



field-adjustable
LED Retrofit Troffer



PROJECT: _____

DATE: _____

TYPE: _____

PREPARED BY: _____



KEY FEATURES

- 100,000-Hour LED lifespan, 0-10V dimming on all models
- Output Power and Color Temperature field-adjustable
- Fast and Simple retrofitting existing fluorescent luminaires
- Optional motion controls available
- Battery backup option provided

TECHNICAL SPECIFICATIONS

COMPLIANCE

UL Listed

Suitable for damp locations, Type IC

IESNA LM79 & LM-80 Testing

PacLights LED luminaires have been tested by an independent laboratory in accordance with IESNA LM-79 and LM-80.

DLC Qualification

Selected models of this product are on the Design Lights Consortium (DLC) Qualified Products List and are eligible for rebates from DLC Member Utilities. To view our DLC qualified products, please consult the DLC Qualified Products List at www.design-lights.org/qpl

LED CHARACTERISTICS

LEDS

Long-life, high-eccacy, surface-mount LEDs

Lifespan

100,000-hour LED lifespan based on IES LM-80 results and TM-21 calculations

Color Rendering Index

>82

Color Uniformity

PacLights' range of Correlated Color Temperature follows the guidelines of the American National Standard for Specifications for the Chromaticity of Solid State Lighting (SSL) Products, ANSI C78.377-2017

ELECTRICAL

Drivers

0-10V Dimmable
Input Voltage: 100-277V, 50-60 Hz
Power Factor : > 0.9

CONSTRUCTION

IP Rating

Suitable for Damp Location

Ambient Temperature

Suitable for 50° C (122° F) ambient temperature

Cold Weather Starting

The minimum starting temperature is -4 F°/-20° C

Housing

Durable cold rolled steel housing provides strength and uniformity. Luminaire is pre-painted to enhanced smooth finish. High-reflectance, powder-coated finish, optimized for uniform distribution

Mounting Methods

Retrofit existing fluorescent troffer luminaires, side/end plated provided as a locking hinge kit.

Green Technology

Mercury and UV free, and RoHS compliant. Powder coat finish formulated without the use of VOC or toxic heavy metals.

Lens

Frosted

OTHER

5-Year Limited Warranty**

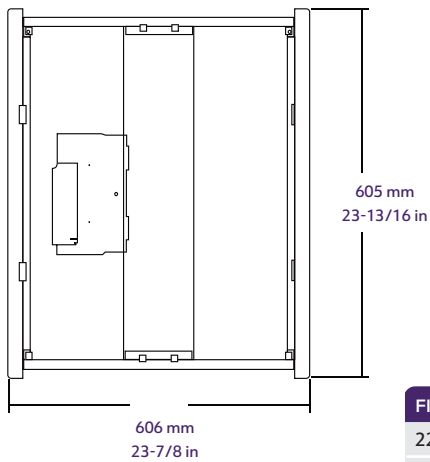
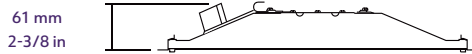
The PacLights 5-year, limited warranty covers light output, driver performance and paint finish.

**PacLights's warranty is subject to all terms and conditions found at paclights.com/warranty

TECHNICAL SPECIFICATIONS Continued

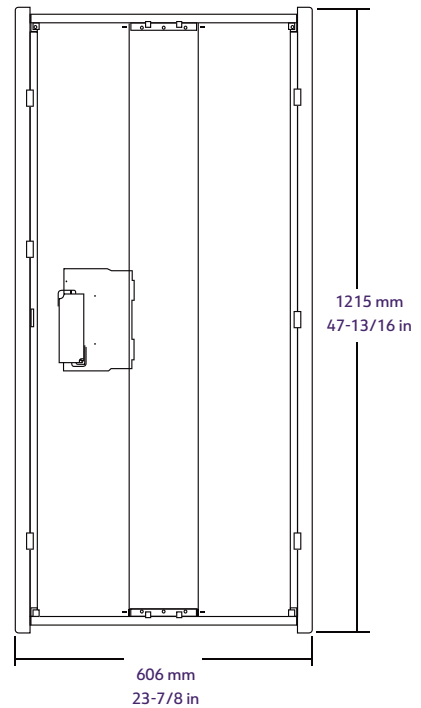
RKTF22D (2ft x 2ft)

Weight 8.7 lbs



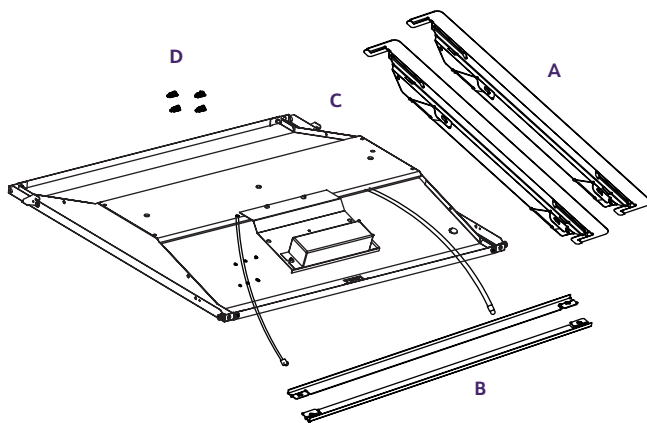
RKTF24D (2ft x 4ft)

Weight 14 lbs



FINISHES	
22D (2x2 ft)	White
24D (2x4 ft)	White

WHAT'S IN THE BOX



IN TH BOX	QTY
A. End Plates	2
B. Side Plates	2
C. Door Assembly Body	1
D. Self-tapping Screws	4

CONTROLS Optional

BI-LEVEL OCCUPANCY CONTROL

Microwave occupancy control detect motions even through plastic, glass and thin non-metal materials. It contains a signature 3-step dimming function, which is perfect for areas that require a light change notice totally switching off the light. Control parameters are adjustable on the sensor.

PERFORMANCE

RKTF™ 22D30 (2x2 Ft)

30W	3500K Warm	4000K Neutral	5000K Daylight
LUMENS	3,780	3,810	3,840
LM/W	126	127	128

25W	3500K Warm	4000K Neutral	5000K Daylight
LUMENS	3,250	3,275	3,300
LM/W	130	131	132

20W	3500K Warm	4000K Neutral	5000K Daylight
LUMENS	2,640	2,660	2,680
LM/W	132	133	134

RKTF™ 22D40 (2x2 Ft)

40W	3500K Warm	4000K Neutral	5000K Daylight
LUMENS	5,040	5,080	5,120
LM/W	126	127	128

35W	3500K Warm	4000K Neutral	5000K Daylight
LUMENS	4,550	4,585	4,620
LM/W	130	131	132

30W	3500K Warm	4000K Neutral	5000K Daylight
LUMENS	3,960	3,990	4,020
LM/W	132	133	134

RKTF™ 24D34 (2x4 Ft)

34W	3500K Warm	4000K Neutral	5000K Daylight
LUMENS	4,318	4,352	4,386
LM/W	127	128	129

30W	3500K Warm	4000K Neutral	5000K Daylight
LUMENS	3,900	3,930	3,960
LM/W	130	131	132

25W	3500K Warm	4000K Neutral	5000K Daylight
LUMENS	3,325	3,350	3,375
LM/W	133	134	135

RKTF™ 24D45 (2x4 Ft)

45W	3500K Warm	4000K Neutral	5000K Daylight
LUMENS	5,805	5,850	5,895
LM/W	129	130	131

38W	3500K Warm	4000K Neutral	5000K Daylight
LUMENS	5,054	5,092	5,130
LM/W	133	134	135

34W	3500K Warm	4000K Neutral	5000K Daylight
LUMENS	4,590	4,624	4,658
LM/W	135	136	137

ORDERING INFORMATION

RKTF™

Family	Model	Options
RKTF		
22 D 30	2ft x 2ft, 30w/25w/20w power adjustable, 3500k/4000k/5000k CCT adjustable	EM Emergency Battery Backup
22 D 40	2ft x 2ft, 40w/35w/30w power adjustable, 3500k/4000k/5000k CCT adjustable	SE Bi-level Occupancy Control
24 D 34	2ft x 4ft, 34w/30w/25w power adjustable, 3500k/4000k/5000k CCT adjustable	
24 D 45	2ft x 4ft, 45w/38w/34w power adjustable, 3500k/4000k/5000k CCT adjustable	