



CCT selectable semi cut off LED Wall Mount

PROJECT: _____

DATE: _____

TYPE: _____

PREPARED BY: _____



KEY FEATURES

- 100,000-Hour LED lifespan, Glass refractor
- 0-10V dimming standard on all models
- Standard photocell control
- Selected models 3000K/4000K/5000K field-selectable
- Emergency backup and Motion Control option provided



*available on selected models

TECHNICAL SPECIFICATIONS

COMPLIANCE

UL Listed

Suitable for wet locations

IESNA LM79 & LM-80 Testing

PacLights LED luminaires have been tested by an independent laboratory in accordance with IESNA LM-79 and LM-80.

DLC Qualification

Selected models of this product are on the Design Lights Consortium (DLC) Qualified Products List and are eligible for rebates from DLC Member Utilities. To view our DLC qualified products, please consult the DLC Qualified Products List at www.design-lights.org/qpl

LED CHARACTERISTICS

LEDS

Long-life, high-efficacy, surface-mount LEDs

Lifespan

100,000-hour LED lifespan based on IES LM-80 results and TM-21 calculations

Color Rendering Index

>80

Beam Angel

110°

Field-selectable Color Temperature

On selected models (-3CCT-), 3000K/4000K/5000K, selectable by a dip switch

Color Uniformity

PacLights' range of Correlated Color Temperature follows the guidelines of the American National Standard for Specifications for the Chromaticity of Solid State Lighting (SSL) Products, ANSI C78.377-2017

OTHER

5-Year Limited Warranty**

The PacLights 5-year, limited warranty covers light output, driver performance and paint finish.

**PacLights's warranty is subject to all terms and conditions found at paclights.com/warranty

CONSTRUCTION

IP Rating

IP 65 Rated

Ambient Temperature

Suitable for up to 50° C (122° F) ambient temperature

Cold Weather Starting

The minimum starting temperature is -40 F°/-40° C

Housing

Die-cast aluminum housing

Gaskets

Silicon Gaskets

Finish

Our environmentally friendly polyester powder coatings are formulated for high-durability and long-lasting color, and contain no VOC or toxic heavy metals.

Mounting Methods

Surface mounting

Green Technology

Mercury and UV free, and RoHS compliant. Polyester powder coat finish formulated without the use of VOC or toxic heavy metals.

Refractor

Borosilicate glass

ELECTRICAL

Drivers

0-10V Dimmable
Input Voltage: 120-277V, 50-60 Hz
Power Factor > 0.9; THD <15%

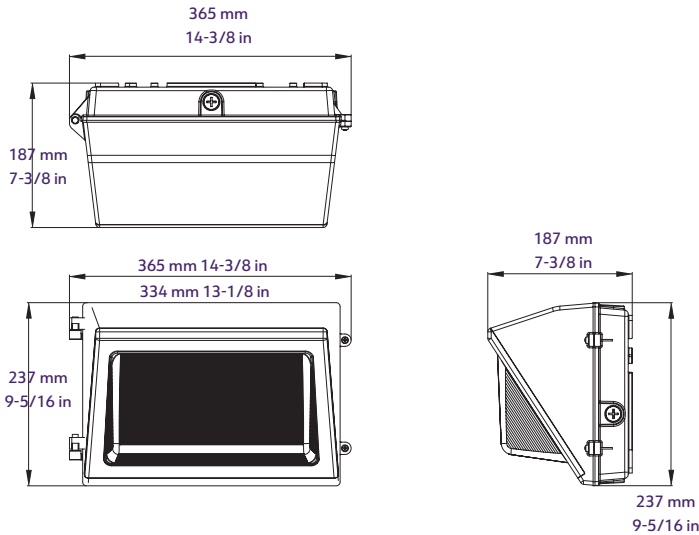
Photocell Control

Pre-installed sensor, dusk-to-dawn on-and-off operation, 15±5 lux ON, 45±5 lux OFF.

TECHNICAL SPECIFICATIONS Continued

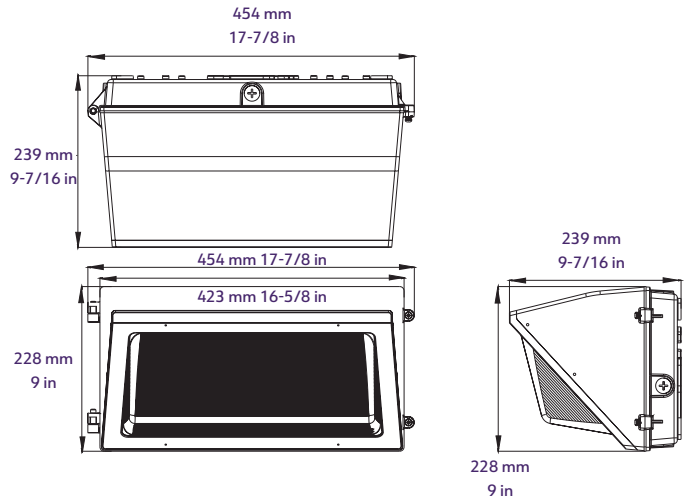
FWPT/2 - 029/040/060/080/100/120

Weight 8 lbs



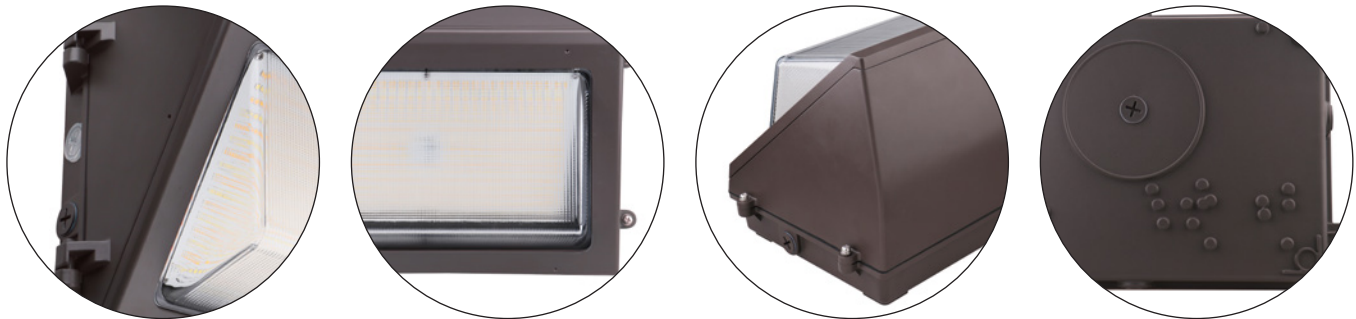
FWPT/2 - 100L/120L/150L (extended size)

Weight 11.5 lbs



FINISHES

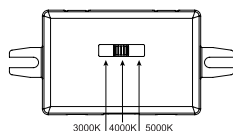
all models Dark Bronze



CCT SELECTABLE on selected models

CCT SELECTABLE ON FIXTURE

Selected models (-3CCT-) are equipped with color temperature settings ranging from: 3000K (Warm White), 4000K (Neutral White) and 5000K (Daylight). Simply use the switch directly on the fixture to select the desired color temperature and then install. Selectable color temperature technology removes the guesswork of choosing the correct color temperature for your space. Select 3000K in applications requiring warm and inviting light, select 4000K for a slightly cooler light appearance, select 5000K in areas requiring bright, crisp light.



* the dip switch is located inside of the fixture, its appearance may vary

CONTROLS

PHOTOCONTROL standard

Photocell Control allows ON/OFF switching the luminaries, to be determined by the amount of daylight present. Specified low light levels at dusk will turn lights ON. When sufficient daylight returns at dawn, the lights automatically turn OFF. Automatic lighting controls save energy.

BI-LEVEL MOTION CONTROL optional

Bi-level Motion Control uses passive infrared sensing strategies option (up to 18ft) to provide the ability of sensing occupancy or vacancy on luminaries, to bi-level dimming and automatically turn ON and OFF the lighting fixture. Or, select microwave sensing strategies option to provide extended range of sensing (up to 60ft).

ACCESSORIES optional

EMERGENCY BATTERY BACKUP

Emergency Battery Backup generates a bright illumination even in emergency environments, such as power outages, blackouts, and fires, thanks to its UL924 approved battery for backup lighting. In addition, with intelligent emergency detection function automatically, it can provide 90 minutes ~ 180 minutes continuously work time under power-off mode.

SECONDARY SURGE PROTECTOR

Secondary surge protector can act as the second line of defense, in addition to the LED driver's integrated lightning arrester.

GLARE SHIELD or WIREGUARD

PERFORMANCE

FWPT/2 - 029

29W	3000K Warm white	4000K Neutral	5000K Daylight
LUMENS	4,205	4,234	4,263
LM/W	145	146	147

FWPT/2 - 040

40W	3000K Warm white	4000K Neutral	5000K Daylight
LUMENS	5,760	5,800	5,840
LM/W	144	145	146

FWPT/2 - 060

60W	3000K Warm white	4000K Neutral	5000K Daylight
LUMENS	8,640	8,700	8,760
LM/W	144	145	146

FWPT/2 - 080

80W	3000K Warm white	4000K Neutral	5000K Daylight
LUMENS	11,840	11,920	12,000
LM/W	148	149	150

FWPT/2 - 100 / 100L

100W	3000K Warm white	4000K Neutral	5000K Daylight
LUMENS	14,300	14,400	14,500
LM/W	143	144	145

FWPT/2 - 120 / 120L

120W	3000K Warm white	4000K Neutral	5000K Daylight
LUMENS	17,520	17,640	17,760
LM/W	146	147	148

FWPT/2 - 150L

150W	3000K Warm white	4000K Neutral	5000K Daylight
LUMENS	21,900	22,050	22,200
LM/W	146	147	148

ORDERING INFORMATION

FWPT™ generation 2

Family	Model	Color Temp	Options																						
FWPT/2	<table border="0"> <tr> <td>029 29w</td> <td>100L 100w, extended size</td> </tr> <tr> <td>040 40w</td> <td>120L 120w, extended size</td> </tr> <tr> <td>060 60w</td> <td>150L 150w, extended size</td> </tr> <tr> <td>080 80w</td> <td></td> </tr> <tr> <td>100 100w</td> <td></td> </tr> <tr> <td>120 120w</td> <td></td> </tr> </table>	029 29w	100L 100w, extended size	040 40w	120L 120w, extended size	060 60w	150L 150w, extended size	080 80w		100 100w		120 120w		<table border="0"> <tr> <td>30 3000K (warm white)</td> </tr> <tr> <td>40 4000K (neutral)</td> </tr> <tr> <td>50 5000K (daylight)</td> </tr> <tr> <td>3CCT 3000/4000/5000K Selectable</td> </tr> </table>	30 3000K (warm white)	40 4000K (neutral)	50 5000K (daylight)	3CCT 3000/4000/5000K Selectable	<table border="0"> <tr> <td>SP secondary surge protector</td> </tr> <tr> <td>MC motion control (PIR)</td> </tr> <tr> <td>MW motion control (microwave)</td> </tr> <tr> <td>EM emergency battery backup</td> </tr> <tr> <td>GS glare shield</td> </tr> <tr> <td>WG wireguard</td> </tr> </table>	SP secondary surge protector	MC motion control (PIR)	MW motion control (microwave)	EM emergency battery backup	GS glare shield	WG wireguard
029 29w	100L 100w, extended size																								
040 40w	120L 120w, extended size																								
060 60w	150L 150w, extended size																								
080 80w																									
100 100w																									
120 120w																									
30 3000K (warm white)																									
40 4000K (neutral)																									
50 5000K (daylight)																									
3CCT 3000/4000/5000K Selectable																									
SP secondary surge protector																									
MC motion control (PIR)																									
MW motion control (microwave)																									
EM emergency battery backup																									
GS glare shield																									
WG wireguard																									