

FVTB™

generation 2

Vapor Tight Strip

2' | 4' | 8'



KEY FEATURES

- Power and color selectable
- IP66, NEMA 4X, IK10 and 5VA flame rated
- Available in 2ft, 4ft and 8ft length
- Integral sensor and wireless lighting control options
- Emergency battery backup option

APPLICATIONS

Ideal for parking garages, stairwells, car washes, food processing facilities, and other wet, damp, dusty, or harsh environments.



optional integral lighting control

TECHNICAL SPECIFICATIONS

COMPLIANCE

UL Listed

UL 1598 Suitable for wet locations, UL 94 5VA flame classification.

IESNA LM79 & LM-80 Testing

Paclights LED luminaires have been tested by an independent laboratory in accordance with IESNA LM-79 and LM-80.

NSF Certified

Conform to the requirements of NSF/ANSI 2 - Food Equipment

PHOTOMETRIC CHARACTERISTICS

LEDS

Long-life, high-efficacy LEDs

Correlated Color Temperature

3500K, 4000K, or 5000K CCT, adjustable with dip-switch on selected models

Lifespan

100,000-hour lifespan (L70) or 50,000-hour LED lifespan (L80) based on IES LM-80 results and TM-21 calculations

Color Rendering Index

80+ CRI

Beam Angle

120°

OTHER

5-Year Limited Warranty**

The PacLights 5-year, limited warranty covers light output, driver performance and paint finish.

**PacLights's warranty is subject to all terms and conditions found at paclights.com/warranty

CONSTRUCTION

IP Rating

Ingress Protection rating of IP66 for dust and water

Ambient Temperature / Cold Weather Starting

Suitable for up to 50° C (122° F) ambient temperature. The minimum starting temperature is -4 F°/-20° C

Housing

Non-Corrosive (PC) Polycarbonate housing.
NEMA 4X; IK10 Rated. Stainless Steel spec grade hasps and clips.

Lens

Frosted

Mounting Methods

- Surface mount
- Suspension: Chain mount, v-hooks included (chains order separately, see page 3)
- Suspension: Cable mount (cables order separately, see page 3)

ELECTRICAL

Driver

Input Voltage: 120-277V, 50-60 Hz. Power Factor : > 0.9
0-10V continuous dimming, can be dim to 10% and off

Wattage can be adjusted by dip-switch, on selected models, to:

- 26w / 21w / 17w on FVTB/2-2D-26/21/17 models
- 40w / 34w / 26w on FVTB/2-4D-40/34/26 models
- 68w / 52w / 42w on FVTB/2-4D-68/52/42 models
- 80w / 68w / 52w on FVTB/2-8D-80/68/52 models

Input Current:

FVTB/2-2D-26/21/17 : 0.22A (120v); 0.13A (208v); 0.11A (240v); 0.10A (277v).
FVTB/2-4D-40/34/26: 0.33A (120v); 0.19A (208v); 0.17A (240v); 0.14A (277v).
FVTB/2-4D-68/52/42: 0.57A (120v); 0.33A (208v); 0.28A (240v); 0.25A (277v).
FVTB/2-8D-80/68/52: 0.67A (120v); 0.38A (208v); 0.33A (240v); 0.29A (277v).

ORDERING INFORMATION

ORDERING CODE

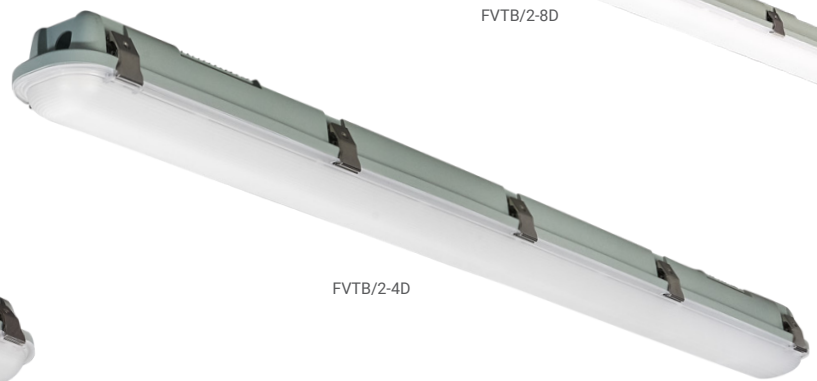
Create an ordering code by selecting the option(s) listed in the tables below, following the format shown. If an option that includes related accessories is selected in the ordering code, those accessories will be included. Any additional accessories are sold separately and must be ordered using their respective part numbers. Lead times will vary depending on options selected. Consult with your sales representative.

EXAMPLE: FVTB/2 - 2D - 26/21/17 - EM500
 FVTB/2 - 4D - 40 - 4000 - MCD
 FVTB/2 - 8D - 80/68/52

Ordering Number			
FVTB/2	-	-	-
Series	Model	Wattage	Color Temperature
FVTB LED Vapor Tight Strip Light generation 2	2D 2' length	26/21/17 † Wattage Selectable, 26/21/17w	(BLANK) CCT Selectable, 3500K/4000K/5000K
	4D 4' length	40/34/26 † Wattage Selectable, 40/34/26w	3500 3500K
	8D 8' length	68/52/42 † Wattage Selectable, 68/52/42w	4000 4000K
		80/68/52 † Wattage Selectable, 80/68/52w	5000 5000K
		xx † Fixed Wattage replace "xx" with a model-available wattage	

Ordering Number (continued)			
-	-	-	-
Control	*spec see page 3	Emergency Battery Backup	
(BLANK) None		(BLANK) None	
MCD Bi-level motion dimming & daylight (harvesting) sensor control microwave motion & daylight sensor (Standalone)		EM500 † 500 lumen, 4w, 90 minutes California CEC Title 20 Compliant	
WGM † GEBC™ bluetooth networked lighting sensor control node w/ microwave motion & daylight sensor (NLC)		EM1000 † 1,000 lumen, 8w, 90 minutes California CEC Title 20 Compliant	
WBM † Keilton+Autani™ bluetooth networked lighting sensor control node w/ microwave motion & daylight sensor (NLC)		EM1800 † 1,800 lumen, 15w, 90 minutes California CEC Title 20 Compliant	
WBN † Keilton+Autani™ bluetooth networked lighting control node only, no sensor (NLC)		EM2500 † 2,500 lumen, 20w, 90 minutes California CEC Title 20 Compliant	

† Option Value Ordering Restrictions		
Option	Option Value	Ordering Restrictions
Wattage	26/21/17	only available with Model: 2D
	40/34/26	only available with Model: 4D
	68/52/42	only available with Model: 4D
	80/68/52	only available with Model: 8D
	xx	replace "xx" with a model-available wattage: 26, 21, or 17 with Model: 2D. 68, 52, 42, 40, 34 or 26 with Model: 4D. 80, 68, or 52 with Model: 8D.
Emergency Battery Backup	EM500	only available with Model: 2D or 4D
	EM1000	only available with Model: 4D or 8D
	EM1800	only available with Model: 4D or 8D
	EM2500	only available with Model: 4D or 8D



ACCESSORIES

Accessories can be ordered separately using their respective part numbers.

Suspension Mount	Part Number	Type
Chains	AC-SLE-CN	Including a pair of 36" chains for suspended mounting applications. A pair of chains is required for FVTB/2-2D and 4D models, while FVTB/2-8D models may require three chains depending on configuration.
Aircraft Cables	AC-LHB-ACS	Including a pair of 120" aircraft cables for suspended mounting applications. A pair of suspension cables is required for FVTB/2-2D and 4D models, while FVTB/2-8D models may require three cables depending on configuration.

PERFORMANCE

Model	Lumen Package	Wattage Setting	CCT Setting	Lumen Output	Model	Lumen Package	Wattage Setting	CCT Setting	Lumen Output
Delivered Lumens, 80 CRI 4 FVTB-4D	10,000	68w	3500K	10,290	Delivered Lumens, 80 CRI 2 FVTB-2D	4,000	26w	3500K	4,050
			4000K	10,610				4000K	4,200
			5000K	10,450				5000K	4,160
	8,000	52w	3500K	8,230		3500K	3,230		
			4000K	8,480		4000K	3,360		
			5000K	8,360		5000K	3,330		
	6,500	42w	3500K	6,700	2,500	17w	3500K	2,530	
			4000K	6,910	4000K		2,630		
			5000K	6,800	5000K		2,610		
	6,000	40w	3500K	6,180	Delivered Lumens, 80 CRI 8 FVTB-8D	12,000	80w	3500K	12,350
			4000K	6,370				4000K	12,730
			5000K	6,270				5000K	12,540
5,100	34w	3500K	5,250	10,000		68w	3500K	10,290	
		4000K	5,410				4000K	10,610	
		5000K	5,330				5000K	10,450	
4,000	26w	3500K	4,120	8,000		52w	3500K	8,230	
		4000K	4,240				4000K	8,480	
		5000K	4,180				5000K	8,360	

CONTROLS

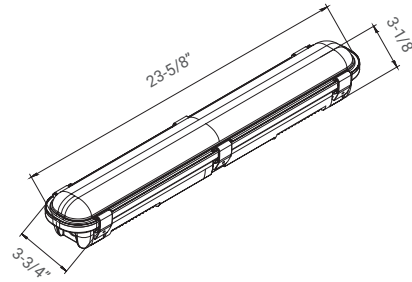
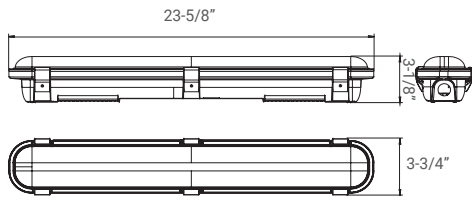
Controls are factory installed; select the corresponding control option code in the ordering code. See page 2.

Controls	Control Option Code	Type	Specifications
Standalone	MCD		Features: occupancy bi-level dimming, daylight threshold, daylight harvesting. Sensors: microwave occupancy (up to 13' height, 17' radius) & daylight (harvesting). Settings (*=default): sensitivity (20/50/75/100*), hold time (10s*/1/5/15min), daylight threshold (10/30*/50 lux, or disable), stand-by time (1/30/60*min or infinity), stand-by dim (0/10/30*/50%). adjustable by dip-switches on the sensor, or commissioning remote.
	-		Sensor commissioning remote (optional, order separately) Part# SE-BC-RC-100 Simplifies sensor setting management in large lighting projects.
Bluetooth Networked (NLC)	WGM	 	Compatible with GEBC™ Bluetooth Networked Controls. Features: on & off, dim, trim, zone, group, scene & schedule, etc. Sensors: microwave occupancy & daylight (harvesting).
	WBM	 	Compatible with Keilton+Autani™ Bluetooth Networked Controls. Features: on & off, dim, trim, zone, group, scene & schedule, etc. Sensors: microwave occupancy & daylight (harvesting).
	WBN	 	Compatible with Keilton+Autani™ Bluetooth Networked Controls. Features: on & off, dim, trim, zone, group, scene & schedule, etc. Sensors: none

DIMENSIONS

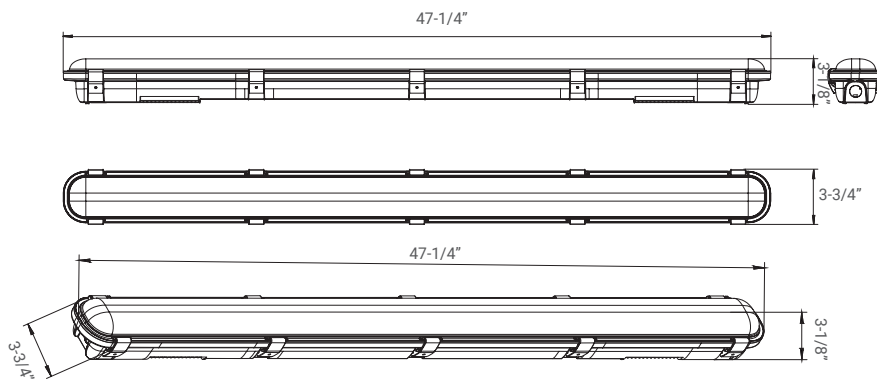
FVTB/2-2D

2



FVTB/2-4D

4



FVTB/2-8D

8

