

FSWE™

generation 2

Wrap Light

2' | 4' | 8'

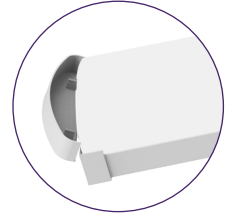


KEY FEATURES

- Low-glare, uniform illumination
- Power and color selectable
- Available in 2ft, 4ft and 8ft length
- Integral sensor and wireless lighting control options
- Emergency battery backup option

APPLICATIONS

Ideal for offices, schools, stairwells, hallways, utility rooms, storage areas, and other spaces requiring uniform, low-glare general illumination.



tool-less lens removal and replacement

TECHNICAL SPECIFICATIONS

COMPLIANCE

UL Listed

UL 1598 Suitable for damp locations

IESNA LM79 & LM-80 Testing

PacLights LED luminaires have been tested by an independent laboratory in accordance with IESNA LM-79 and LM-80.

PHOTOMETRIC CHARACTERISTICS

LEDs

Long-life, high-efficacy LEDs

Correlated Color Temperature

3000K, 3500K, 4000K, 5000K or 6500K CCT, adjustable on selected models

Lifespan

100,000-hour lifespan (L70) or 50,000-hour LED lifespan (L80) based on IES LM-80 results and TM-21 calculations

Color Rendering Index

80+ CRI

Beam Angle

120°

OTHER

5-Year Limited Warranty**

The PacLights 5-year, limited warranty covers light output, driver performance and paint finish.

**PacLights's warranty is subject to all terms and conditions found at paclights.com/warranty

CONSTRUCTION

Ambient Temperature / Cold Weather Starting

Suitable for up to 50° C (122° F) ambient temperature. The minimum starting temperature is -4 F°/-20° C

Housing

Durable cold rolled steel housing provides strength and uniformity. Luminaire is pre-painted to enhanced smooth finish.

Lens

Frosted Polycarbonate

Mounting Methods

- Surface mount (standard)
- Suspended mount, with aircraft cable (optional)
- Continuous run (optional)

ELECTRICAL

Driver

Input Voltage: 120-277V, 50-60 Hz. Power Factor : > 0.9
0-10V continuous dimming, can be dim to 10% and off

Wattage can be adjusted by a dip-switch on selected models, to:

- 25w / 20w / 16w / 12w on FSWE/2-2D models
- 46w / 38w / 31w / 24w on FSWE/2-4D models
- 72w / 64w / 50w / 38w on FSWE/2-8D models

Input Current:

FSWE/2-2D: 0.21A (120v); 0.12A (208v); 0.10A (240v); 0.09A (277v).
FSWE/2-4D: 0.38A (120v); 0.22A (208v); 0.19A (240v); 0.17A (277v).
FSWE/2-8D: 0.60A (120v); 0.35A (208v); 0.30A (240v); 0.26A (277v).

Continuous Run, maximum length:

14 AWG (Internal through wiring): 120 ft @ 120v, 288 ft @ 277v
12 AWG (Internal through wiring): 164 ft @ 120v, 384 ft @ 277v

ORDERING INFORMATION

ORDERING CODE

Create an ordering code by selecting the option(s) listed in the tables below, following the format shown. If an option that includes related accessories is selected in the ordering code, those accessories will be included. Any additional accessories are sold separately and must be ordered using their respective part numbers. Lead times will vary depending on options selected. Consult with your sales representative.

EXAMPLE: FSWE/2 - 2D - 20 - EM500
 FSWE/2 - 4D - 31 - 3000 - MCM
 FSWE/2 - 8D

Ordering Number			
FSWE/2	-	-	-
Series	Model	Wattage	Color Temperature
FSWE LED Wrap Light generation 2	2D 2' length	(BLANK) Wattage Selectable 25/20/16/12w on model: 2D 46/38/31/24w on model: 4D 72/64/50/38w on model: 8D	(BLANK) CCT Selectable 3000K/3500K/4000K/5000K/6500K
	4D 4' length		3000 3000K
	8D 8' length		3500 3500K
		xx † Single Wattage replace "xx" with a model-available wattage	4000 4000K
			5000 5000K
			6500 6500K

Ordering Number (continued)			
-	-	-	-
Control	*spec see page 3	Emergency Battery Backup	
(BLANK) None		(BLANK) None	
MCD Bi-level motion dimming & daylight (harvesting) sensor control microwave motion & daylight sensor (Standalone)		EM500 † 500 lumen, 4w, 90 minutes California CEC Title 20 Compliant	
WGM † GEBC™ bluetooth networked lighting sensor control node w/ microwave motion & daylight sensor (NLC)		EM1000 † 1,000 lumen, 8w, 90 minutes California CEC Title 20 Compliant	
WBM † Keilton+Autani™ bluetooth networked lighting sensor control node w/ microwave motion & daylight sensor (NLC)		EM1800 † 1,800 lumen, 15w, 90 minutes California CEC Title 20 Compliant	
WBN † Keilton+Autani™ bluetooth networked lighting control node only, no sensor (NLC)		EM2500 † 2,500 lumen, 20w, 90 minutes California CEC Title 20 Compliant	

† Option Value Ordering Restrictions		
Option	Option Value	Ordering Restrictions
Wattage	xx	replace "xx" with a model-available wattage: 25, 20, 16 or 12 with Model: 2D. 46, 38, 31 or 24 with Model: 4D. 72, 64, 50 or 38 with Model: 8D.
Emergency Battery Backup	EM500	only available with Model: 2D or 4D
	EM1000	only available with Model: 4D or 8D
	EM1800	only available with Model: 4D or 8D
	EM2500	only available with Model: 4D or 8D



ACCESSORIES

Accessories can be ordered separately using their respective part numbers.

Suspension Mount	Part Number	Type	Application
Aircraft Cable Suspension Kit	AC-SWE-2AC		Including aircraft cables and wiring box for suspended mounting applications.
Continuous Run	Part Number	Type	Application
Continuous Run Connecting Bracket	AC-SWE-2CB		Align and secure two FSWE/2 fixtures in continuous runs (electrical wiring harnesses not included), for either surface mount or suspended mount applications.

PERFORMANCE

	Model	Lumen Package	Length	Wattage	CCT Setting	Lumen Output
Delivered Lumens, 80+ CRI	FSWE/2-2D	3,500 lm 2,800 lm 2,200 lm 1,600 lm	2 ft	25 / 20 / 16 / 12w	3000K	3,125 / 2,500 / 2,000 / 1,500 lm
					3500K	3,375 / 2,700 / 2,160 / 1,620 lm
					4000K	3,500 / 2,800 / 2,240 / 1,680 lm
					5000K	3,500 / 2,800 / 2,240 / 1,680 lm
					6500K	3,250 / 2,600 / 2,080 / 1,560 lm
	FSWE/2-4D	6,400 lm 5,500 lm 4,600 lm 3,700 lm	4 ft	46 / 38 / 31 / 24w	3000K	5,750 / 4,940 / 4,185 / 3,360 lm
					3500K	6,210 / 5,320 / 4,495 / 3,600 lm
					4000K	6,440 / 5,510 / 4,650 / 3,720 lm
					5000K	6,440 / 5,510 / 4,650 / 3,720 lm
					6500K	5,980 / 5,130 / 4,340 / 3,480 lm
	FSWE/2-8D	10,000 lm 8,900 lm 7,000 lm 5,300 lm	8 ft	72 / 64 / 50 / 38w	3000K	9,000 / 8,000 / 6,250 / 4,750 lm
					3500K	9,720 / 8,640 / 6,750 / 5,130 lm
					4000K	10,080 / 8,960 / 7,000 / 5,320 lm
					5000K	10,080 / 8,960 / 7,000 / 5,320 lm
					6500K	9,360 / 8,320 / 6,500 / 4,940 lm



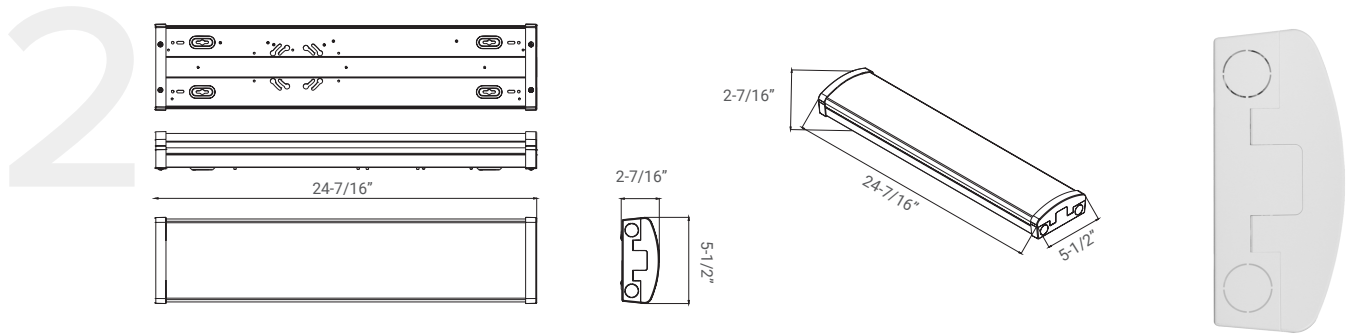
CONTROLS

Controls are factory installed; select the corresponding control option code in the ordering code. See page 2.

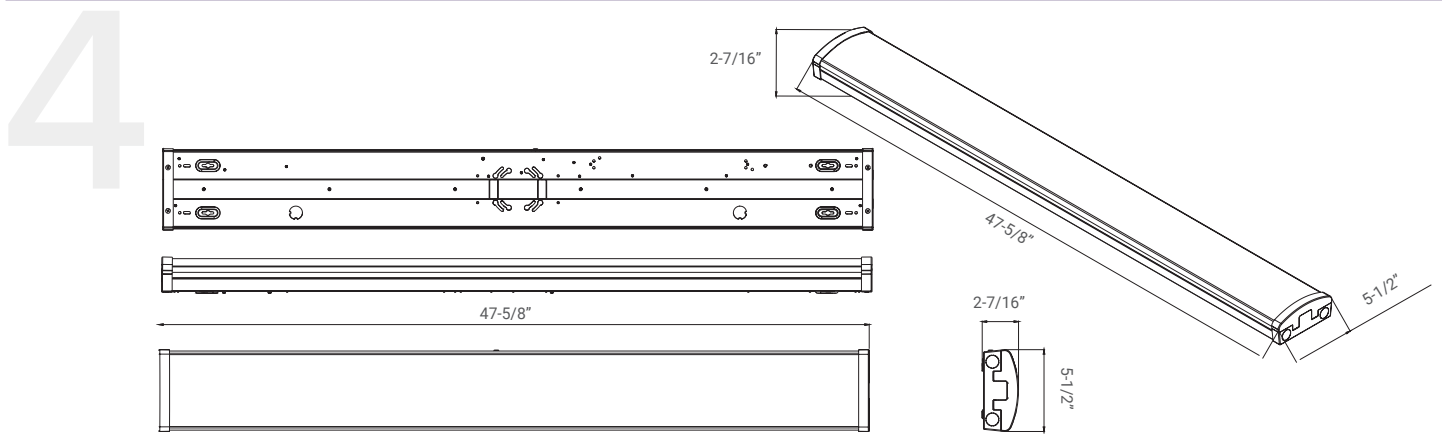
Controls	Control Option Code	Type	Specifications
Standalone	MCD		Features: occupancy bi-level dimming, daylight threshold, daylight harvesting. Sensors: microwave occupancy (up to 13' height, 17' radius) & daylight (harvesting). Settings (*=default): sensitivity (20/50/75/100%), hold time (10s*/1/5/15min), daylight threshold (10/30*/50 lux, or disable), stand-by time (1/30/60*min or infinity), stand-by dim (0/10/30*/50%). adjustable by dip-switches on the sensor, or commissioning remote.
	-		Sensor commissioning remote (optional) Part# SE-BC-RC-100 Simplifies sensor setting management in large lighting projects.
Bluetooth Networked (NLC)	WGM	 	Compatible with GEBEC™ Bluetooth Networked Controls. Features: on & off, dim, trim, zone, group, scene & schedule, etc. Sensors: microwave occupancy & daylight (harvesting).
	WBM	 	Compatible with Keilton+Autani™ Bluetooth Networked Controls. Features: on & off, dim, trim, zone, group, scene & schedule, etc. Sensors: microwave occupancy & daylight (harvesting).
	WBN	 	Compatible with Keilton+Autani™ Bluetooth Networked Controls. Features: on & off, dim, trim, zone, group, scene & schedule, etc. Sensors: none

DIMENSIONS

FSWE/2-2D



FSWE/2-4D



FSWE/2-8D

