

The

**FSWE**TM
Series

ECO LED Wrap Light





ECO LED Wrap Light



PROJECT: _____

DATE: _____

TYPE: _____

PREPARED BY: _____



KEY FEATURES
Power and Color Selectable on all models
Durable PMMA lens, excellent glare reduction for visual comfort
Surface Mount or Suspended Mount with optional accessory
Controls Options - motion, daylight or network controls
Optional Emergency Battery Backup

TECHNICAL SPECIFICATIONS

Compliance

UL Listed

UL 1598 Suitable for damp locations

IESNA LM79 & LM-80 Testing

Paclights LED luminaires have been tested by an independent laboratory in accordance with IESNA LM-79 and LM-80.

DLC Qualification

Selected models of this product are on the Design Lights Consortium (DLC) Qualified Products List and are eligible for rebates from DLC Member Utilities. To view our DLC qualified products, please consult the DLC Qualified Products List at www.design-lights.org/qpl

LED Characteristics

LEDs

Long-life, high-efficacy, surface-mount LEDs

LEDs Lifespan

100,000-hour LED lifespan based on IES LM-80 results and TM-21 calculations.

Lumen Maintenance

L70 ≥ 100,000 hours

Color Rendering Index

>82

Correlated Color Temperature

3500/4000/5000K selectable

Color Uniformity

PacLights' range of Correlated Color Temperature follows the guidelines of the American National Standard for Specifications for the Chromaticity of Solid State Lighting (SSL) Products, ANSI C78.377

Construction

Ambient Temperature

Suitable for up to 50° C (122° F) ambient temperature

Cold Weather Starting

The minimum starting temperature is -4 F°/-20° C

Housing

Durable cold rolled steel housing provides strength and uniformity. Luminaire is pre-painted to enhanced smooth finish.

Mounting Methods

- Surface mount (standard)
- Suspended mount (optional)

Green Technology

Mercury and UV free, and RoHS compliant. Polyester powder coat finish formulated without the use of VOC or toxic heavy metals.

Lens

Frosted PMMA lens

Electrical

LED Driver

Designed to last ≥50,000 hours when at allowable operating temperature

Input Voltage: 120-277v AC, 50-60 Hz

Wattage: 48w / 40w / 32w selectable

Nominal current: 0.45A (120v), 0.25A (208v), 0.23A (240v), 0.19A (277v)

0-10V dimming (dim to off); Power Factor > 0.95; THD < 10%

Other

5-Year Limited Warranty**

The PacLights 5-year, limited warranty covers light output, driver performance and paint finish.

**PacLights's warranty is subject to all terms and conditions found at paclights.com/warranty

ORDERING INFORMATION

FSWE™

FAMILY MODEL MOUNT CONTROL EMERGENCY BACKUP OTHER



EXAMPLE

FSWE-4D
 FSWE-4D-6FTAC-P5_15P
 FSWE-4D-AC-MCD-EM500

MODEL * MUST SELECT ONE

CODE	LENGTH	WATTAGE SELECTABLE	CCT SELECTABLE
4D	4'	48/40/32W	3500/4000/5000K

MOUNTS * LEAVE BLANK (surface mount standard), or SELECT ONE

CODE	PARTS SKU	TYPE	INSTALL
AC	AC-SLE-AC	Aircraft Cable Kit, adjustable up to 120"	FIELD

CONTROL * LEAVE BLANK, or SELECT ONE

CODE	TYPE	PARTS SKU	SENSOR	MOUNT	INSTALL
MCD	Standalone	SE-BC-ANT7	Bi-level Microwave Motion & Daylight Harvesting	Internal	FACTORY
WBN	Bluetooth Networked	KEILTON-FA102	N/A	Internal	FACTORY
WBM		KEILTON-FA102 KEILTON-MWS105	Microwave Motion & Daylight	Internal	FACTORY

* all control options require auxiliary power supply - Part# TM-PSC-AC-PP-400

EMERGENCY BATTERY BACKUP * LEAVE BLANK, or SELECT ONE

CODE	PARTS SKU	WATT	EMERGENCY LUMEN	CA CEC TITLE 20 MODEL#	EMERGENCY RUNTIME	INSTALL
EM500	EMB-4	4w	500 Lumen	BLD-FM04E-600400	> 90 mins	FACTORY
EM1000	EMB-8	8w	1,000 Lumen	BLD-CM20N-480800-8W		
EM1800	EMB-15	15w	1,800 Lumen	BLD-CM20N-480800-15W		
EM2500	EMB-20	20w	2,500 Lumen	BLD-CM20N-YYY		

OTHER * LEAVE BLANK or SELECT ONE from each category (connects with "-")

Cord * can be ordered in multiple of 6', such as 12FTAC, 18FTAC, etc.

CODE	PARTS SKU	TYPE	COMPATIBLE	INSTALL
6FTAC	OS-GL-ES-183-SJT-W-72	6' cord, 3-wires (L/N/G)	Standard Models	FACTORY
6FTAD	OS-GL-ES-185-SJT-W-72	6' cord, 5-wires (L/N/G and 0-10v dimming)		
6FTACS	OS-GL-ES-184-SJT-W-72	6' cord, 4-wires (L/N/G and Switch)	Emergency Backup Models	
6FTADS	OS-GL-ES-186-SJT-W-72	6' cord, 6-wires (L/N/G, Switch and 0-10v dimming)		

Plug

CODE	PARTS SKU	TYPE	Voltage	COMPATIBLE	INSTALL
P5_15P	PLUG-5-15P	5-15P Plug	120v	Standard Models	FACTORY
PL7_15P	PLUG-L7-15P	L7-15P Twist Lock Plug	277v	Standard Models	

PERFORMANCE

Model	Lumen Package	Wattage Setting	CCT Setting	Lumen Output
Delivered Lumens, 82 CRI FSWE-4D	4,000	32w	3500K	3,872
			4000K	3,936
			5000K	3,904
	4,800	40w	3500K	4,720
			4000K	4,800
			5000K	4,760
	5,600	48w	3500K	5,520
			4000K	5,616
			5000K	5,568

STANDARD FEATURES

Field Selectable Power & Color



Select the desired output power by sliding the respective wattage Dip Switch to 48w, 40w or 32w, and/or color selection Dip Switch to 3500/4000/5000K, for different lumen or color outputs. Outputs can be changed before, during and after installation.

DLC CHART

Selected models of this product are on the Design Lights Consortium (DLC) Qualified Products List and are eligible for rebates from DLC Member Utilities. To view our DLC qualified products, please consult the DLC Qualified Products List at www.designlights.org/qpl

DLC Primary use designation: Direct Linear Ambient Luminaires



MODEL#	CLASS	DLC PRODUCT ID
FSWE-4D-(MCx/WBx, EMx, Blank, Both)	Standard	S-1TG4FG

CONTROL Options

Microwave Bi-level Motion & Daylight Harvesting Control (option: -MCD)



Microwave occupancy sensors can detect motion even through plastic, glass, and thin non-metal materials. They can be mounted as high as 20 feet and feature a signature three-step dimming function, ideal for areas that need a gradual change in lighting before completely turning off. An optional daylight harvesting function reduces electric lighting in building interiors when natural daylight is available. Control parameters can be adjusted with the dip switches on the sensor, or an optional wireless commissioning device.



SE-BC-ANT7
(factory installed)



SE-BC-RC-100

Optional wireless commissioning device can be purchase separately to access extra sensor settings than the dip switches on the sensor.

Control Option: -MCD Sensor Specification

Sensitivity	20%/50%/75%/100%*
Hold Time (before dim)	10s*/1min/5min/15min
Daylight Threshold	10/30*/50 Lux, or Disable
Daylight Harvesting#	Set to desired light level, Enable/Disable*
Stand-by Time(before turn off)	1min/30min/60min*, or Never
Stand-by Dimming Level	10%/30%*/50%
Detection Height	up to 20ft
Detection Radius	up to 25ft

*default setting
#SE-BC-RC-100 commissioning remote device is required to enable daylight harvesting function

Networked Lighting Control (option: -WBN / -WBM)



Network Lighting Controls (NLC) offer Luminaire Level Lighting Control (LLLC) based on Bluetooth-enabled Mesh Networking of Luminaires. Individual addressability enables luminaires to be communicated with each other within the zone/network. Luminaires can be grouped, trim and controlled by using the smart device app or connected wall switches. Scheduling, scene and sensors can be added for automation among the lights within the zone/group.

- **(-WBN)** Wireless bluetooth networked control (node only)
SKU: KEILTON-FA102
- **(-WBM)** Wireless bluetooth networked control with microwave occupancy and daylight sensor
SKU: KEILTON-FA102 & KEILTON-MWS105



KEILTON-FA102
(factory installed)



KEILTON-MWS105
(factory installed)



iOS/Andriod APP will be used to commissioning or customize settings networked controls.

Learn more, visit
www.PacLights.com/NLC/

EMERGENCY BACKUP Options

Emergency Battery Backup (option: -EM500 / -EM1000 / -EM1800 / -EM2500)



FSWE series emergency backup models save time and cost in the installation. When there is a power outage, the emergency backup driver and battery will power the FSWE to a brightness of up to 2,500 lumen for at least 90 mins.

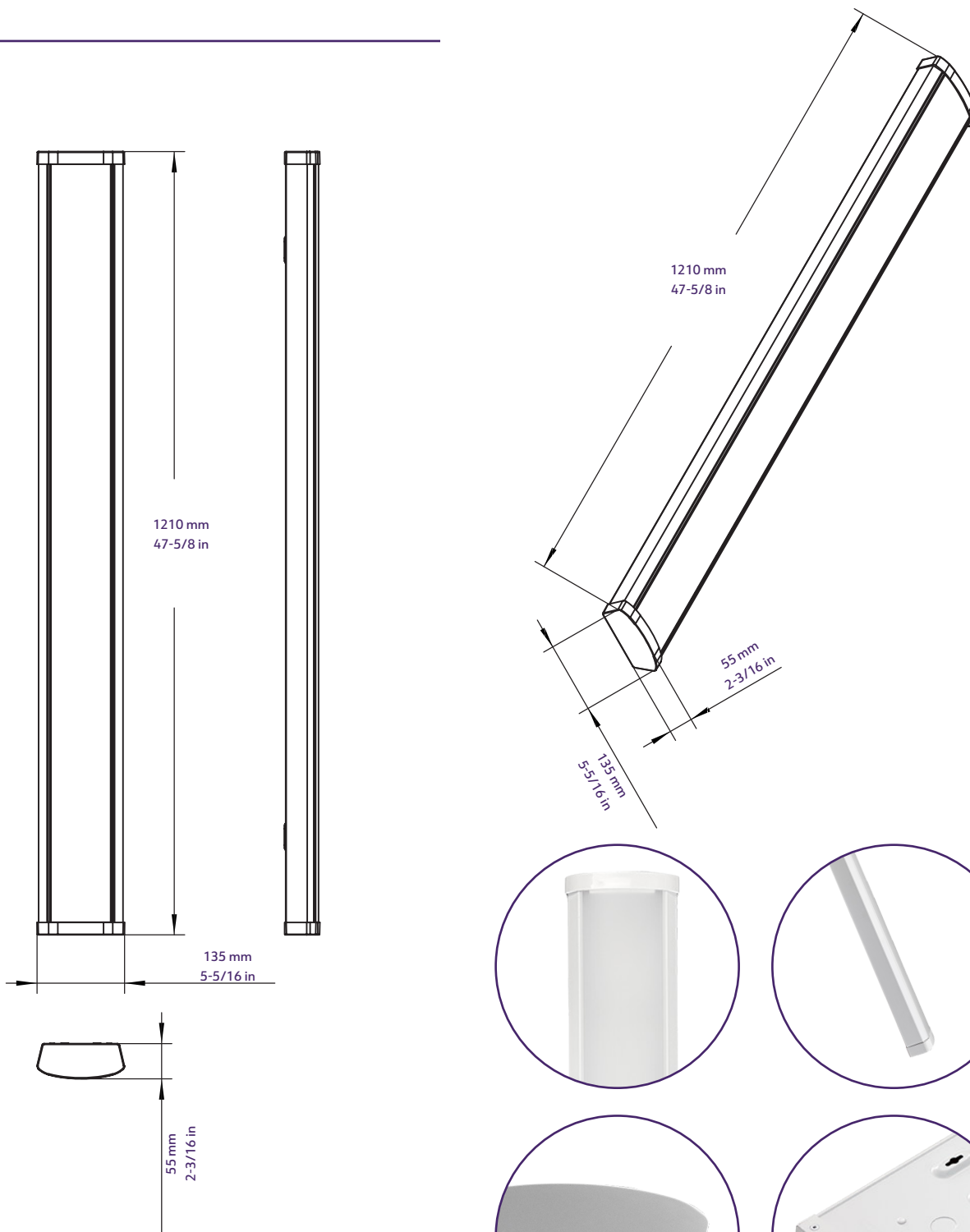
Options:

- **-EM500** 500 lumen for at least 90 mins
- **-EM1000** 1,000 lumen for at least 90 mins
- **-EM1800** 1,800 lumen for at least 90 mins
- **-EM2500** 2,500 lumen for at least 90 mins

DIMENSIONS

FSWE-4D

Weight 5 lbs



FINISHES

all models

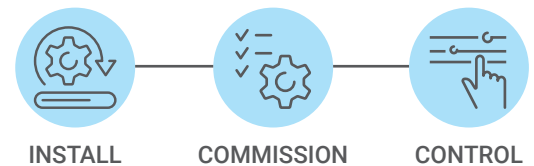
White

NETWORKED CONTROLS MADE EASY

Keilton Networked Controls, a DLC® Qualified Networked Lighting Controls Product, make it easy for facilities to save energy, improve occupancy comfort and achieve code compliance by adding Luminaire Level Lighting Controls (LLLC) to indoor and outdoor applications. It allows for easy field installation of sensors and network nodes with selected PacLights controls ready fixtures. Using the Keilton app, nodes can be commissioned without the need for a gateway or internet access.



A Cost-Effective Decentralized Architecture
Direct Mobile Device Provisioning
Best-In-Class Scale, Performance & Reliability



LEARN MORE, VISIT
www.paclights.com/NLC



FEATURES

- Luminaire Level Lighting Control (LLLC)
- Bluetooth-enabled Mesh Networking of Luminaires and Devices
- Individual Addressability, address individual or multiple luminaires
- High-end and Low-end Trim
- Zoning & Grouping
 - ◊ Add and control up to 100 devices per zone
 - ◊ Add unlimited zones to scale for bigger installation
 - ◊ Create unlimited groups (combination of sensor or network nodes) within a zone
 - ◊ Link and control the whole group or zone
- Scene control
 - ◊ Create and link scenes to individual lights or groups within a zone
 - ◊ Select scene with App or wall switch
- Time Scheduling for individual lights, groups or scenes
- Sensors integrated with BLE, occupancy and daylight sensing
- Multi-level Dimming, Daylight Harvesting and Occupancy controls
- Manual/Automatic ON/OFF and Automatic partial ON/OFF control capability
- Control with wireless wall switch or smart device
- Secure commissioning with Keilton App
- Up to 100 ft node-to-node and 50 ft node-to-device
- Demand Response option (works with OpenADR gateways)
- Controlled 120v 20A Receptacle available
- Other control features to meet code compliance




Keilton and its logo is a trademark of Litetrace; **PacLights** and its logo is a trademark of PacLights, LLC
 DLC and its logo is a trademark of DesignLights Consortium.
 Keilton is the qualified system name listed on the DLC Networked Lighting Controls QPL.



NETWORKED CONTROLS for FSWE series

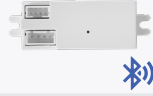
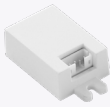


NETWORKED NODE ONLY

SKU	DESCRIPTION	FUNCTION	ORDER CODE
KEILTON-FA102	 KEILTON FA102 DC BLUETOOTH MESH NODE	Enable network controlled - on & off, dim, trim, zone, group, scene & schedule, etc.	-WBN

* factory installed, other components may be needed

NETWORKED NODE WITH SENSOR

SKU	DESCRIPTION	FUNCTION	ORDER CODE
KEILTON-FA102	 KEILTON FA102 DC BLUETOOTH MESH NODE	Enable network controlled - on & off, dim, trim, zone, group, scene & schedule, etc.	-WBM
KEILTON-MWS105	 KEILTON MWS105 ECO MICRO-WAVE DLH SENSOR	Enable sensor functionality to a NLC node - Microwave occupancy & daylight (harvesting) sensing	

* factory installed, other components may be needed

Keilton and its logo is a trademark of Litetrace; PacLights and its logo is a trademark of PacLights, LLC
DLC and its logo is a trademark of DesignLights Consortium.
Keilton is the qualified system name listed on the DLC Networked Lighting Controls QPL.