



The
FHUVTM
Series

High lumen output
LED High Bay Light





High lumen output
LED High Bay Light



PROJECT: _____

DATE: _____

TYPE: _____

PREPARED BY: _____



KEY FEATURES

- High lumen output
- Secondary Surge Protector
- Emergency battery backup available
- Multiple Mounting options
- Controls Ready

TECHNICAL SPECIFICATIONS

COMPLIANCE

UL Listed

UL 1598 Suitable for wet locations

IESNA LM79 & LM-80 Testing

PacLights LED luminaires have been tested by an independent laboratory in accordance with IESNA LM-79 and LM-80.

DLC Qualification

Selected models of this product are on the Design Lights Consortium (DLC) Qualified Products List and are eligible for rebates from DLC Member Utilities. To view our DLC qualified products, please consult the DLC Qualified Products List at www.designlights.org/qpl

LED CHARACTERISTICS

LEDS

Long-life, high-efficacy, surface-mount LEDs

Lifespan

100,000-hour LED lifespan based on IES LM-80 results and TM-21 calculations

Color Rendering Index

>80

Color Uniformity

PacLights' range of Correlated Color Temperature follows the guidelines of the American National Standard for Specifications for the Chromaticity of Solid State Lighting (SSL) Products, ANSI C78.377-2017

OTHER

5-Year Limited Warranty**

The PacLights 5-year, limited warranty covers light output, driver performance and paint finish.

**PacLights's warranty is subject to all terms and conditions found at paclights.com/warranty

CONSTRUCTION

IP Rating

Ingress Protection rating of IP65 for dust and water

Ambient Temperature

Suitable for 50° C (122° F) ambient temperature

Cold Weather Starting

The minimum starting temperature is -22 F°/-30° C

Housing

Die-cast aluminum housing; stainless steel external hardware; silicone gasket.

Mounting Methods

- Hook mount (standard)
- 1/2" NPT threaded pendant (standard)
- 3/4" NPT threaded pendant (optional)
- Ceiling/wall surface mounting with trunnion arm (optional)

Green Technology

Mercury and UV free, and RoHS compliant.

Optical

90° Polycarbonate Lens; UGR <28; Optional 90° aluminum reflector

ELECTRICAL

Drivers

0-10V continuous dimming, can be dim to off. 6ft cord (AC power, and dimming)
 Input Voltage: 120-277V, 50-60 Hz (UV models), 277-480v (HV models)
 Power Factor : > 0.9; THD: < 20%; Flicker: <5%; Surge Protection: 4kV
 Wattage: FHUW-300 (300w); FHUW-400 (400w)
 Input Current: FHUW-300-UV: 2.8A (120v); 1.4A (240v); 1.2A (277v).
 FHUW-300-HV: 1.2A (277v); 0.7A (480v).
 FHUW-400-UV: 3.7A (120v); 1.9A (240v); 1.6A (277v).
 FHUW-400-HV: 1.6A (277v); 0.9A (480v).

Secondary Surge Protector

20kV (in additional to LED driver's intergrated lightning arrester)

Control Receptacle

Controls ready - 12v DC plug-and-play control receptacle with cap.

FEATURES

Secondary Surge Protector



Secondary surge protector can act as the second line of defense, in addition to the LED driver's intergrated lightning arrester.

Controls Ready



FHUW comes integrated with a sensor port for easy in-field plug and play sensor installation. Control options include:

- Microwave bi-level motion & daylight(threshold)
- PIR bi-level motion & daylight(threshold)
- Microwave bi-level motion & daylight harvesting*
- Networked Lighting Controls (NLC)*

* adapter required for daylight harvesting or NLC options.

CONTROL Options

Microwave Bi-level Motion Control (option: -MCW)



Microwave occupancy control detect motions even through plastic, glass and thin non-metal materials. It can be mounted as high as 40 ft high and contains a signature 3-step dimming function, which is perfect for areas that require a light change notice totally switching off the light. Optional daylight(threshold) function will turn off fixture on pre-set level of ambient light. Control parameters are adjustable by an optional wireless commissioning device.

-MCW / -MCP Sensor Control Specification *default setting

| | |
|--------------------------------|---|
| Manual Trim/Dim | 0%-100%; Quick Preset 70%/80%/90%/100%* |
| Sensitivity | 20%/50%/75%/100%* |
| Hold Time (before dim) | 10s/1min*/10min/30min |
| Daylight Threshold | 10/30/50/100 Lux, or Disable* |
| Stand-by Time(before turn off) | 1min*/30min/60min, or Never |
| Stand-by Dimming Level | 10%/20%*/30%/50% |
| Detection Height | up to 40ft |
| Detection Radius | up to 40ft (-MCW) or up to 15ft (-MCP) |

Passive Infrared Bi-level Motion Control (option: -MCP)



A PIR sensor can detect changes in the amount of infrared radiation impinging upon it, which varies depending on the temperature and surface characteristics of the objects in front of the sensor. It can be mounted as high as 40 ft high and contains a signature 3-step dimming function, which is perfect for areas that require a light change notice totally switching off the light. Optional daylight(threshold) function will turn off fixture on pre-set level of ambient light. Control parameters are adjustable by an optional wireless commissioning device.

Optional wireless commissioning device can be purchase separately to customize settings of options: -MCW/-MCP controls.



Bi-level Motion and Daylight Harvesting Control (option: -MCD)



In addition to all the functions provided by a microwave bi-level occupancy control, daylight harvesting control also use daylight to offset the amount of electric lighting needed to properly light a space. Optional wireless commissioning device can be purchase separately to customize settings.

-MCD Sensor Control Specification *default setting

| | |
|--------------------------------|--|
| Sensitivity | 20%/50%/75%/100%* |
| Hold Time (before dim) | 10s/1min/5min*/10min/15min/20min/30min/60min |
| Daylight Threshold | 10/30/50/100/300/500 Lux, or Disable* |
| Stand-by Time(before turn off) | 1min/30min/60min*, or Never |
| Stand-by Dimming Level | 10%/30%*/50% |
| Detection Height | up to 40ft |
| Detection Radius | up to 50ft |

Networked Lighting Controls (option: -WBP/-WBM/-WBN)



Network Lighting Controls (NLC) offer Luminaire Level Lighting Control (LLLC) based on Bluetooth-enabled Mesh Networking of Luminaires. Individual addressability enables luminaires to be communicated with each other within the zone/network. Luminaires can be grouped, trim and controlled by using the smart device app or connected wall switches. Scheduling, scene and sensors can be added for automation among the lights within the zone/group.

- **(-WBP)** Wireless bluetooth networked control with PIR occupancy and daylight harvesting sensor
- **(-WBM)** Wireless bluetooth networked control with microwave occupancy and photocell sensor
- **(-WBN)** Wireless bluetooth networked control (node only)



iOS/Andriod APP will be used to commissioning or customize settings of options: -WBP/-WBM/-WBN networked controls.

EMERGENCY BACKUP Option

Emergency Battery Backup (-EM)



FHUW series emergency backup models save time and cost in the installation. When there is a power outage, the emergency backup driver and battery will power the FHUW to a brightness of 9,000 lumen (sku: EMU-60) for at least 90 mins.

REFLECTOR Option

90° Aluminum Reflector (-RF)



Aluminum reflectors create focused, direct light distribution. They are designed to direct light downward with minimal scattering, resulting in a more concentrated beam. This makes them well-suited for tasks that require precision or for illuminating specific areas.

WIREGUARD Options

Wireguard (-WG)

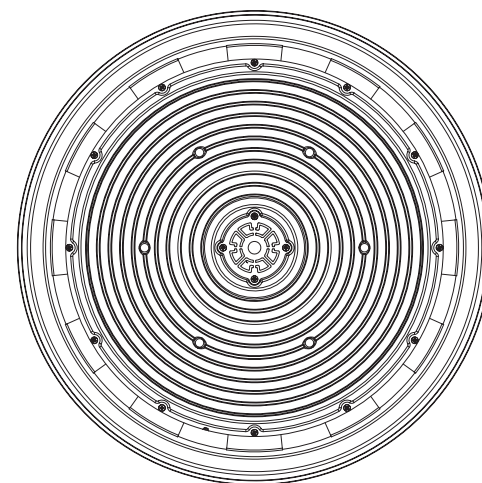
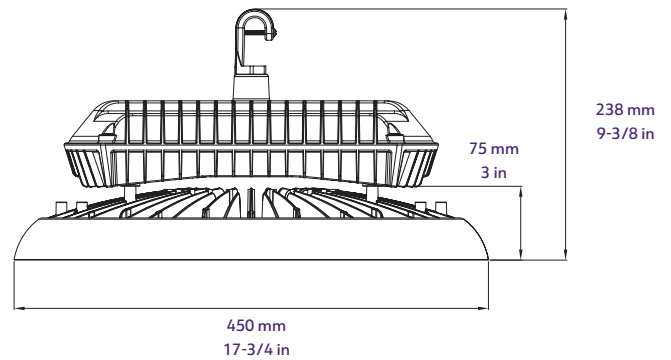
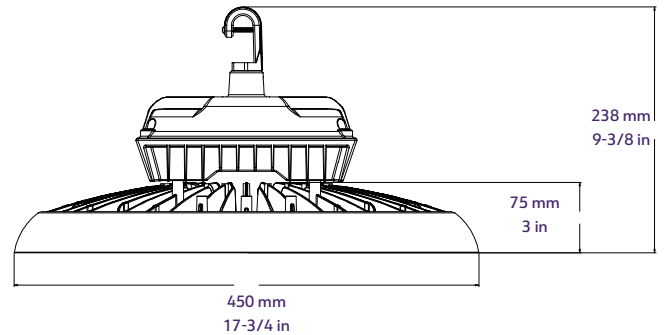


Optional wireguards can be attached to FHUW High Bays to provide extra protection from physical damage.



DIMENSIONS

Weight 18 lbs



FINISHES

all models White

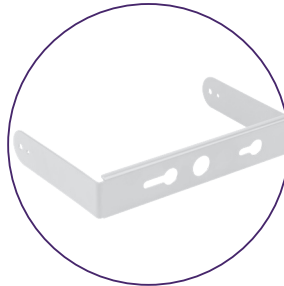
MOUNTS

Hook or 1/2" NPT (standard)



FHUW comes with a robust and efficient hook mount tailored specifically for these high-intensity fixtures. The simplicity of a hook mount's design also ensures a swift installation process. The fixture can also be attached to 1/2" NPT conduit or pipe.

Surface Mount (-TM)



Surface mount installations can be adapted to various types of ceiling structures, such as flat or sloped surfaces, making them a flexible option for different environments. It also allows for adjusting the angle of the high bay fixture, enabling you to direct the light towards specific areas or objects, thus optimizing the light distribution in the space.

3/4" NPT Adapter (-3QCM)



Pendant mount adapter enables the attachment of high bay fixtures to a 3/4" NPT conduit or pipe.

PERFORMANCE

FHUW - 300

| 300W | 4000K Neutral | 5000K Daylight |
|---------------|------------------|-------------------|
| LUMENS | 41,700 | 42,300 |
| LM/W | 139 | 141 |

FHUW - 400

| 400W | 4000K Neutral | 5000K Daylight |
|---------------|------------------|-------------------|
| LUMENS | 55,600 | 56,400 |
| LM/W | 139 | 141 |



ORDERING INFORMATION

FHUW™

| Family | Model | Input Voltage | CCT | Option |
|-------------|----------------------|----------------------|----------------------|--|
| FHUW | <input type="text"/> | <input type="text"/> | <input type="text"/> | <input type="text"/> |
| | 300 300w | UV 120-277v | 40 4000K | [blank] None |
| | 400 400w | HV 277-480v | 50 5000K | EM Emergency battery backup |
| | | | | WG Wireguard |
| | | | | 3QCM 3/4" conduit adapter |
| | | | | TM Surface mount |
| | | | | RF 90° aluminum reflector |
| | | | | MCW Microwave bi-level motion sensor control |
| | | | | MCP PIR bi-level motion sensor control |
| | | | | MCD Microwave bi-level motion + daylight harvesting sensor control |
| | | | | WBN Wireless bluetooth networked control (no sensor) (NLC) |
| | | | | WBP Wireless bluetooth networked control w/ PIR & daylight sensor (NLC) |
| | | | | WBN Wireless bluetooth networked control w/ Microwave & daylight sensor (NLC) |

NETWORKED CONTROLS MADE EASY

Keilton Networked Controls, a DLC® Qualified Networked Lighting Controls Product, make it easy for facilities to save energy, improve occupancy comfort and achieve code compliance by adding Luminaire Level Lighting Controls (LLLC) to indoor and outdoor applications. It allows for easy field installation of sensors and network nodes with selected PacLights controls ready fixtures. Using the Keilton app, nodes can be commissioned without the need for a gateway or internet access.



A Cost-Effective Decentralized Architecture
Direct Mobile Device Provisioning
Best-In-Class Scale, Performance & Reliability



LEARN MORE, VISIT
www.paclights.com/NLC



FEATURES

- Luminaire Level Lighting Control (LLLC)
- Bluetooth-enabled Mesh Networking of Luminaires and Devices
- Individual Addressability, address individual or multiple luminaires
- High-end and Low-end Trim
- Zoning & Grouping
 - ◊ Add and control up to 100 devices per zone
 - ◊ Add unlimited zones to scale for bigger installation
 - ◊ Create unlimited groups (combination of sensor or network nodes) within a zone
 - ◊ Link and control the whole group or zone
- Scene control
 - ◊ Create and link scenes to individual lights or groups within a zone
 - ◊ Select scene with App or wall switch
- Time Scheduling for individual lights, groups or scenes
- Sensors integrated with BLE, occupancy and daylight sensing
- Multi-level Dimming, Daylight Harvesting and Occupancy controls
- Manual/Automatic ON/OFF and Automatic partial ON/OFF control capability
- Control with wireless wall switch or smart device
- Secure commissioning with Keilton App
- Up to 100 ft node-to-node and 50 ft node-to-device
- Demand Response option (works with OpenADR gateways)
- Controlled 120v 20A Receptacle available
- Other control features to meet code compliance




Keilton and its logo is a trademark of Litetrace; **PacLights** and its logo is a trademark of PacLights, LLC
 DLC and its logo is a trademark of DesignLights Consortium.
 Keilton is the qualified system name listed on the DLC Networked Lighting Controls QPL.





NETWORKED CONTROLS for FHUW series



NETWORKED NODES ONLY

| SKU | DESCRIPTION | FUNCTION | CONTROL ORDER CODE |
|---------------------|--|--|--------------------|
| KEILTON-WPPA102-AUX |  KEILTON WPPA102-AUX DC AUX BLUETOOTH MESH NODE | Enable network controlled - on & off, dim, trim, zone, group, scene & schedule, etc. | -WBN |

NETWORKED NODES WITH SENSOR

| SKU | DESCRIPTION | FUNCTION | CONTROL ORDER CODE |
|--------------------|--|---|--------------------|
| KEILTON-EFS106-AUX |  KEILTON EFS106-AUX DC AUX BLUETOOTH MESH NODE W/ PIR DLH SENSOR | Enable network controlled - on & off, dim, trim, zone, group, scene & schedule, etc. And, PIR occupancy & daylight (harvesting) sensing. | -WBP |
| KEILTON-EFS116-AUX |  KEILTON EFS116-AUX DC AUX BLUETOOTH MESH NODE W/ MICROWAVE PHOTOCELL SENSOR | Enable network controlled - on & off, dim, trim, zone, group, scene & schedule, etc. And, Microwave occupancy & photo sensing | -WBM |

Keilton and its logo is a trademark of Litetrace; PacLights and its logo is a trademark of PacLights, LLC
DLC and its logo is a trademark of DesignLights Consortium.
Keilton is the qualified system name listed on the DLC Networked Lighting Controls QPL.