



The
FFHSTM
Series

Multi-purpose
LED Sports Light





multi-purpose
LED Sports Light



PROJECT: _____

DATE: _____

TYPE: _____

PREPARED BY: _____



KEY FEATURES

- Detachable driver(s) for remote/underpole installation
- Beam spread options available
- Standard secondary surge protector
- 0-10V dimming standard on all models
- Standard NEMA Twist-lock control receptacle

TECHNICAL SPECIFICATIONS

COMPLIANCE

UL Listed
Suitable for wet locations
IESNA LM79 & LM-80 Testing
PacLights LED luminaires have been tested by an independent laboratory in accordance with IESNA LM-79 and LM-80.
DLC Qualification
Selected models of this product are on the Design Lights Consortium (DLC) Qualified Products List and are eligible for rebates from DLC Member Utilities. To view our DLC qualified products, please consult the DLC Qualified Products List at www.design-lights.org/qpl

LED CHARACTERISTICS

LEDS
Long-life, high-efficacy, surface-mount LEDs
Lifespan
100,000-hour LED lifespan based on IES LM-80 results and TM-21 calculations
Color Rendering Index
>70
Color Uniformity
PacLights' range of Correlated Color Temperature follows the guidelines of the American National Standard for Specifications for the Chromaticity of Solid State Lighting (SSL) Products, ANSI C78.377-2017

CONSTRUCTION

Rating
IP 65 Rated; IK08 impact resistance
Ambient Temperature
Suitable for up to 50° C (122° F) ambient temperature
Cold Weather Starting
The minimum starting temperature is -40 F°/-40° C
Housing, Gaskets & Lens
Die-cast aluminum housing; Silicon gaskets; Polycarbonate lens
Finish
Our environmentally friendly polyester powder coatings are formulated for high-durability and long-lasting color, and contain no VOC or toxic heavy metals.
Mounting Methods
Heavy-duty Trunnion Mount included. Light module can be tilted ±90°, and the fixture can be rotated ±30° to the left or right. Optional slipfitter mount.
Green Technology
Mercury and UV free, and RoHS compliant. Polyester powder coat finish formulated without the use of VOC or toxic heavy metals.

ELECTRICAL

Drivers
0-10V Dimmable
Input Voltage: 120-277V, 50-60 Hz (UV models) or 277-480V, 50-60 Hz (HV models)
Power Factor > 0.9; THD < 15%
Driver Surge Protection 10kA

Wattage
FFHS/3-400: 400w; FFHS/3-500: 500w; FFHS/3-600: 600w;
FFHS/3-750: 750w; FFHS/3-1000: 1000w; FFHS/3-1200: 1200w;

Input Current

MODEL	120v	208v	240v	277v	480v
FFHS/3-400	3.7A	2.1A	1.85A	1.6A	0.95A
FFHS/3-500	4.6A	2.7A	2.3A	2A	1.15A
FFHS/3-600	5.5A	3.2A	2.8A	2.4A	1.4A
FFHS/3-750	6.9A	4A	3.5A	3A	1.7A
FFHS/3-1000	9.2A	5.3A	4.6A	4A	2.3A
FFHS/3-1200	11A	6.4A	5.6A	4.8A	2.8A

Secondary Surge Protector
20kA (in addition to LED driver's integrated lightning arrester)

Control Receptacle
NEMA 7-pin twist-lock receptacle with short-cap. Compatible with ANSI C136.1 3-pin twist-lock photocell, or C136.41 0-10v 5 or 7-pin twist-lock dimming controls.

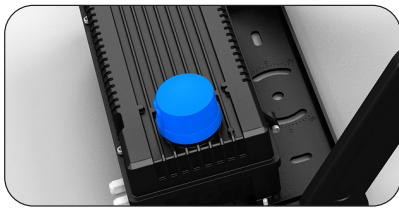
OTHER

5-Year Limited Warranty**
The PacLights 5-year, limited warranty covers light output, driver performance and paint finish.

** PacLights's warranty is subject to all terms and conditions found at paclights.com/warranty

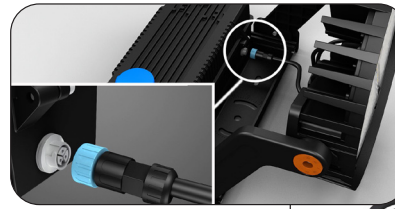
FEATURES

NEMA TWIST-LOCK CONTROL RECEPTACLE



NEMA 7-pin twist-lock receptacle with short-cap. Compatible with ON/OFF ANSI C136.1 3-pin twist-lock photocell, or C136.41 0-10v 5 or 7-pin twist-lock dimming controls, such as smart wireless or IoT controls.

DETACHABLE LED DRIVER(S) BOX



Detachable LED driver(s) box can be placed remotely such as under the pole for the convenience of inspection and maintenance.



* extension cables (varies length) available for purchase separately

SECONDARY SURGE PROTECTOR



SECONDARY SURGE PROTECTOR

Secondary surge protector (20kA) can act as the second line of defense, in addition to the LED driver's integrated lightning arrester.

PHOTOMETRIC OPTIONS

OPTICS (-T2/-T3/-T4/-T6/-T8/-T12)

For different application needs, FFHS offers optics options of 3H3V, 4H4V, 5H5V, 6H6V and 7H7V distributions defined by NEMA. The NEMA beam spread type indicates how wide or narrow the light is projected out of the flood light. Horizontal and vertical beam spread angles are used to distinguish NEMA types.

MODELS & NEMA BEAM	3H3V	4H4V	5H5V	6H6V	7H7V
FFHS/3-400/500	N/A	30° (-T3)	40° (-T4)	80° (-T8)	120° (-T12)
FFHS/3-600/750	20° (-T2)	30° (-T3)	40° (-T4) 60° (-T5)	80° (-T8)	N/A
FFHS/3-1000/1200	20° (-T2)	30° (-T3)	40° (-T4) 60° (-T5)	N/A	N/A

GLARE SHIELD (-GS)

With many sports areas located near residential, tourist and conservation areas, facilities must be able to install lighting systems that avoid unwanted illumination onto adjacent properties. PacLights engineered optical systems include glare shield that control light and distribute it on the task at hand to limit light trespass. This allows facilities to install luminaires and poles where they are needed for maximum effectiveness.



OTHER OPTIONS

SLIPFITTER MOUNT (-SF)

Slipfitter is for round light pole tenon mounting bracket for a single lighting fixture, if adding a bullhorn bracket, more fixtures can be added to the same pole. Slipfitter bracket is 2-3/8 in diameter in hole size, it can be adjustable(90°-180°) in its angle.



PHOTOCONTROLS (-PS/-DL/-DM)

PacLights advanced electronic **SE-TLP Series** Photocontrol provides a unique, durable, and multi-volt control especially designed for 15 years of operation. It utilizes inter-locking base/cap design for excellent environmental housing. High temperature base material, along with a UV stabilised, opaque housing ensure our control will last years without degradation. PacLights uses a process of IR filtering a phototransistor which in turn gives a human eye response along with long-term, drift free light sensing for the life of the control.



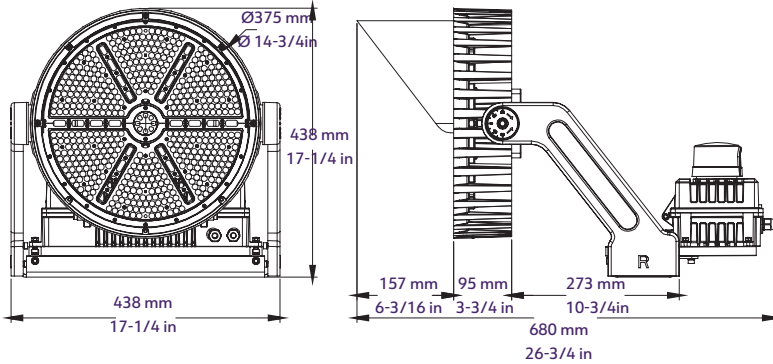
- Multi-volt operation
- Daylight harvesting models
- Mid-Night dimming models
- High-temperature components
- MOV surge protection
- Meets or exceeds ANSI C136.10

for detail refer to **SE-TLP Series** specification

DIMENSIONS

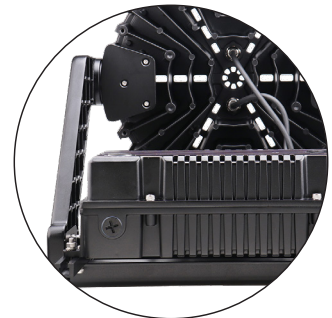
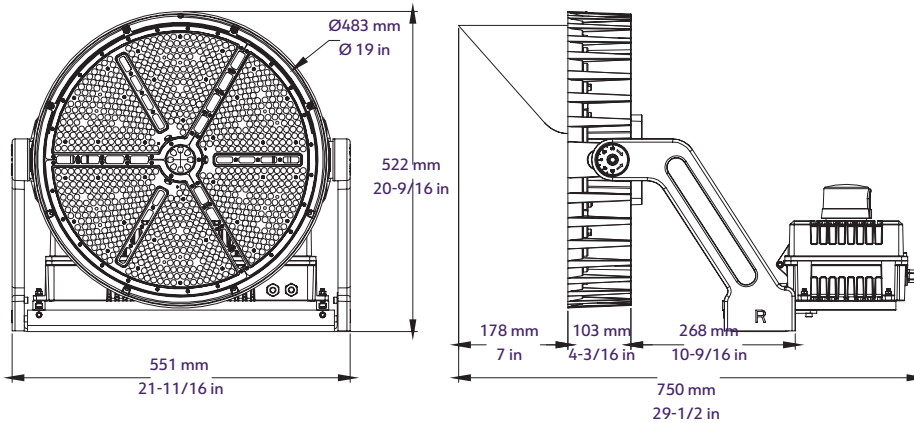
FFHS/3 - 400/500

Weight 40 lbs
EPA 2.3



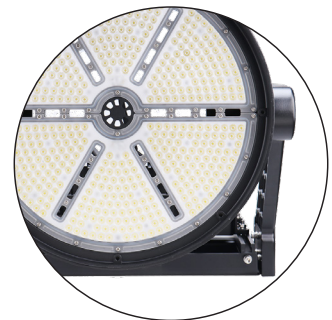
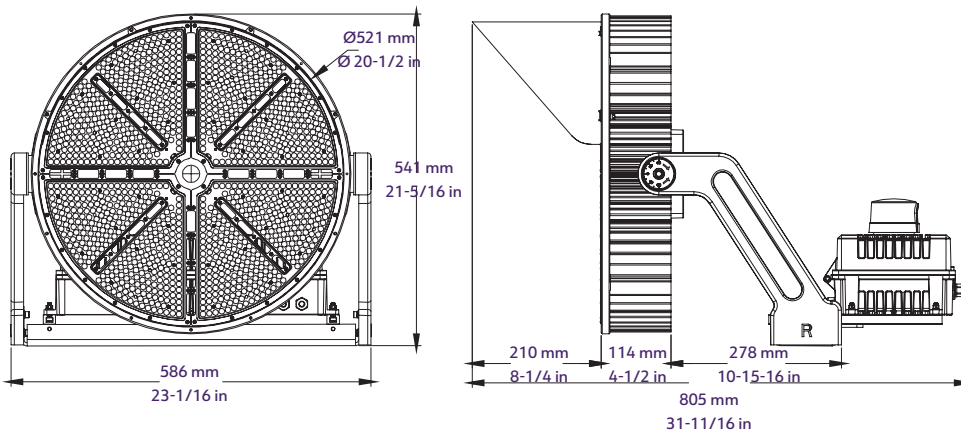
FFHS/3 - 600/750

Weight 57 lbs
EPA 3.0



FFHS/3 - 1000/1200

Weight 68 lbs
EPA 3.4



FINISHES
Standard Black

PERFORMANCE

FFHS/3 - 400

400W	4000K Neutral	5000K Daylight	5700K Cool white
LUMENS	56,000	56,800	57,200
LM/W	140	142	143

FFHS/3 - 500

500W	4000K Neutral	5000K Daylight	5700K Cool white
LUMENS	70,000	71,000	71,500
LM/W	140	142	143

FFHS/3 - 600

600W	4000K Neutral	5000K Daylight	5700K Cool white
LUMENS	84,000	85,200	85,800
LM/W	140	142	143

FFHS/3 - 750

750W	4000K Neutral	5000K Daylight	5700K Cool white
LUMENS	105,000	106,500	107,250
LM/W	140	142	143

FFHS/3 - 1000

1000W	4000K Neutral	5000K Daylight	5700K Cool white
LUMENS	140,000	142,000	143,000
LM/W	140	142	143

FFHS/3 - 1200

1200W	4000K Neutral	5000K Daylight	5700K Cool white
LUMENS	168,000	170,400	171,600
LM/W	140	142	143

ORDERING INFORMATION

FFHS™ generation 3

Family	Model	Input Voltage	Color Temp	Light Distribution	Options	
FFHS/3						
	400	400w	UV 100-277v	30 ¹ 3000K	T2 ² 3H3V - 20°	SF slipfitter mount
	500	500w	HV 277-480v	40 ¹ 4000K	T3 4H4V - 30°	GS glare shield
	600	600w		50 5000K	T4 ³ 5H5V - 40°	PS photocell control
	750	750w		57 ¹ 5700K	T6 ² 5H5V - 60°	DL photocell + daylight harvesting dimming control
	1000	1000w			T8 ⁴ 6H6V - 80°	DM photocell + daylight harvesting + mid-night dimming control
1200	1200w			T12 ⁵ 7H7V - 120°	ECxx ¹ extension cord for remote drivers; xx = length in ft, ex: 90ft = EC90	

Note 1) available for special order; 2) only available for 600/750/1000/1200w models, extra cost may apply; 3) available for all models, extra cost may apply; 4) only available for 400/500/600/750w models, extra cost may apply; 5) only available for 400/500w models, extra cost may apply.