

FDLATM

generation 2

Commercial Downlight

4" | 6" | 8" | 10"



KEY FEATURES

- Power and color selectable, wet location & IC rated
- 90+ CRI delivers exceptional color accuracy
- 0-10v continuous dimmable to 1% and off
- New construction or retrofit, metal-clad cable
- Emergency battery backup option

APPLICATIONS

Ideal for use in offices, retail stores, hotels, healthcare facilities, schools, and public spaces to provide clean, low-glare lighting



power & color selectable w/ dip switches
metal-clad cable for easy installation

TECHNICAL SPECIFICATIONS

COMPLIANCE

ETL Listed

UL 1598 Suitable for wet locations, Type IC

IESNA LM79 & LM-80 Testing

PacLights LED luminaires have been tested by an independent laboratory in accordance with IESNA LM-79 and LM-80.

High Efficacy Luminaire Certified by the California Energy Commission (CEC) as Title 24 / JA8 Compliant.

PHOTOMETRIC CHARACTERISTICS

LEDS

Long-life, high-efficacy LEDs

Correlated Color Temperature

2700K, 3000K, 3500K, 4000K, or 5000K, adjustable with dip-switch on selected models.

Lifespan

50,000-hour LED lifespan based on IES LM-80 results and TM-21 calculations

Color Rendering Index

90+ CRI

Beam Angle

100°

OTHER

5-Year Limited Warranty**

The PacLights 5-year, limited warranty covers light output, driver performance and paint finish.

**PacLights's warranty is subject to all terms and conditions found at paclights.com/warranty

CONSTRUCTION

Ambient Temperature / Cold Weather Starting

Suitable for up to 45° C (113° F) ambient temperature. The minimum starting temperature is -4 F°/-20° C

Housing and Lens

Aluminum housing, spring loaded retention clips, frosted polycarbonate lens

IC Rated

Suitable for direct contact with insulation

Mounting Methods

- Direct mount into circular ceiling cutouts with retention clips (standard)
- Retrofit CFL, Incandescent or HID fixture to use existing frame (standard)
- New construction plate (optional)

ELECTRICAL

Driver

Input Voltage: 120-277V, 50-60 Hz

Power Factor : > 0.9

0-10V continuous dimming, can be dim to 1% and off

Wattage can be adjusted by dip-switch on selected models, to:

- 13w / 10w / 7w on FDLA/2-4D13 models
- 22w / 18w / 16w / 14w / 12w on FDLA/2-6D22 models
- 30w / 26w / 22w / 18w / 14w on FDLA/2-8D30 models
- 40w / 35w / 30w / 25w / 20w on FDLA/2-10D40 models

Input Current:

FDLA/2-4D13: 0.11A (120v); 0.06A (208v); 0.05A (240v); 0.05A (277v).
 FDLA/2-6D22: 0.18A (120v); 0.11A (208v); 0.09A (240v); 0.08A (277v).
 FDLA/2-8D30: 0.25A (120v); 0.14A (208v); 0.13A (240v); 0.11A (277v).
 FDLA/2-10D40: 0.33A (120v); 0.19A (208v); 0.17A (240v); 0.14A (277v).

Recommended Dimmer: Lutron DVSTV, Leviton IP710

ORDERING INFORMATION

ORDERING CODE

Create an ordering code by selecting the option(s) listed in the tables below, following the format shown. If an option that includes related accessories is selected in the ordering code, those accessories will be included. Any additional accessories are sold separately and must be ordered using their respective part numbers. **Lead times will vary depending on options selected. Consult with your sales representative.**

EXAMPLE: FDLA/2 - 6D22 - 5CCT
 FDLA/2 - 8D30 - 4000 - 26 - EM800 - NC
 FDLA/2 - 6D22 - 3000 - 18

Ordering Number			
FDLA/2	-	-	-
Series	Model	Color Temperature	Wattage
FDLA LED Commercial Downlight generation 2	4D13 4" Round	5CCT CCT Selectable 2700K/3000K/3500K/4000K/5000K	(BLANK) Wattage Selectable 13/10/7w on Model: 4D13. 22/18/16/14/12w on Model: 6D22. 30/26/22/18/14w on Model: 8D30. 40/35/30/25/20w on Model: 10D40.
	6D22 6" Round	2700 2700K	
	8D30 8" Round	3000 3000K	
	10D40 10" Round	3500 3500K	
		4000 4000K	
	5000 5000K	xx ‡ Single Wattage	

Ordering Number (continued)			
		Emergency Backup	Mounting
	(BLANK)	None	(BLANK) Direct mount or retrofit with retention clips
	EM800	800 lumen, 8w, 90 minutes Emergency Battery Backup. <i>California CEC Title 20 Compliant</i>	NC New construction plate w/ jbox
	EM1500	1,500 lumen, 15w, 90 minutes Emergency Battery Backup. <i>California CEC Title 20 Compliant</i>	

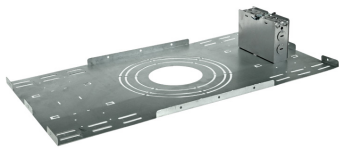
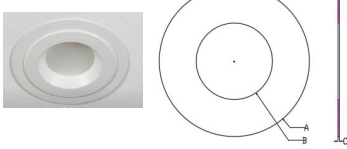
‡ Option Value Ordering Restrictions











Option	Option Value	Ordering Restrictions
Wattage	xx	replace "xx" with a model-available wattage: 13, 10 or 7 with Model: 4D13. 22, 18, 16, 14 or 12 with Model: 6D22. 30, 26, 22, 18 or 14 with Model: 8D30. 40, 35, 30, 25 or 20 with Model: 10D40.



ACCESSORIES

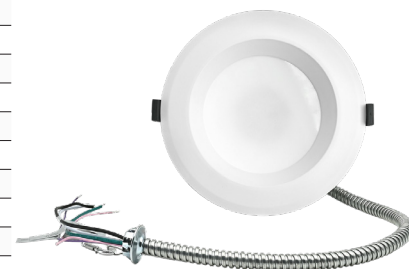
Additional accessories can be ordered separately using their respective part numbers.

Mounting	Part Number	Type	Features	Included with Option Code
New Construction Plate w/ JBOX for 4"/6"/8"/10" Commercial Downlight	AC-D-PL4680C		The New Construction Plate with Junction Box for Commercial Downlights is constructed from durable galvanized steel and supports four different cutout sizes, accommodating downlights up to 10 inches. Designed for versatility, it is compatible with both new construction joist mounting and T-grid ceiling applications.	Mounting: NC
Goof Ring	AC-DLA-GR4 for FDLA/2-4D13 AC-DLA-GR6 for FDLA/2-6D22 AC-DLA-GR8 for FDLA/2-8D30 AC-DLA-GR10 for FDLA/2-10D40		The goof ring (also called an oversize trim ring, trim extension ring, or ceiling repair ring) is a ring used to cover an oversized, damaged, or miscut ceiling opening around the fixture. AC-DLA-GR4: A: 8-1/8", B: 4-1/8", C: 1/16" AC-DLA-GR6: A: 10-1/16", B: 7-13/16", C: 1/16" AC-DLA-GR8: A: 11-3/8", B: 9-3/8", C: 1/16" AC-DLA-GR10: A: 13", B: 10-11/16", C: 1/16" (A: outer diameter, B: inner diameter, C: thickness)	N/A

Controls	Part Number	Type	Specifications
Standalone Ceiling Sensor Control	SE-BC-BRIDT301		Features: Dual-tech (PIR & Ultrasonic) occupancy on/off, photocell threshold. Sensors: PIR (up to 12' height, 9 to 20' radius), Ultrasonic (40kHz), Photocell. Settings (*=default): hold time (2s/30s/5/10/15/20*/25/30min), photocell (enable, or disable*), PIR sensitivity (min/max*), sensor logic (init trigger, maintain: either, both, PIR only. Default*: trigger by both sensor, maintain by either sensor). Installation: install to 4" octagon junction box at least 2" depth. Settings adjustable by dip-switches. 120-277v. 5-Amp relay - controls one or multiple.
	SE-BC-BRIDT301P		Features: PIR occupancy on/off, photocell threshold. Sensors: PIR (up to 12' height, 9 to 20' radius), Photocell. Settings (*=default): detection range (20%, 50%, 75%, 100%*), hold time (10s*/1/5/10/15/20/25/30min), photocell (10/20/50/100/200/300/500 lux, or disable*). Installation: install to 4" octagon junction box at least 2" depth. Settings adjustable by dip-switches. 120-277v. 5-Amp relay - controls one or multiple.
Bluetooth Networked (NLC) Ceiling Sensor Control	SE-BC-BRIDT301-D-BLE	 	Compatible with GEB™ Bluetooth Networked Controls. Features: on & off, dim, trim, zone, group, scene & schedule, etc. Sensors: Dual-tech (PIR & Ultrasonic) occupancy & daylight (harvesting). 120-277v. 5-Amp relay. 0-10v dimming - controls one or multiple.
	SE-BC-BRIDT301P-D-BLE	 	Compatible with GEB™ Bluetooth Networked Controls. Features: on & off, dim, trim, zone, group, scene & schedule, etc. Sensors: PIR occupancy & daylight (harvesting). 120-277v. 5-Amp relay. 0-10v dimming - controls one or multiple.
	KEILTON-CS107D	 	Compatible with Keilton+Autani™ Bluetooth Networked Controls. Features: on & off, dim, trim, zone, group, scene & schedule, etc. Sensors: PIR & Ultrasonic occupancy & daylight (harvesting). 120-277v. 6-Amp relay. 0-10v dimming - controls one or multiple.
	KEILTON-CS107S	 	Compatible with Keilton+Autani™ Bluetooth Networked Controls. Features: on & off, zone, group, scene & schedule, etc. Sensors: PIR occupancy & photocell. 120-277v. 10-Amp relay - controls one or multiple.

PERFORMANCE

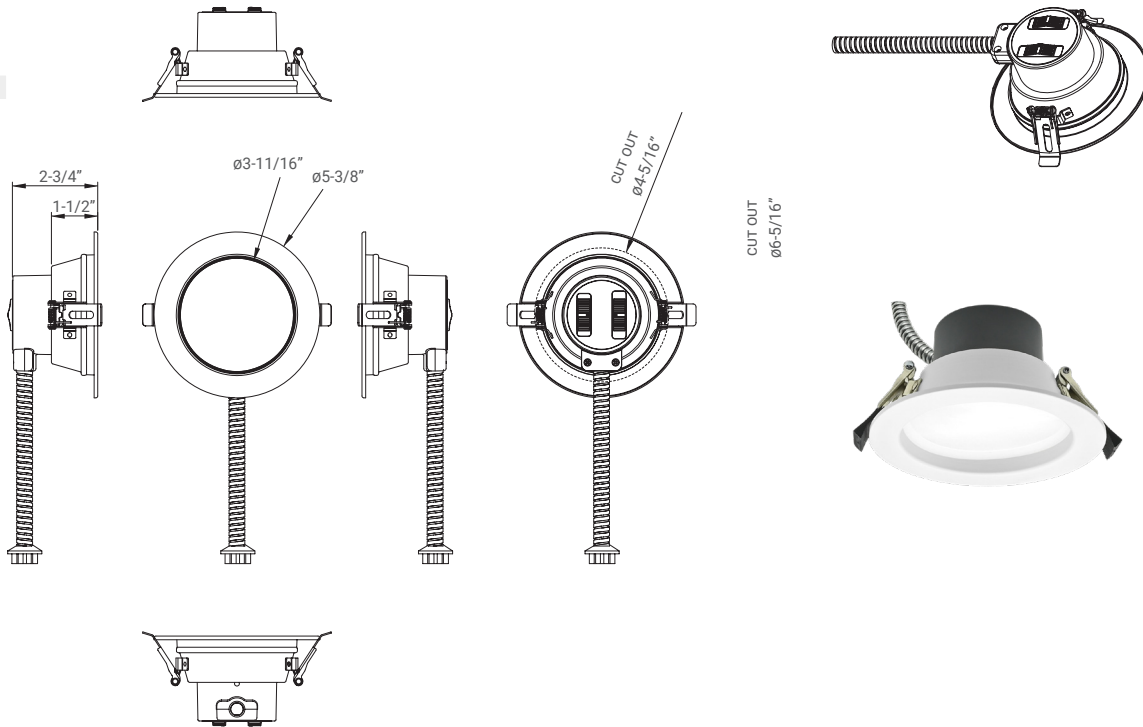
	Model	Lumen Package	Aperture	Wattage	CCT Setting	Lumen Output
Delivered Lumens, 90+ CRI	FDLA/2-4D13	1,200 lm 950 lm 680 lm	4 inch	13 / 10 / 7w	2700K	1,180 / 910 / 645 lm
					3000K	1,230 / 945 / 670 lm
					3500K	1,280 / 975 / 685 lm
					4000K	1,320 / 990 / 695 lm
					5000K	1,325 / 995 / 705 lm
	FDLA/2-6D22	2,100 lm 1,800 lm 1,500 lm 1,400 lm 1,200 lm	6 inch	22 / 18 / 16 / 14 /12w	2700K	2,000 / 1,660 / 1,415 / 1,275 / 1,110 lm
					3000K	2,075 / 1,735 / 1,480 / 1,330 / 1,155 lm
					3500K	2,190 / 1,825 / 1,555 / 1,390 / 1,205 lm
					4000K	2,245 / 1,870 / 1,590 / 1,420 / 1,230 lm
					5000K	2,215 / 1,850 / 1,580 / 1,425 / 1,240 lm
	FDLA/2-8D30	2,800 lm 2,500 lm 2,100 lm 1,700 lm 1,400 lm	8 inch	30 / 26 / 22 / 18 /14w	2700K	2,575 / 2,265 / 1,980 / 1,560 / 1,270 lm
					3000K	2,705 / 2,375 / 2,060 / 1,620 / 1,315 lm
					3500K	2,875 / 2,520 / 2,170 / 1,700 / 1,370 lm
					4000K	2,960 / 2,585 / 2,230 / 1,740 / 1,400 lm
					5000K	2,940 / 2,560 / 2,225 / 1,755 / 1,425 lm
	FDLA/2-10D40	3,700 lm 3,300 lm 2,800 lm 2,400 lm 2,000 lm	10 inch	40 / 35 / 30 / 25 /20w	2700K	3,300 / 2,970 / 2,510 / 2,160 / 1,785 lm
					3000K	3,550 / 3,185 / 2,680 / 2,300 / 1,890 lm
					3500K	3,760 / 3,360 / 2,820 / 2,410 / 1,975 lm
					4000K	3,835 / 3,420 / 2,870 / 2,455 / 2,010 lm
					5000K	3,380 / 3,410 / 2,880 / 2,580 / 2,045 lm



DIMENSIONS

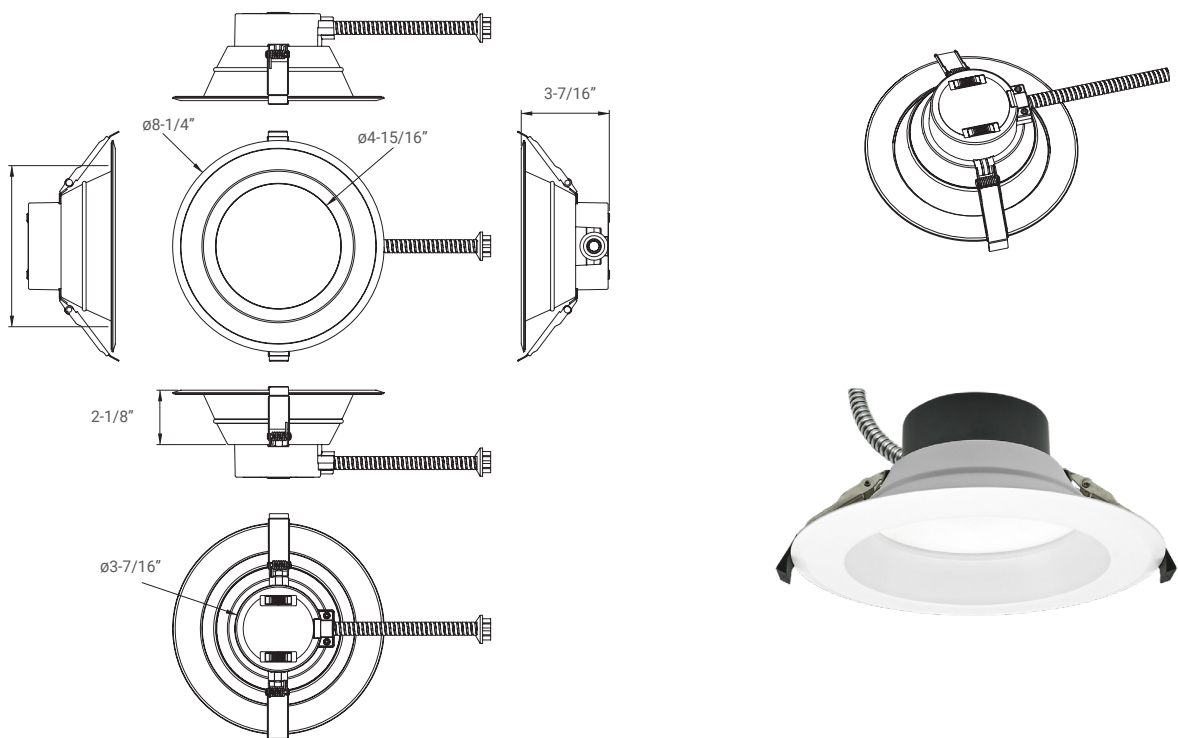
FDLA/2-4D13

4



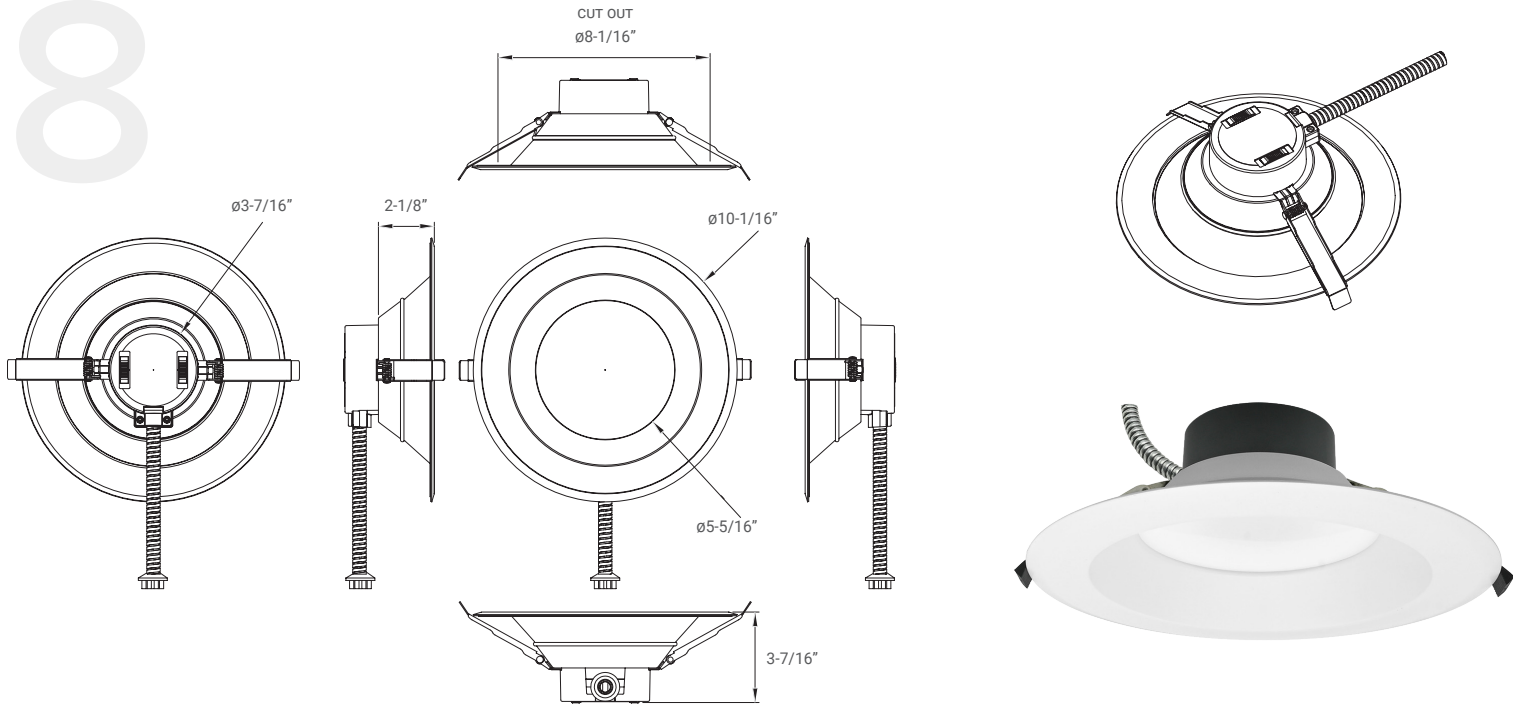
FDLA/2-6D22

6



FDLA/2-8D30

8



FDLA/2-10D40

10

