



The
FCPGTM
Series

Parking Garage Light





Parking Garage Light



PROJECT: _____

DATE: _____

TYPE: _____

PREPARED BY: _____



KEY FEATURES

- Wattage/Color selectable on selected models
- Up Light eliminates dark ceiling
- Low-profile, multiple Mounting Options
- Controls Ready - optional motion, daylight or network controls
- Optional Emergency Battery Backup

TECHNICAL SPECIFICATIONS

Compliance

UL Listed

UL 1598 Suitable for wet locations

IESNA LM79 & LM-80 Testing

PacLights LED luminaires have been tested by an independent laboratory in accordance with IESNA LM-79 and LM-80.

DLC Qualification

Selected models of this product are on the Design Lights Consortium (DLC) Qualified Products List and are eligible for rebates from DLC Member Utilities. To view our DLC qualified products, please consult the DLC Qualified Products List at www.design-lights.org/qpl

LED Characteristics

LEDs

Long-life, high-efficacy, surface-mount LEDs

LEDs Lifespan

100,000-hour LED lifespan based on IES LM-80 results and TM-21 calculations.

Lumen Maintenance

L70 ≥ 50,000 hours; L90 ≥ 36,000 hours

Color Rendering Index

>82

Color Uniformity

PacLights' range of Correlated Color Temperature follows the guidelines of the American National Standard for Specifications for the Chromaticity of Solid State Lighting (SSL) Products, ANSI C78.377

Beam Angle

190°

Other

5-Year Limited Warranty**

The PacLights 5-year, limited warranty covers light output, driver performance and paint finish.

**PacLights's warranty is subject to all terms and conditions found at paclights.com/warranty

Construction

IP Rating

Ingress Protection rating of IP65 for dust and water

Ambient Temperature

Suitable for up to 50° C (122° F) ambient, minimum starting -40 F°/-40° C

Housing

Die-cast aluminum housing; stainless steel external hardware; silicone gasket.

Mounting Methods

Surface mount; or 3/4" NPT threaded pendant mount.

Green Technology

Mercury and UV free, and RoHS compliant.

Lens

Polycarbonate.

Electrical

Driver(s)

Designed to last ≥50,000 hours when at allowable operating temperature

Input Voltage: 120-277v AC, 50-60 Hz; 480v option available

0-10V dimming; Power Factor > 0.95; THD < 20%

MODEL	Watt.	120v	208v	240v	277v	480v (option)
FCPG/3-30	30W	0.28A	0.16A	0.14A	0.12A	0.07A
FCPG/3-45	45W	0.42A	0.24A	0.21A	0.18A	0.10A
FCPG/3-60	60W	0.56A	0.32A	0.28A	0.24A	0.14A
FCPG/3-75	75W	0.69A	0.40A	0.35A	0.30A	0.17A
FCPG/3-90	90W	0.83A	0.48A	0.42A	0.36A	0.21A

Surge Protection

Driver - L/N-PE: 6kV, L-N: 4kV

Control Receptacle

AUX DC control receptacle. Compatible with selected motion, daylight and network lighting controls.

STANDARD FEATURES

Better Light Distribution with Up Light



Precision engineered optics deliver 10% uplight, eliminating gloomy dark spots on the ceiling and creating smooth and even light distribution throughout the space.

Field Selectable Wattage/Color (selected models)



Select the desired output power by sliding the respective wattage and/or color selection Dip Switches left or right to the desired value, for different lumen or color outputs. Outputs can be changed before, during and after installation.

MODEL	Wattage Selectable	Color(CCT) Selectable
FCPG/3-60/45/30	60W/45W/30W	3000K/4000K/5000K
FCPG/3-90/75/60	90W/75W/60W	3000K/4000K/5000K

PERFORMANCE

Models	Lumen Package	Wattage	CCT Setting		Lumen Output	LPW
			3000K	4000K		
FCPG/3-30	4,000	30w	3000K	3,840	128	
			4000K	4,260	142	
			5000K	4,140	138	
FCPG/3-45	6,000	45w	3000K	5,760	128	
			4000K	6,390	142	
			5000K	6,210	138	
FCPG/3-60	8,000	60w	3000K	7,860	131	
			4000K	8,700	145	
			5000K	8,400	140	
FCPG/3-75	10,000	75w	3000K	9,300	124	
			4000K	10,500	140	
			5000K	10,050	134	
FCPG/3-90	12,000	90w	3000K	11,520	128	
			4000K	12,600	140	
			5000K	12,060	134	

Delivered Lumens, 80 CRI



ORDERING INFORMATION

FCPG™ generation 3

Family	Model	CCT	Options	
FCPG/3	[]	[]	[]	
	30	30w	30 3000K	
	45	45w	40 4000K	
	60	60w	50 5000K	
	75	75w		
	90	90w		
	60/45/30	60/45/30w Selectable	30/40/50 3000K 4000K 5000K Selectable	EM Emergency battery backup (1,000 lumen, 90 mins)
	90/75/60	90/75/60w Selectable		MCW Bi-level Microwave motion and daylight on/off Dual Sensor control
				MCP Bi-level PIR motion and daylight on/off Dual Sensor control
				MCD Bi-level Microwave motion and Daylight Harvesting Dual Sensor control
			WBP Wireless bluetooth networked control w/ PIR & daylight sensor (NLC)	
			WBM Wireless bluetooth networked control w/ Microwave & daylight sensor (NLC)	
			WBN Wireless bluetooth networked control (NLC)	
			SP Secondary Surge protector	

CONTROL Options

Microwave Bi-level Motion Control (option: -MCW)



Microwave occupancy control detect motions even through plastic, glass and thin non-metal materials. It can be mounted as high as 40 ft high and contains a signature 3-step dimming function, which is perfect for areas that require a light change notice totally switching off the light. Optional daylight(threshold) function will turn off fixture on pre-set level of ambient light. Control parameters are adjustable by an optional wireless commissioning device.

-MCW / -MCP Sensor Control Specification *default setting

Manual Trim/Dim	0%-100%; Quick Preset 70%/80%/90%/100%*
Sensitivity	20%/50%/75%/100%*
Hold Time (before dim)	10s/1min*/10min/30min
Daylight Threshold	10/30/50/100 Lux, or Disable*
Stand-by Time(before turn off)	1min*/30min/60min, or Never
Stand-by Dimming Level	10%/20%*/30%/50%
Detection Height	up to 40ft
Detection Radius	up to 40ft (-MCW) or up to 15ft (-MCP)

Passive Infrared Bi-level Motion Control (option: -MCP)



A PIR sensor can detect changes in the amount of infrared radiation impinging upon it, which varies depending on the temperature and surface characteristics of the objects in front of the sensor. It can be mounted as high as 40 ft high and contains a signature 3-step dimming function, which is perfect for areas that require a light change notice totally switching off the light. Optional daylight(threshold) function will turn off fixture on pre-set level of ambient light. Control parameters are adjustable by an optional wireless commissioning device.



SE-HS-HB03R

Optional wireless commissioning device can be purchase separately to customize settings of options: -MCW/-MCP controls.

Bi-level Motion and Daylight Harvesting Control (option: -MCD)



In addition to all the functions provided by a microwave bi-level occupancy control, daylight harvesting control also use daylight to offset the amount of electric lighting needed to properly light a space.



SE-BC-RC-100

Optional wireless commissioning device can be purchase separately to customize settings of options: -MCD controls.

-MCD Sensor Control Specification *default setting

Sensitivity	20%/50%/75%/100%*
Hold Time (before dim)	10s/1min/5min*/10min/15min/20min/30min/60min
Daylight Threshold	10/30/50/100/300/500 Lux, or Disable*
Stand-by Time(before turn off)	1min/30min/60min*, or Never
Stand-by Dimming Level	10%/30%*/50%
Detection Height	up to 40ft
Detection Radius	up to 50ft

Networked Lighting Controls (option: -WBP/-WBM/-WBN)



Network Lighting Controls (NLC) offer Luminaire Level Lighting Control (LLC) based on Bluetooth-enabled Mesh Networking of Luminaires. Individual addressability enables luminaires to be communicated with each other within the zone/network. Luminaires can be grouped, trim and controlled by using the smart device app or connected wall switches. Scheduling, scene and sensors can be added for automation among the lights within the zone/group.

- **(-WBP)** Wireless bluetooth networked control with PIR occupancy and daylight harvesting sensor
- **(-WBM)** Wireless bluetooth networked control with microwave occupancy and photocell sensor
- **(-WBN)** Wireless bluetooth networked control (node only)



iOS/Andriod APP will be used to commission- ing or customize settings of options: -WBP/-WBM/-WBN networked controls.

EMERGENCY BACKUP Option

Emergency Battery Backup (-EM)



EMERGENCY
BACKUP
OPTION

FCPG series emergency backup models save time and cost in the installation. When there is a power outage, the emergency backup driver and battery will power the FCPG to a brightness of up to 1,000 lumen for at least 90 mins.

SECONDARY SURGE PROTECTOR Option

Secondary Surge Protector (-SP)



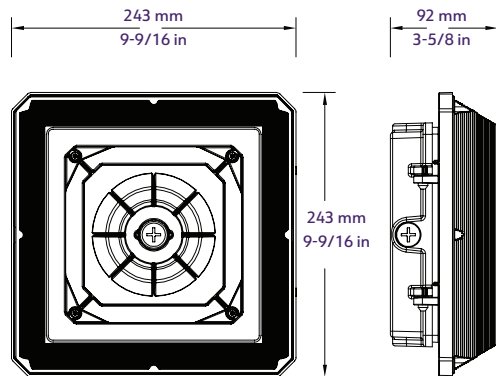
SECONDARY
SURGE PROTECTOR

Optional Secondary 10kV surge protector can act as the second line of defense, in addition to the LED driver's integrated lightning arrester.

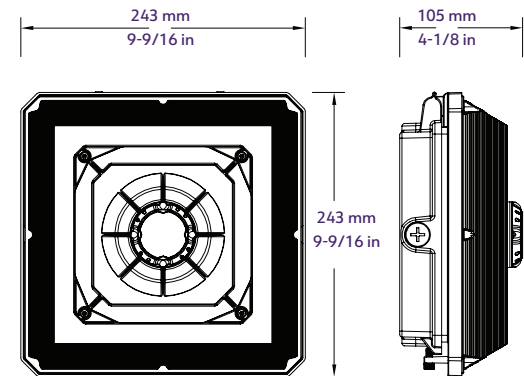
DIMENSIONS

weight 5 lbs

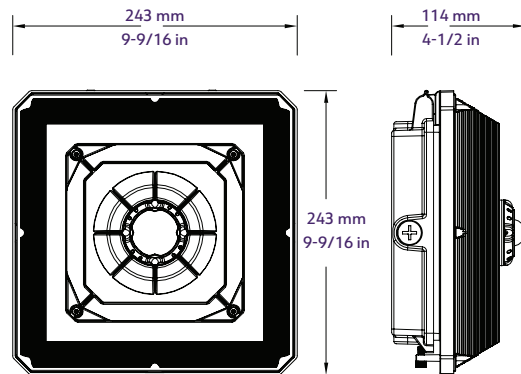
without sensor



with Microwave sensor



with PIR sensor



FINISHES

standard

white

NETWORKED CONTROLS MADE EASY

Keilton Networked Controls, a DLC® Qualified Networked Lighting Controls Product, make it easy for facilities to save energy, improve occupancy comfort and achieve code compliance by adding Luminaire Level Lighting Controls (LLLC) to indoor and outdoor applications. It allows for easy field installation of sensors and network nodes with selected PacLights controls ready fixtures. Using the Keilton app, nodes can be commissioned without the need for a gateway or internet access.



A Cost-Effective Decentralized Architecture
Direct Mobile Device Provisioning
Best-In-Class Scale, Performance & Reliability



LEARN MORE, VISIT
www.paclights.com/NLC



FEATURES

- Luminaire Level Lighting Control (LLLC)
- Bluetooth-enabled Mesh Networking of Luminaires and Devices
- Individual Addressability, address individual or multiple luminaires
- High-end and Low-end Trim
- Zoning & Grouping
 - ◊ Add and control up to 100 devices per zone
 - ◊ Add unlimited zones to scale for bigger installation
 - ◊ Create unlimited groups (combination of sensor or network nodes) within a zone
 - ◊ Link and control the whole group or zone
- Scene control
 - ◊ Create and link scenes to individual lights or groups within a zone
 - ◊ Select scene with App or wall switch
- Time Scheduling for individual lights, groups or scenes
- Sensors integrated with BLE, occupancy and daylight sensing
- Multi-level Dimming, Daylight Harvesting and Occupancy controls
- Manual/Automatic ON/OFF and Automatic partial ON/OFF control capability
- Control with wireless wall switch or smart device
- Secure commissioning with Keilton App
- Up to 100 ft node-to-node and 50 ft node-to-device
- Demand Response option (works with OpenADR gateways)
- Controlled 120v 20A Receptacle available
- Other control features to meet code compliance




Keilton and its logo is a trademark of Litetrace; **PacLights** and its logo is a trademark of PacLights, LLC
 DLC and its logo is a trademark of DesignLights Consortium.
 Keilton is the qualified system name listed on the DLC Networked Lighting Controls QPL.





NETWORKED CONTROLS for FCPG series



NETWORKED NODES ONLY

SKU	DESCRIPTION	FUNCTION	CONTROL ORDER CODE
KEILTON-WPPA102-AUX	 KEILTON WPPA102-AUX DC AUX BLUETOOTH MESH NODE	Enable network controlled - on & off, dim, trim, zone, group, scene & schedule, etc.	-WBN

NETWORKED NODES WITH SENSOR

SKU	DESCRIPTION	FUNCTION	CONTROL ORDER CODE
KEILTON-EFS106-AUX	 KEILTON EFS106-AUX DC AUX BLUETOOTH MESH NODE W/ PIR DLH SENSOR	Enable network controlled - on & off, dim, trim, zone, group, scene & schedule, etc. And, PIR occupancy & daylight (harvesting) sensing.	-WBP
KEILTON-EFS116-AUX	 KEILTON EFS116-AUX DC AUX BLUETOOTH MESH NODE W/ MICROWAVE PHOTOCCELL SENSOR	Enable network controlled - on & off, dim, trim, zone, group, scene & schedule, etc. And, Microwave occupancy & photo sensing	-WBM

Keilton and its logo is a trademark of Litetrace; PacLights and its logo is a trademark of PacLights, LLC
DLC and its logo is a trademark of DesignLights Consortium.
Keilton is the qualified system name listed on the DLC Networked Lighting Controls QPL.