



compact
LED Canopy Light

PROJECT: _____

DATE: _____

TYPE: _____

PREPARED BY: _____



KEY FEATURES
100,000-Hour LED lifespan
0-10V dimming standard on all models
Low glare drop lens
Standard surface or pendant mount
Retrofit option available



TECHNICAL SPECIFICATIONS

COMPLIANCE

UL Listed

Suitable for wet locations

IESNA LM79 & LM-80 Testing

PacLights LED luminaires have been tested by an independent laboratory in accordance with IESNA LM-79 and LM-80.

DLC Qualification

Selected models of this product are on the Design Lights Consortium (DLC) Qualified Products List and are eligible for rebates from DLC Member Utilities. To view our DLC qualified products, please consult the DLC Qualified Products List at www.design-lights.org/qpl

LED CHARACTERISTICS

LEDS

Long-life, high-efficacy, surface-mount LEDs

Lifespan

100,000-hour LED lifespan based on IES LM-80 results and TM-21 calculations

Color Rendering Index

>80

Beam Angle

120°

Color Uniformity

PacLights' range of Correlated Color Temperature follows the guidelines of the American National Standard for Specifications for the Chromaticity of Solid State Lighting (SSL) Products, ANSI C78.377-2017

ELECTRICAL

Drivers

0-10V Dimmable
Input Voltage: 120-277V, 50-60 Hz
Power Factor > 0.9
THD <15%

CONSTRUCTION

IP Rating

IP 65 Rated

Ambient Temperature

Suitable for up to 50° C (122° F) ambient temperature

Cold Weather Starting

The minimum starting temperature is -40 F°/-40° C

Housing

Die-cast aluminum housing

Gaskets

Silicon Gaskets

Finish

Our environmentally friendly polyester powder coatings are formulated for high-durability and long-lasting color, and contain no VOC or toxic heavy metals.

Mounting Methods

- Surface (included)
- 3/4" NPT threaded pendant (included)
- Retrofit 2'x2' canopy fixture (optional retrofit plate)

Green Technology

Mercury and UV free, and RoHS compliant. Polyester powder coat finish formulated without the use of VOC or toxic heavy metals.

Lens

Polycarbonate textured

OTHER

5-Year Limited Warranty**

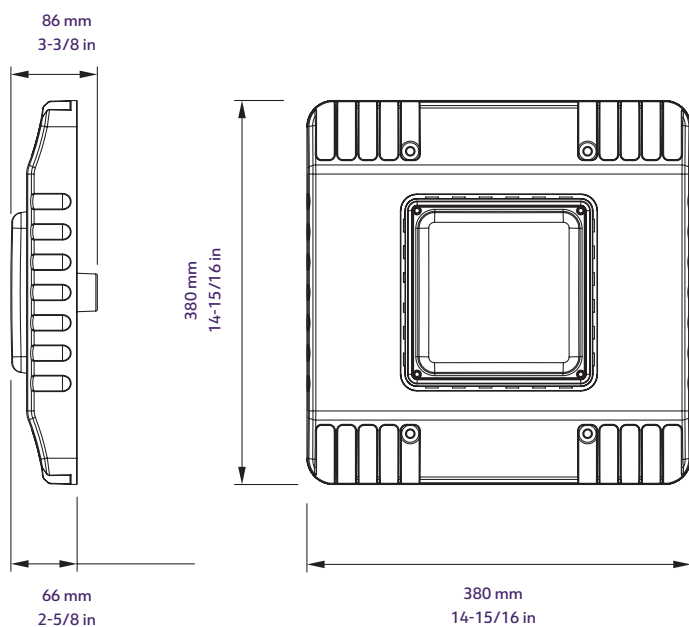
The PacLights 5-year, limited warranty covers light output, driver performance and paint finish.

**PacLights's warranty is subject to all terms and conditions found at paclights.com/warranty

TECHNICAL SPECIFICATIONS Continued

FCPC-095/120/150

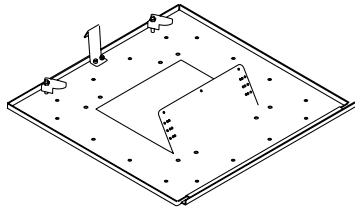
Weight 9.6 lbs



FINISHES

all models White

ACCESSORIES Optional



AC-CPA-RF
retrofit plate

RETROFIT PLATE

Retrofit plate is used to retrofit the FCPC with existing 2'x2' canopy light, without the need to remove the original housing of the fixture, to reduce the time and cost being spent on upgrading.

PERFORMANCE

FCPC - 095

95W	3000K Warm white	4000K Neutral	5000K Daylight	5700K Cool white
LUMENS	11,959	12,280	12,555	12,693

FCPC - 120

120W	3000K Warm white	4000K Neutral	5000K Daylight	5700K Cool white
LUMENS	15,000	15,802	15,812	15,817

FCPC - 150

150W	3000K Warm white	4000K Neutral	5000K Daylight	5700K Cool white
LUMENS	18,750	19,367	19,378	19,383

ORDERING INFORMATION

FCPC™

Family	Model	Color Temp	Options
FCPC	— [] — [] — []		
	095 95w	30 ¹ 3000K	RF retrofit plate for 2'x2' housing
	120 120w	40 ¹ 4000K	SP secondary surge protector
	150 150w	50 5000K	
		57 ¹ 5700K	

Note 1) available for special order