



The
FCPATM
Series

Low glare
LED Canopy Light





low glare
LED Canopy Light



PROJECT: _____

DATE: _____

TYPE: _____

PREPARED BY: _____



KEY FEATURES
100,000-Hour LED lifespan
0-10V dimming standard on all models
Low glare lens
Low profile slim design
Easy retrofitting with the extended housing size

TECHNICAL SPECIFICATIONS

COMPLIANCE

UL Listed

Suitable for wet locations

IESNA LM79 & LM-80 Testing

Paclights LED luminaires have been tested by an independent laboratory in accordance with IESNA LM-79 and LM-80.

DLC Qualification

Selected models of this product are on the Design Lights Consortium (DLC) Qualified Products List and are eligible for rebates from DLC Member Utilities. To view our DLC qualified products, please consult the DLC Qualified Products List at www.design-lights.org/qpl

LED CHARACTERISTICS

LEDS

Long-life, high-efficacy, surface-mount LEDs

Lifespan

100,000-hour LED lifespan based on IES LM-80 results and TM-21 calculations

Color Rendering Index

>80

Beam Angle

110°

Color Uniformity

Paclights' range of Correlated Color Temperature follows the guidelines of the American National Standard for Specifications for the Chromaticity of Solid State Lighting (SSL) Products, ANSI C78.377-2017

ELECTRICAL

Drivers

0-10V Dimmable
Input Voltage: 120-277V, 50-60 Hz
Power Factor > 0.9
THD <15%

CONSTRUCTION

IP Rating

IP 65 Rated

Ambient Temperature

Suitable for up to 50° C (122° F) ambient temperature

Cold Weather Starting

The minimum starting temperature is -40 F°/-40° C

Housing

Die-cast aluminum housing

Gaskets

Silicon Gaskets

Finish

Our environmentally friendly polyester powder coatings are formulated for high-durability and long-lasting color, and contain no VOC or toxic heavy metals.

Mounting Methods

Surface mount - fixture housing to be installed below the canopy ceiling surface, conduit connected external driver box to be installed above canopy ceiling surface

Green Technology

Mercury and UV free, and RoHS compliant. Polyester powder coat finish formulated without the use of VOC or toxic heavy metals.

Lens

Polycarbonate frosted

OTHER

5-Year Limited Warranty**

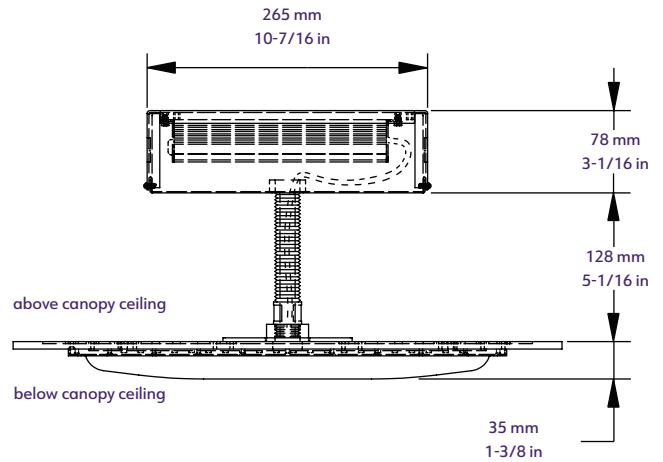
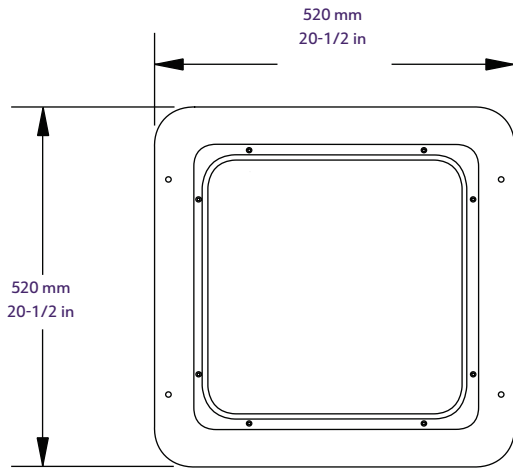
The PacLights 5-year, limited warranty covers light output, driver performance and paint finish.

**PacLights's warranty is subject to all terms and conditions found at paclights.com/warranty

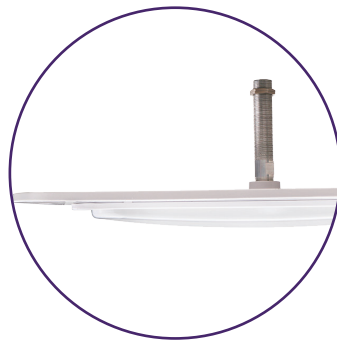
TECHNICAL SPECIFICATIONS Continued

FCPA/2 - all models

Weight 16.5 lbs



FINISHES	
all models	White



PERFORMANCE

FCPA/2 - 150

150W	4000K Neutral	5000K Daylight	5700K Cool white
LUMENS	21,043	21,057	21,064

FCPA/2 - 180

180W	4000K Neutral	5000K Daylight	5700K Cool white
LUMENS	25,403	25,420	25,428

FCPA/2 - 240

240W	4000K Neutral	5000K Daylight	5700K Cool white
LUMENS	34,448	34,776	35,103

ORDERING INFORMATION

FCPA™ generation 2

Family	Model	Color Temp
FCPA/2	— [] — []	
	150 150w	40 4000K
	180 180w	50 5000K
	240 240w	57 ¹ 5700K

Note 1) available for special order