



**OVERVIEW**

The FHUS is designed to perform at a price that makes sense. Get quick payback with up to 80% reduction in maintenance and energy costs compared to conventional metal halide systems. All FHUS models comes standard with a Bi-Level Dimming (step-dimming) sensor for further energy reductions.

**APPLICATIONS**

The FHUS is an efficient wet location high bay suitable for a variety of areas including warehouses, gyms, covered outdoor areas, garden centers, and mezzanines.

- Programmable Bi-level Sensor Included
- Efficacy: up to 155 LPW
- Lumen Output: 7,000 - 40,000 LM
- Wattage: 60 - 250 W



**Project:**

**Type:**

**Prepared By:**

**Date:**



Models	Watts(W)	Lumens (LM)	Efficacy (LPW)
FHUS060	60	7,664	134
FHUS080	80	11,989	155
FHUS100	100	15,219	154
FHUS120	120	18,167	153
FHUS150	150	23,356	152
FHUS200	200	32,264	155
FHUS250	250	39,320	155

\* Lumen output based on 5000K

**Technical Specifications**

**Warranty**

Paclights warrants these LED products will be free from defects in materials and workmanship for a period of five (5) years from the date of delivery to the end user, including coverage of light output, color stability, driver performance and fixture finish. Please refer to our full warranty.

**Qualifications**

**UL Listing**

E473037

**IESNA LM79 & LM-80 Testing**

Paclights LED luminaires have been tested by an independent laboratory in accordance with IESNA LM-79 and LM-80.

**DLC Qualification**

Selected models of this product are on the Design Lights Consortium (DLC) Qualified Products List and are eligible for rebates from DLC Member Utilities. To view our DLC qualified products, please consult the DLC Qualified Products List at [www.designlights.org/qpl](http://www.designlights.org/qpl)

**Construction**

**IP Rating**

Ingress Protection rating of IP65 for dust and water

**Ambient Temperature**

Suitable for up to 113° F (45° C) ambient temperature

**Cold Weather Starting**

The minimum starting temperature is -4 F° (-20° C)

**Housing**

Die-cast aluminum housing

**Mounting Methods**

Hook mount, Trunnion mount. (included)  
Conduit (NPT 3/4) pendant mount. (optional)

**LED Characteristics**

**Lifespan**

100,000-hour LED Lifespan based on IES LM-80 results and TM-21 calculations.

**Color Temperature**

3000K / 4000K / 5000K / 5700K

**Color Rendering Index**

CRI > 70

**Construction (continue)**

**Gaskets**

Silicon Gaskets

**Finish**

Our environmentally friendly polyester powder coating are formulated from high-durability and long-lasting color, and contains no VOC or toxic heavy metals.

**Lens**

Polycarbonate. Optional Prismatic Acrylic Reflector

**Driver**

Input Voltage AC100-277V, 50/60 Hz  
or AC 200-480V, 50/60 Hz  
(on 100-250W HV model)

0-10v dimmable LED drivers provides smooth and continuous dimming.

Power Factor >0.9

Wattage - 60w, 80w, 100w, 120w, 150w, 200w, 250w

**Ordering Matrix**

Family	Models	Color Temperature	Voltage	Lens Beam Angle	Optional Addons
FHUS	60 60W	30 3000K	LV 100-277v	120 120 degree	<b>[blank]</b> No options <b>EM</b> Emergency backup <b>CM</b> Conduit(NPT 3/4) mount kit <b>RF</b> 90 degree prismatic reflector <b>CV</b> <sup>2</sup> Prismatic drop lens w/clamp band <b>DH</b> <sup>3</sup> Daylight harvesting sensor
	80 80W	40 4000K	HV <sup>1</sup> 200-480v	60 <sup>4</sup> 60 degree	
	100 100W	50 5000K			
	120 120W	57 5700K			
	150 150W				
	200 200W				
	250 250W				

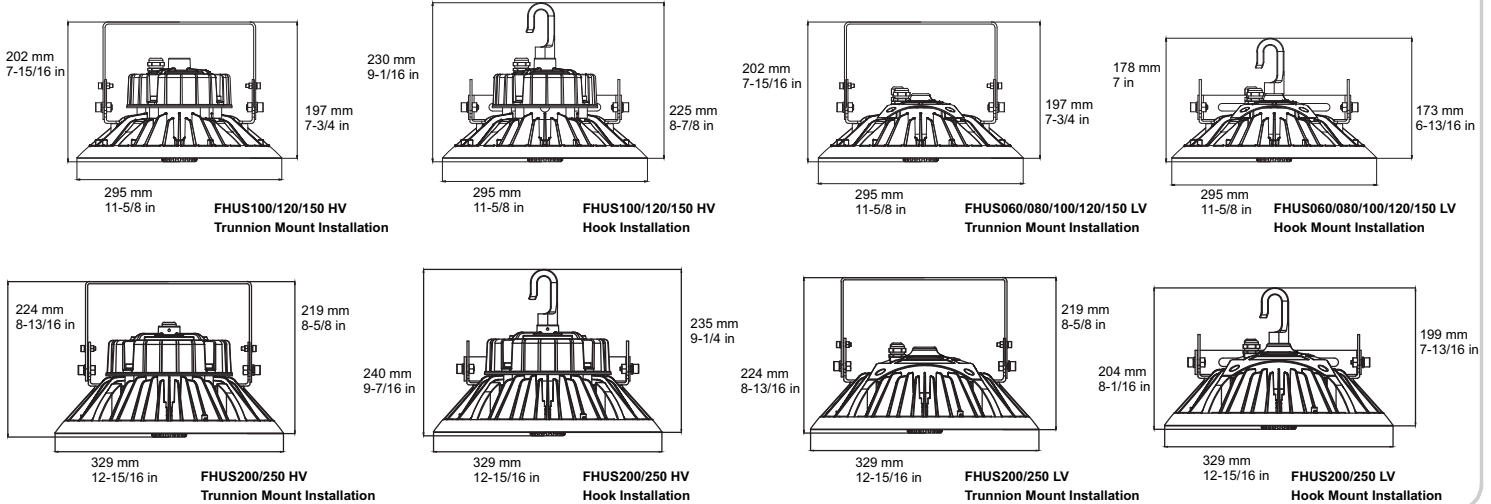
Note <sup>1</sup> 100w/120/150/200/250w only

<sup>2</sup> require reflector, can only affix one accessory to a reflector.

<sup>3</sup> require conduit mount kit

<sup>4</sup> extra cost may apply

## Dimensions



## Performance

CCT	60W			80W			100W		
	3000K	4000K	5000K	3000K	4000K	5000K	4000K	5000K	5700K
Lumens	7422	7548	7664	11633	11811	11989	15038	15219	15400
Efficacy (lm/W)	130	132	133	150	152	155	152	154	156
Color Accuracy (CRI)	93	93	93	73	73	73	72	70	70
CCT	120W			150W			200W		
	4000K	5000K	5700K	4000K	5000K	5700K	4000K	5000K	5700K
Lumens	17952	18167	18382	23080	23357	23634	30894	31264	31635
Efficacy (lm/W)	151	153	155	152	152	152	154	155	157
Color Accuracy (CRI)	70	70	70	70	70	70	70	70	70
CCT	250W			150W HV			250W HV		
	4000K	5000K	5700K	4000K	5000K	5700K	4000K	5000K	5700K
Lumens	38847	39320	39778	22508	22845	23183	37146	37710	38275
Efficacy (lm/W)	153	155	156	153	155	157	152	155	157
Color Accuracy (CRI)	72	73	73	70	70	70	72	73	74

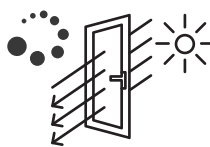
### Programmable Bi-Level Dimming Sensor - Standard



When the control senses movement, it raises the fixture's light level to 100% output and remains at full brightness as long as it senses movement. When movement is no longer detected, its internal timer begins counting. If the set period of time expires, the fixture will dim down to your selected dimming level (50%, 30%, 20% or 10% light output). Then, depending on your selected timer settings, the fixture can either remain at this dimmed level for a continuous amount of time, or, turn completely off after a set period of inactivity. Once the fixture senses movement, it will return to full output and the process begins again.

*Bi-Level sensor preset: 5 minutes hold time till dim to 30%, standby for another 10 minutes until completely turn-off. Wireless Programming Device (SE-HS-HD05R) sold separately.*

### Daylight Harvesting Sensor - SE-MT-MS01 (optional)



Daylight Harvesting Sensor is a control device that reduces electric light in building interiors when daylight is available, in order to reduce energy consumption. Daylight harvesting takes advantage of naturally available light, is a key energy-saving strategy for commercial spaces. The principle is simple: the electric lights in a space can automatically be dimmed down when enough natural light is entering the space. Target light level is adjustable.

*\* require conduit mount kit, but is not restricted to conduit mount installation (NPT 3/4 hook sold separately)*

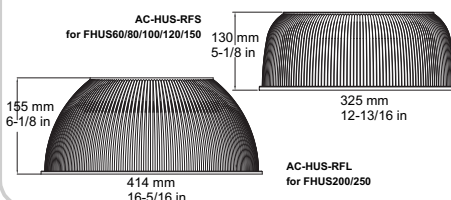
### Emergency Backup - EMU-40 (optional)



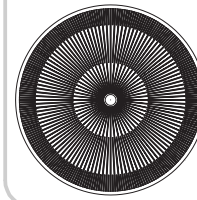
When there is a power outage, the emergency backup will power the FHUS to an reduced brightness for at least 90 mins. This self-tested device will perform a 30-second discharge test once a month and a full 90-minute discharge test once a year. If the unit detect any problems, the indicator will flash.

*\* wireless manual emergency test remote EMU-TRM sold separately*

### 90° Prismatic Reflector (optional)



### Prismatic Drop Lens (optional)



AC-HUS-CVS for FHUS60/80/100/120/150

AC-HUS-CVL for FHUS200/250

*Note: require reflector, can only affix one accessory to a reflector.*