



OVERVIEW

The FVTA series LED vapor tight lights are engineered for powerful lighting in harsh environments. A vapor tight housing protects the light source from water and dirt, while new generation LEDs and drivers provide higher efficacy and greater energy savings. The IP66-rated fixtures are designed to replace less-efficient fluorescent vapor tight strip lights or high bays.

FEATURES

- Limited Warranty: 5 Years
- Efficacy: up to 130 LPW
- Lumen Output: 4,680 - 26,000 LM
- Wattage: 36 - 200 W
- IP 66, IK 10 rated

APPLICATIONS

This light can be used in car wash operations, airports, tunnels, maintenance areas, parking garages, warehouses and stairwells.



Project:

Type:

Prepared By:

Date:

Models

Model	Length	Watts(W)	Lumens (LM)	Efficacy (LPW)
FVTA4DUV36	4 ft	36	4,680	130
FVTA4DUV46	4 ft	46	5,980	130
FVTA4DUV65	4 ft	65	8,450	130
FVTA4DUV100	4 ft	100	13,000	130
FVTA4DUV150	4 ft	150	19,500	130
FVTA4DUV200	4 ft	200	26,000	130
FVTA8DUV65	8 ft	65	8,450	130
FVTA8DUV100	8 ft	100	13,000	130

HIGH BAY

Lumen Output based on universal voltage models at 5000K.

Technical Specifications

Warranty

Paclights warrants these LED products will be free from defects in materials and workmanship for a period of five (5) years from the date of delivery to the end user, including coverage of light output, color stability, driver performance and fixture finish. Please refer to our full warranty.

Qualifications

ETL Listed;

IESNA LM79 & LM-80 Testing:

Paclights LED luminaires have been tested by an independent laboratory in accordance with IESNA LM-79 and LM-80.

DLC Qualification:

Selected models of this product are on the Design Lights Consortium (DLC) Qualified Products List and are eligible for rebates from DLC Member Utilities.

To view our DLC qualified products, please consult the DLC Qualified Products List at www.designlights.org/qpl

NSF Certified Food Equipment

Construction

IP Rating:

Ingress Protection rating of IP66 for dust and water

IK Rating:

Impact Protection rated IK10.

Ambient Temperature:

Suitable for up to 113° F (45° C) ambient temperature

Cold Weather Starting:

The minimum starting temperature is -4 F° (-20° C)

Housing:

One piece (PC) Polycarbonate housing body.

Mounting Methods:

Surface mount.

LED Characteristics

LEDs:

Long-life, high-efficiency surface mounting LEDs

Color Temp: 3000K, 4000K, 5000K, 5700K

Color Rendering Index: >80

Construction (continue)

Gaskets:

Silicon Gaskets

Finish:

Non-Corrosive (PC) Polycarbonate housing. Stainless Steel spec grade hasps and clips

Lens:

Translucent white lens.

Driver Info

Input Voltage:

AC 100-277V, 50-60 Hz. Optional AC 480V.

Dimming:

0-10 V Dimmable

Power Factor:

>0.9

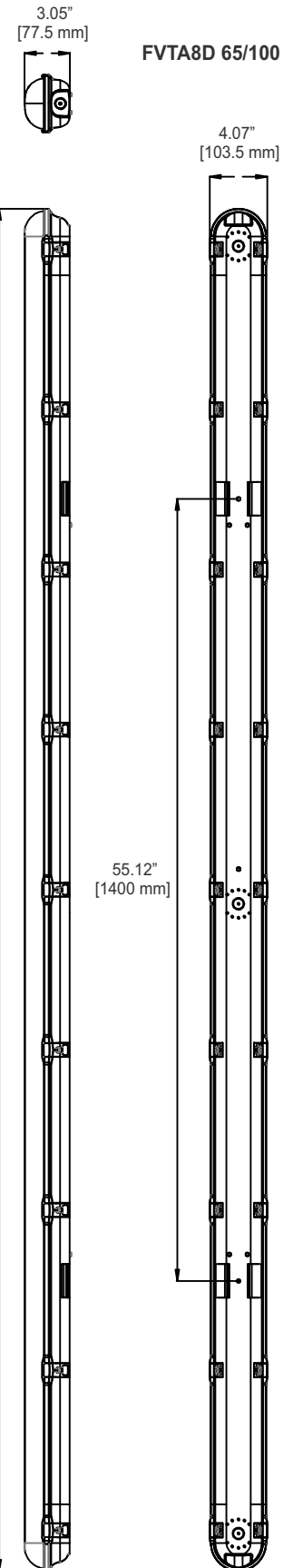
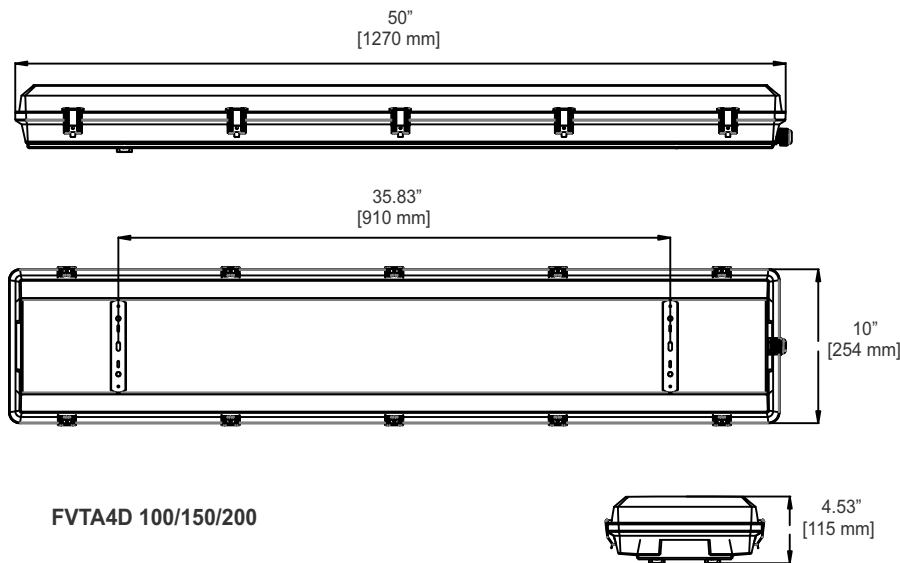
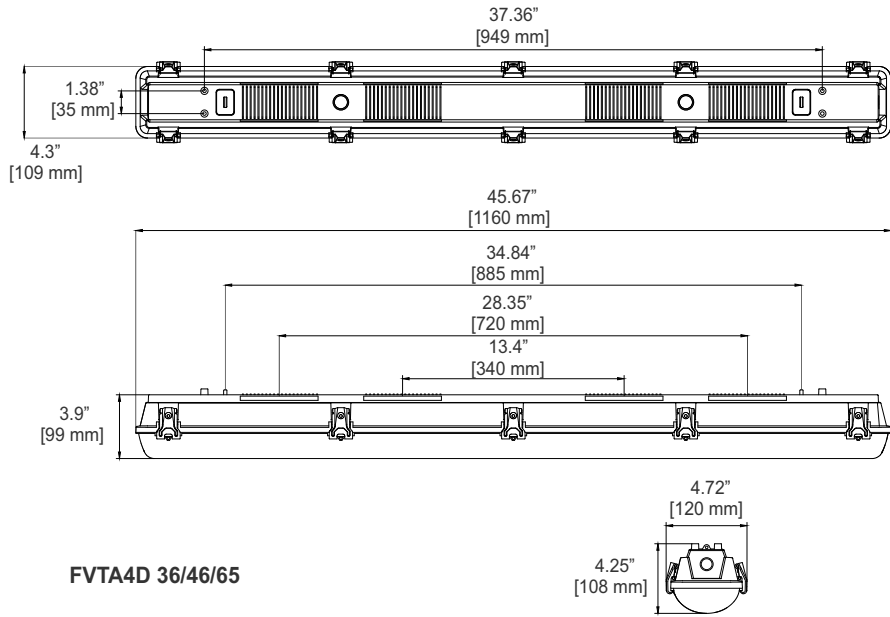
Wattage:

36 W, 46 W, 65 W, 100 W, 150 W, 200 W

Ordering Matrix

Family	Length	Input Voltage	Model	Light Color Temperature	Lens	Option
FVTA						
	4D 4 ft	UV 100-277v HV 480v	36 36w 46 46w	3000 3000k 4000 4000k	FL frosted white (36/46/65w)	[blank] None
	8D 8 ft (65w/100w only)		65 65w 100 100w 150 150w 200 200w	5000 5000k 5700 5700k	CL semi-transparent (100/150/200w)	MM Internal Bi-Level EM MotionSensor Emergency Kit

Dimensions



Optional Integrated Microwave Occupancy Sensor



FOR
FVTA4D 36/46/65
FVTA8D 65/100

SE-MT-MC077V	
VOLTAGE	100-277v
3-STEP DIMMING	YES
HOLD TIME	5s/5m/10m/30m
STANDBY DIM	25%/50%
STANDBY TIME	0s/5m/15m/infinite
MOUNT HEIGHT	13 ft
DAYLIGHT SENSOR	YES



FOR
FVTA4D 100/150/200
(HIGH BAY)

SE-MT-MC601V	
VOLTAGE	100-277v
3-STEP DIMMING	YES
HOLD TIME	5s/30s/90s/3m/20m/infin.
STANDBY DIM	10%/20%/30%/50%
STANDBY TIME	0s/5s/5m/10m/30m/1h/infin.
MOUNT HEIGHT	49 ft
DAYLIGHT SENSOR	YES