

OVERVIEW

The BW series LED bulb is the most versatile LED bulb for commercial use. Built in surge protection ensures reliable performance in variety of applications.

APPLICATIONS

Recessed lighting, area lights, wall lights, highbay, canopies, and other commercial lighting fixtures.

FEATURES

- Limited Warranty: 5 Years
- Efficacy: up to 144 LPW
- Lumen Output up to 15,500 L
- Wattage: 15 - 125 W
- 50 - 400W HID Replacement
- 30 - 200w CFL Replacement
- Self Ballasted



Project:

Type:

Prepared By:

Date:

Models

CCT	Models / Lumen									
	BW15	BW19	BW24	BW27	BW36	BW45	BW54	BW80	BW100	BW125
3/5000K	1,950	2,170	2,470	2,750	3,100	3,480				
3000K	3,218	4,340	5,126	6,015	9,569	12,170	14,645			
3500K	3,088	4,111	5,264	6,316	9,672	12,303	14,811			
4000K	3,115	4,128	5,325	6,370	9,774	12,437	14,977			
5000K	3,143	4,145	5,386	6,423	9,876	12,570	15,143			
5700K	3,225	4,196	5,571	6,584	10,081	12,836	15,475			

Technical Specifications

Warranty

Paclights warrants these LED products will be free from defects in materials and workmanship for a period of five (5) years from the date of delivery to the end user, including coverage of light output, color stability, driver performance and fixture finish. Please refer to our full warranty.

Qualifications

UL Listing:
E466044

IESNA LM-79 & LM-80 Testing:

Paclights LED luminaires have been tested by an independent laboratory in accordance with IESNA LM-79 and LM-80.

DLC Qualification:

Selected models of this product are on the Design Lights Consortium (DLC) Qualified Products List and are eligible for rebates from DLC Member Utilities. To view our DLC qualified products, please consult the DLC Qualified Products List at www.designlights.org/qpl

LED Characteristics

Lifespan:

100,000- hour LED lifespan based on IES LM-80 results and TM-21 calculations.

LEDs:

Multi-chip, high-output, long-life LEDs

Color Stability:

LED color temperature is warranties to shift no more than 200K in CCT over a 3 year period.

Color Uniformity:

PacLight's range of CCT (Correlated Color Temperature) follows the guidelines of th American National Standard for Specifications for the Chromaticity of Solid State Lighting (SSL) Products, ANSI C78.377-2011

Color Rendering Index (CRI):

>80

Electrical

100-277v, 50-60 Hz, PF >0.90, THD 15%
4kv (6kv for BW80/100/125) surge protection.
optional 480v with external transformer

Construction

IP Rating:

IP64. complete protection from infiltration of dust. protection from splashed water.

Dimensions:

see 2nd page

Weight:

BW15/19/24 - 0.62/0.64/0.75 lb

BW27/36/45/54 - 1.28/1.46/1.68/1.7 lb

BW80/100/125 - 3.27/3.44/3.64 lb

Base: E26* (Medium Base) or E39* (Mogul Base)

Lens: Polycarbonate

Ambient Temperature:

Suitable for 55°C (131°F) ambient temperature

Cold Weather Starting:

The minimum starting temperature is -4 F°/-20° C

Application Suggestion

Replace CFL/HID lamps, bypass ballast or starter. Lamp can be installed in any direction. Not dimmable.

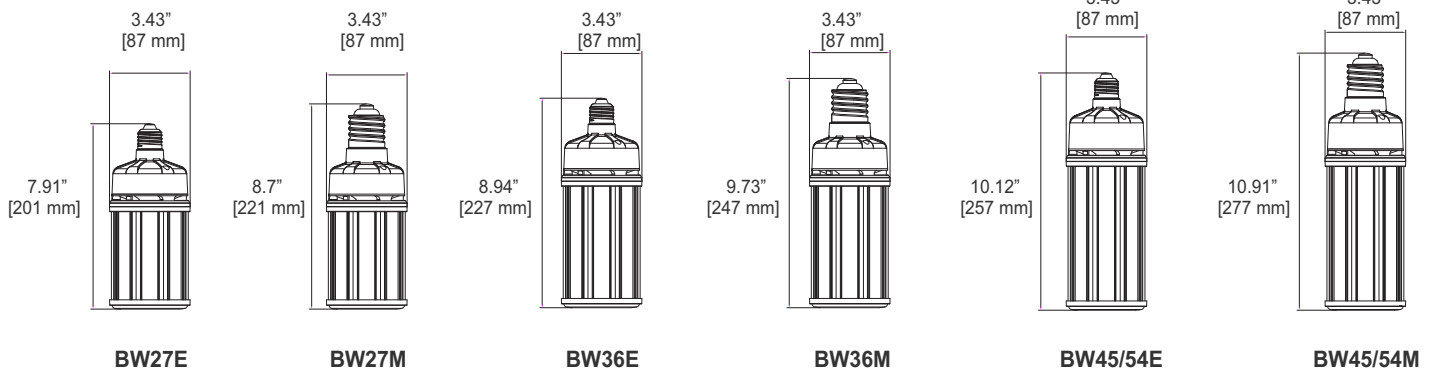
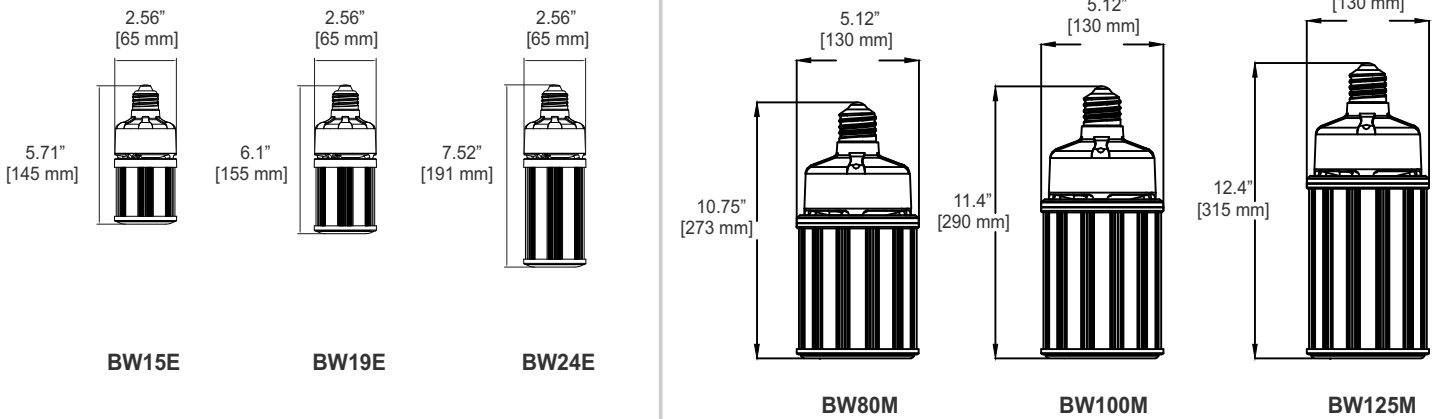
*may not available in all wattage

Ordering Matrix

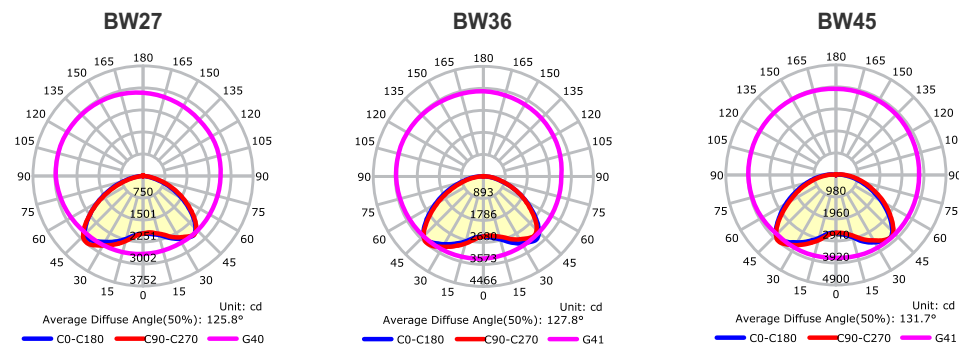
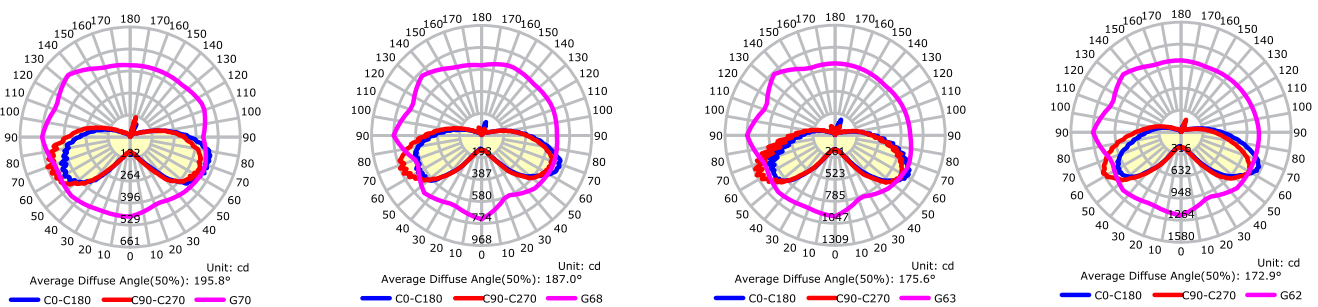
Family	Wattage		Base	Color Temperature	Diffuser
BW	54		M	5000	C
	Medium Base ONLY:		M = E39 Mogul	3000 = 3000 K	C = Clear
	15 = 15 W	19 = 19 W	E = E26 Medium	3500 = 3500 K	F = Frosted
	24 = 24 W			4000 = 4000 K	
		Medium or Mogul Base:		5000 = 5000 K	
		27 = 27 W		5700 = 5700 K	
		36 = 36 W			
		45 = 45 W			
		54 = 54 W			
		Mogul Base ONLY:			
		80 = 80 W			
		100 = 100 W			
		125 = 125 W			

*may not available in all wattage

Dimensions



Luminous Intensity Distribution Curve



Retrofit Recommendation Chart

Model	CFL	HID
BW27	60w	100w
BW36	80w	150w
BW45	100w	150w
BW54	100w+	150w+
BW80	150w	250w
BW100	200w	250w+
BW125	200w+	400w