



OVERVIEW

The FHW Series High Bays are high performance LED fixtures ranging from 300 watt to 480 watt. Available for 100-277V or in 300-480V. This product can also be ordered in a White housing finish, and with LED color temperatures varying from 3000K to 5700K.

APPLICATIONS

This light can be used for indoor or outdoor applications. Typically used for warehouses, garages, gymnasiums or buildings with high ceilings and high mounting heights to cover large areas of space. This product also has multiple mounting methods for varies types of applications.

- Limited Warranty: 5 Years
- Efficacy: up to 140 LPW
- Lumen Output: 43,000-69,000 L
- Wattage: 300 - 480 W



Project:

Type:

Prepared By:

Date:

Models

Model	Watts(W)	Lumens (LM)	Efficacy (LPW)
FHW300	300	43,221	140
FHW400	400	57,245	140
FHW480	480	68,739	140

*Lumen Values shown in Color Temperature of 5000 K. Also available in Color Temperatures of 3000K, 3500K, 4000K, 4500K, and 5700K.

Technical Specifications

Warranty

Paclights warrants these LED products will be free from defects in materials and workmanship for a period of five (5) years from the date of delivery to the end user, including coverage of light output, color stability, driver performance and fixture finish. Please refer to our full warranty.

Qualifications

ETL Listing:

ETL Listed, conforms to UL STD 1598; Certified to CSA STD C22.2 No.250.0
Suitable for Wet Locations

IESNA LM79 & LM-80 Testing:

Paclights LED luminaires have been tested by an independent laboratory in accordance with IESNA LM-79 and LM-80.

DLC Qualification:

Selected models of this product are on the Design Lights Consortium (DLC) Qualified Products List and are eligible for rebates from DLC Member Utilities. To view our DLC qualified products, please consult the DLC Qualified Products List at www.designlights.org/qpl

Construction

IP Rating:

Ingress Protection rating of IP65 for dust and water

Ambient Temperature:

Suitable for up to 50° C (122° F) ambient temperature

Cold Weather Starting:

The minimum starting temperature is -40° F/-40° C

Thermal Management:

Active thermal management with external Air-Flow fins.

Housing:

Die-cast aluminum housing

Mounting Methods:

- Hook mount. (included)
- Surface mount, 0-90° trunnion. (included)
- Pendant Mount for 3/4" NPS conduit, feed cord through conduit. (included)
- Slipfitter Mount for 2" Pole or Tenon. (optional)

LED Characteristics

LEDs:

Long-life, high-efficiency surface mounting LEDs
Color Temp: 3000K, 3500K,4000K, 4500K, 5000K, 5700K

Construction (continue)

Gaskets:

Silicon Gaskets

Finish:

Our environmentally friendly polyester powder coating are formulated from high-durability and long-lasting color, and contains no VOC or toxic heavy metals.

Lens:

Polycarbonate

Driver Info

Input Voltage: AC100-277V, 50-60 Hz
or AC 300-480V, 50-60 Hz

Power Factor : >95%

Operating Temperature: -40° F (-40° C)
to 122° F (50° C)

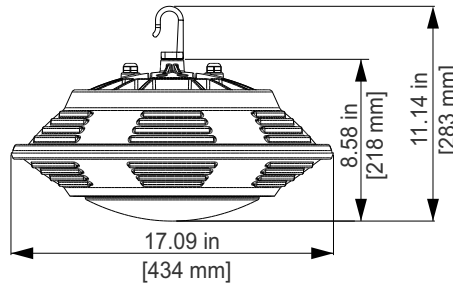
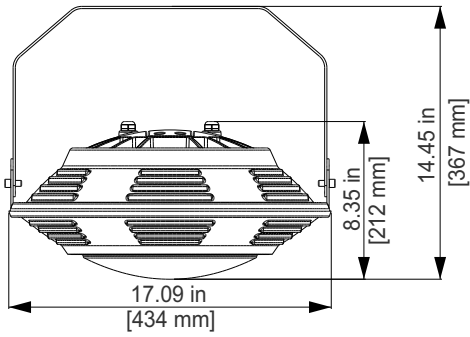
Operating Humidity: 20% to 75% RH

Wattage: 300 W, 400 W, 480 W

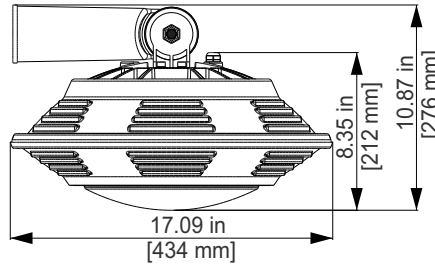
Ordering Matrix

Family	Watts	Color Temperature	Light Distribution	Voltage	Housing Color	Optional Add-ons
FHW	300	50	120	LV	B	HWSF
	300 = 300W 400 = 400W 480 = 480W	30 = 3000 K 35 = 3500 K 40 = 4000 K 45 = 4500 K 50 = 5000 K (pre-conf.) 57 = 5700 K	120 = 120° (pre-conf.) 90 = 90° - optional (with ACHWRF90)	LV = 100-277v HV = 300-480v	B = Black (pre-conf.) W = White	HWSF = ACHWSF FLSFS = ACFLSF

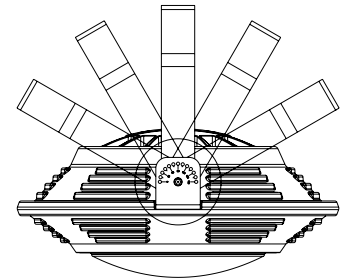
Dimensions



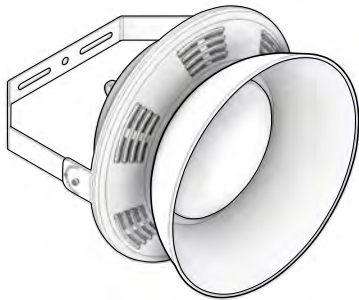
with included hook installed



with Optional On-Fixture Slipfitter Mount (ACHWSF)



with included Trunion Mount (adjustable 180° angle range)

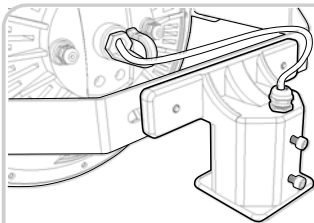
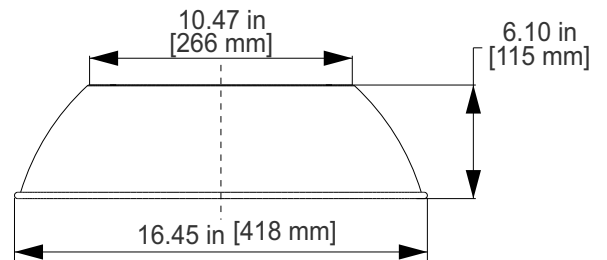


ACHWRF90 - 90° Reflector

The ACHWRF90 aluminum dome is used to adjust the default 120° beam angle on the FHW fixture to a 90° beam angle.

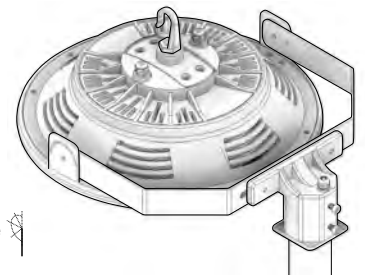
Typical application is for aisles in warehouses.

Dimensions

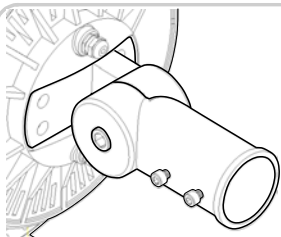


ACFLSF - "On-Trunion Mount" Slipfitter

The ACFLSF Slipfitter is installed onto the included trunion mount of the FHW fixture. This will be the appropriate choice to be installed on a vertical pole.

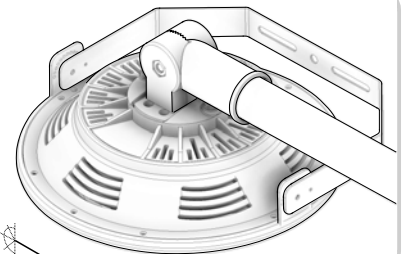


180° range



ACHWSF - "On-Fixture" Slipfitter

The ACHWSF slipfitter is mounted directly onto the FHW fixture and fits over a 2" Pole or Tenon. It is able to adjust in various angles that would best fit the most convenient tilt for the application its being used for.



180° range