



OVERVIEW

A slim design and a high lumen output of up to 63,000 LM makes the FFH Series of LED floods a great light for your higher mounted projects. These fixtures are IP65 rated, each unit comes with an adjustable trunnion mount and well as a slip-fitter option for selected models. The FFH floods can be offered in both high or Universal voltage options as well as various color temperature. Some applications for these LEDs include: Sport fields, and large area lighting.

FEATURES

- Limited Warranty: 5 Years
- Efficiency: up to 110 LPW
- Lumen Output: 28,000-63,000 L
- Wattage: 280- 600 W

Project:

Type:

Prepared By:

Date:

Models

| Model | Watts(W) | Lumens (LM) | Efficiency (LPW) |
|--------|----------|-------------|------------------|
| FFH280 | 280 | 31204 | 111 |
| FFH400 | 400 | 44479 | 111 |
| FFH600 | 600 | 63668 | 106 |

*Lumen Output based on 277V models at 5700K. Also available in Color Temperatures of 4000K, 4500K, and 5000K.

Technical Specifications

Warranty

Paclights warrants these LED products will be free from defects in materials and workmanship for a period of five (5) years from the date of delivery to the end user, including coverage of light output, color stability, driver performance and fixture finish. Please refer to our full warranty.

Qualifications

ETL Listing:

Suitable for Wet Locations

IESNA LM79 & LM-80 Testing:

Paclights LED luminaires have been tested by an independent laboratory in accordance with IESNA LM-79 and LM-80.

DLC Qualification:

Selected models of this product are on the Design Lights Consortium (DLC) Qualified Products List and are eligible for rebates from DLC Member Utilities. To view our DLC qualified products, please consult the DLC Qualified Products List at www.designlights.org/qpl

Construction

IP Rating:

Ingress Protection rating of IP65 for dust and water

Ambient Temperature:

Suitable for up to 122°F (50°C) ambient temperature

Cold Weather Starting:

The minimum starting temperature is -40°F/-40°C

Thermal Management:

Superior thermal management with external Air-Flow fins.

Housing:

Aluminum housing with powder coating.

Mounting Methods:

Heavy-duty Trunnion Mount included. Slipfitter mounting option available.

Lens:

Polycarbonate

Gaskets:

Silicon Gaskets

Finish:

Our environmentally friendly polyester powder coating are formulated from high-durability and long-lasting color, and contains no VOC or toxic heavy metals.

Light Beam Angle:

60°

Electrical

Drivers:

100-277V, 50-60 Hz, Power Factor > 95%

LED Characteristics

Lifespan:

100,000- hour LED lifespan based on IES LM-80 results and TM-21 calculations.

LEDs:

Multi-chip, high-output, long-life LEDs

Color Temp:

3000K, 3500K, 4000K, 4500K, 5000K, 5700K

Color Stability:

LED color temperature is warranted to shift no more than 200K in CCT over a 5 year period

Color Uniformity:

PacLights range of CCT (Correlated Color Temperature) follows the guidelines of the American National Standard for Specifications for the Chromaticity of Solid State Lighting (SSL) Products, ANSI C78.377-2011

Color Rendering Index:

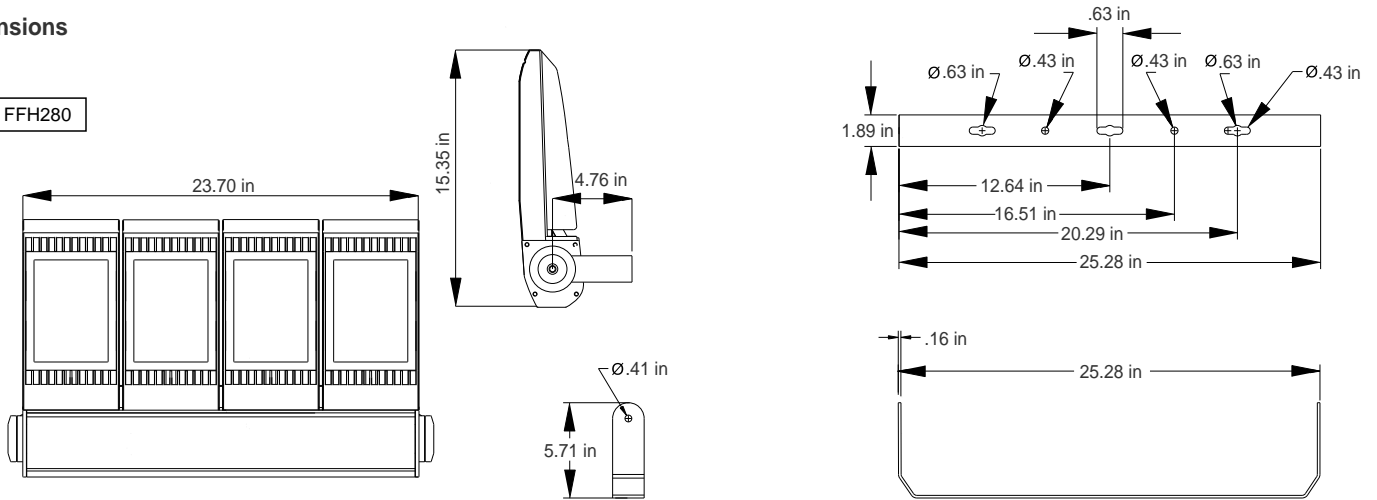
>73

Ordering Matrix

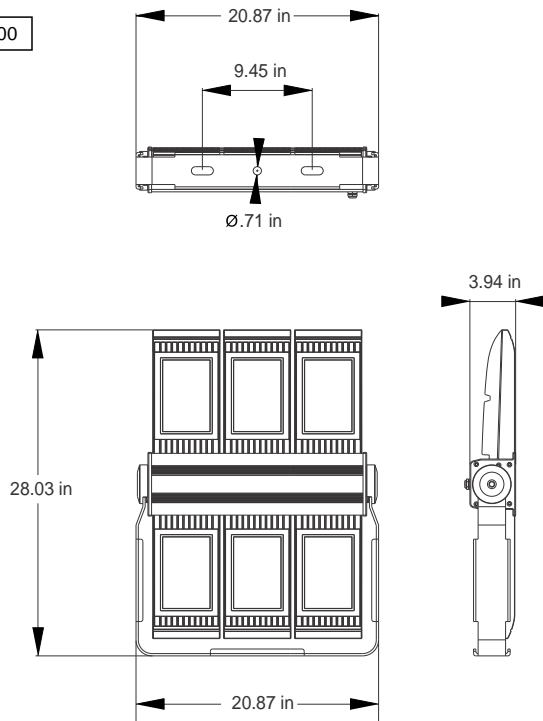
| Family | Watts | Color Temperature | Voltage | Housing Finish | Optional Add-ons |
|--------|--|---|------------------------------|-------------------------|------------------------------------|
| FFH | 280 | 57 | LV | B | SF |
| | 280 = 280w 400 = 400w 600 = 600w | 30 = 3000 K (warm white) 35 = 3500 K 40 = 4000 K (natural white) 45 = 4500 K 50 = 5000 K (daylight) 57 = 5700 K (cool white) | LV = 100-277 HV = 277-480 | S = Silver B = Black | SF= ACFH280SF (for FFH280 only) |

Dimensions

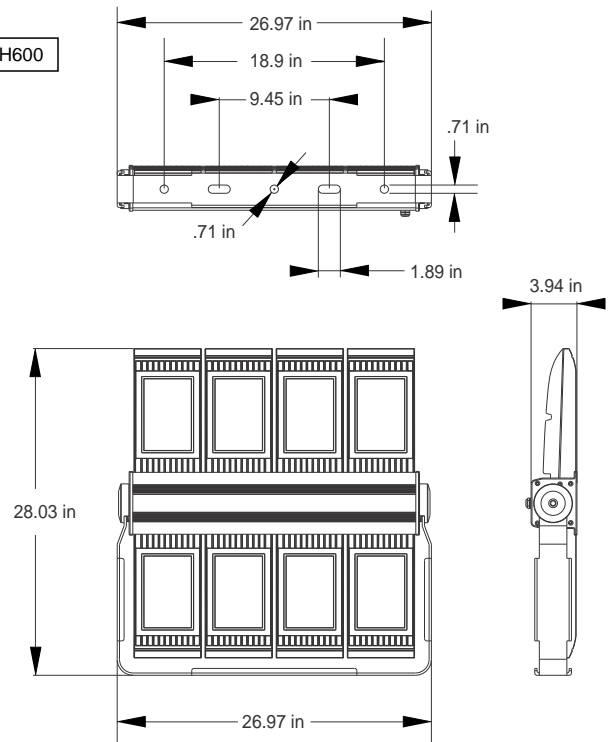
FFH280



FFH400

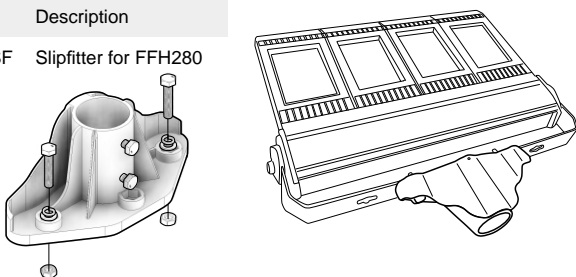


FFH600



Optional Add-ons - field installed

| SKU | Description |
|-----------|-----------------------|
| ACFH280SF | Slipfitter for FFH280 |



Application

