



**OVERVIEW**

The FCPB series is LED Canopy luminaire comes in a slim and high efficiency design, it is IP65 rated for outdoor applications. It makes service islands more inviting, drivers feel safer and better informed, and interior aisles and shelves pop. Meanwhile, PacLights LED lighting solutions reduce energy usage by up to 70% and require virtually no maintenance for over 5 years.

**APPLICATION**

Gasoline station, automobile service station, canopy of other buildings.

**FEATURES**

- Superior Slim Design
- Multiple Mounting Option
- Efficacy: up to 118 LPW
- Wattage: 130 W
- Lumen Output: 15,000 L



Project:

Type:

Prepared By:

Date:

**Models**

Model	CCT	Lumens (LM)	Efficacy(LPW)
FCPB130-40	4000K	14,800	117
FCPB130-45	4500K	14,800	117
FCPB130-50	5000K	14,800	117
FCPB130-57	5700K	15,240	118

**Technical Specifications**

**Warranty**

Paclights warrants these LED products will be free from defects in materials and workmanship for a period of five (5) years from the date of delivery to the end user, including coverage of light output, color stability, driver performance and fixture finish. Please refer to our full warranty.

**Qualifications**

**UL Listed:**

UL File# E473037. Suitable for wet locations

**IESNA LM79 & LM-80 Testing:**

Paclights LED luminaires have been tested by an independent laboratory in accordance with IESNA LM-79 and LM-80.

**DLC Qualification:**

Selected models of this product are on the Design Lights Consortium (DLC) Qualified Products List and are eligible for rebates from DLC Member Utilities. To view our DLC qualified products, please consult the DLC Qualified Products List at [www.designlights.org/qpl](http://www.designlights.org/qpl)

**Construction**

**Green Technology:**

Mercury and UV free, and RoHS compliant. Polyester powder coating are formulated for high-durability and long-lasting color, and contains no VOC or toxic heavy metals.

**Construction (continue)**

**IP Rating:**

Ingress Protection rating of IP65 for dust and water

**Ambient Temperature:**

Suitable for 50° C (122° F) ambient temperature

**Cold Weather Starting:**

The minimum starting temperature is -40 F°/-40° C

**Thermal Management:**

Superior thermal management with external Air-Flow fins.

**Housing:**

Aluminum housing with powder coating.

**Mounting Methods:**

Direct surface mount, 3/4 conduit mount, or retrofit current 2x2 housing.

**Lens:**

Polycarbonate

**Gaskets:**

Silicon Gaskets

**Finish:**

Our environmentally friendly polyester powder coating are formulated from high-durability and long-lasting color, and contains no VOC or toxic heavy metals.

**Light Beam Angle:**

110°

**Electrical**

**Driver:**

130w, 100-277V, 50-60 Hz, Power Factor > 0.95

**LED Characteristics**

**Lifespan:**

100,000- hour LED lifespan based on IES LM-80 results and TM-21 calculations.

**LEDs:**

High-output, long-life LEDs

**Color Temp:**

4000K (natural white), 4500K, 5000K (daylight), 5700K (Cool White)

**Color Stability:**

LED color temperature is warrantied to shift no more than 200K in CCT over a 5 year period

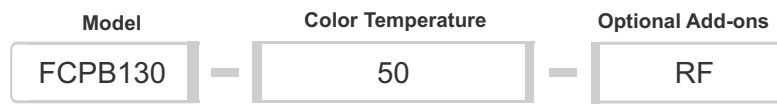
**Color Uniformity:**

PacLights range of CCT (Correlated Color Temperature) follows the guidelines of th American National Standard for Specifications for the Chromaticity of Solid State Lighting (SSL) Products, ANSI C78.377-2011

**Color Rendering Index:**

>70

**Ordering Matrix**



40 = 4000 K (neutral white)

45 = 4500 K

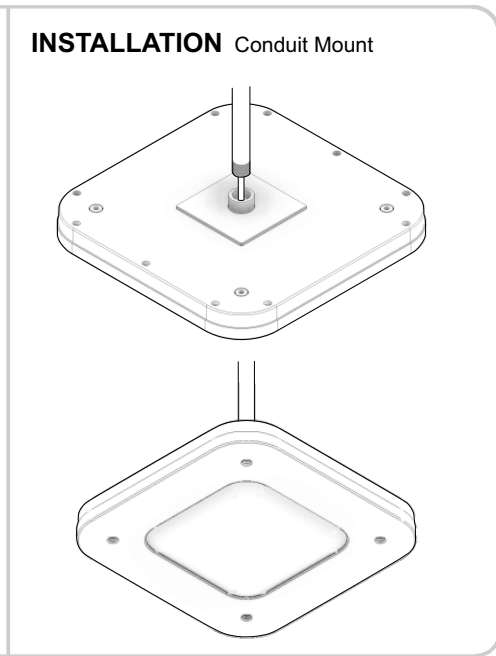
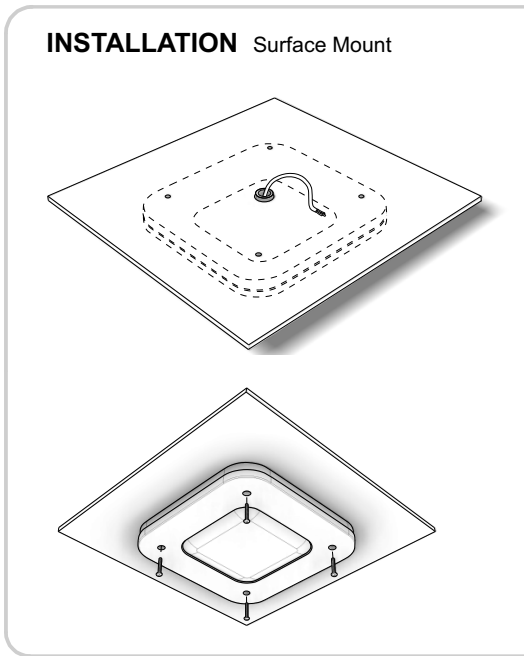
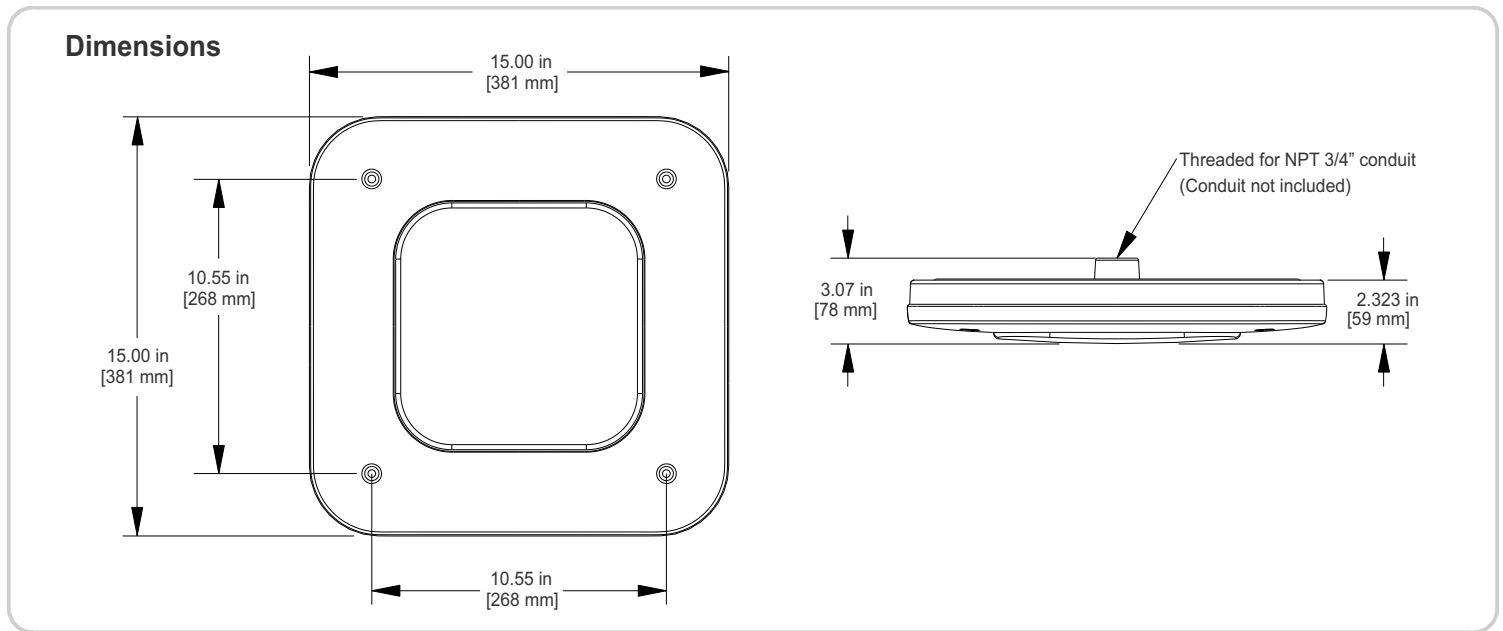
50 = 5000 K (daylight)

57 = 5700 K (cool white)

[blank] = none

RF = AC-CPA-RF

retrofit kit for 2x2 housing



**Illuminance at Distance**

Distance	Center Beam (fc)	Beam Width (ft)	Beam Length (ft)
9 ft	63.68	26.1	88.0
13 ft	30.52	38.1	127.1
17 ft	17.85	49.8	166.2
21 ft	11.72	61.4	205.3

