



**OVERVIEW**

The F2SB Series Area Lights are high performance LED fixtures ranging from 48-300 watt and are available for 100-277V or 300-480 V (on selected models). This product is offered in a dark bronze or white housing finish and light distributions varying from Type II, Type III (short/ medium), Type IV, and Type V (90°/ 120° degrees).

**APPLICATIONS**

F2SB can be applied to outdoor applications, typically installed onto poles and walls. This light can be installed in various types of areas making it the perfect solution for lumination.

- Limited Warranty: 5 Years
- E cacy: up to 110 LPW
- Lumen Output: 5,000-30,000 Lm
- Wattage: 48 - 300 W



**Project:**

**Type:**

**Prepared By:**

**Date:**

**Models**

Model	Watts(W)	Lumens (LM)
F2SB048	48	5006
F2SB080	80	8040
F2SB100	100	10482
F2SB150	150	15474
F2SB200	200	21850
F2SB300	300	30520

\*Lumen Output based on universal voltage models at 5000K  
Also available in Color Temperatures of 3000K, 3500K, 4000K, and 4500K.

**Technical Specifications**

**Warranty**

Paclights warrants these LED products will be free from defects in materials and workmanship for a period of five (5) years from the date of delivery to the end user, including coverage of light output, color stability, driver performance and fixture finish. Please refer to our full warranty.

**Qualifications**

**ETL Listing:**  
ETL Listed, conforms to UL STD 1598, Certified to CSA STD C22.2 No. 250.0  
Suitable for Wet Locations

**IESNA LM79 & LM-80 Testing:**  
Paclights LED luminaires have been tested by an independent laboratory in accordance with IESNA LM-79 and LM-80.

**DLC Qualification:**  
Selected models of this product are on the Design Lights Consortium (DLC) Qualified Products List and are eligible for rebates from DLC Member Utilities. To view our DLC qualified products, please consult the DLC Qualified Products List at [www.designlights.org/qpl](http://www.designlights.org/qpl)

**Construction**

**IP Rating:**  
Ingress Protection rating of IP65 for dust and water

**Ambient Temperature:**  
Suitable for up to 50° C(122° F) ambient temperature

**Cold Weather Starting:**  
The minimum starting temperature is -40 F°/-40° C

**Thermal Management:**  
Superior thermal management with external Air-Flow fins.

**Housing:** Die-cast aluminum housing

**Lens:** Polycarbonate

**Mounting Methods:**  
Heavy Duty mounting options, angle adjustable, with seal & stainless steel screws

**Green Technology:**  
Mercury and UV free, and RoHS compliant. Polyester powder coat finish formulated without the use of VOC or toxic heavy metals.

**Gaskets:**  
Silicon Gaskets

**Finish:**  
Our environmentally friendly polyester powder coating are formulated from high-durability and long-lasting color, and contains no VOC or toxic heavy metals.

**LED Characteristics**

**Lifespan:**  
100,000-hour LED lifespan based on IES LM-80 results and TM-21 calculations.

**LEDs:**  
Multi-chip, high-output, long-life LEDs

**Color Stability:**  
LED color temperature is warrantied to shift no more than 200K in CCT over a 5 year period.

**Color Temp:**  
3000K (Warm White),3500K, 4000K ( Natural white), 4500K, 5000K ( Daylight)

**Color Uniformity:**  
Paclights range of CCT follows the guidelines of the American National Standards for the Specifications for the Chromaticity of Solid State Lighting (SSL) Products, ANCI c78.377.2011

**Color Rendering Index:**  
>70

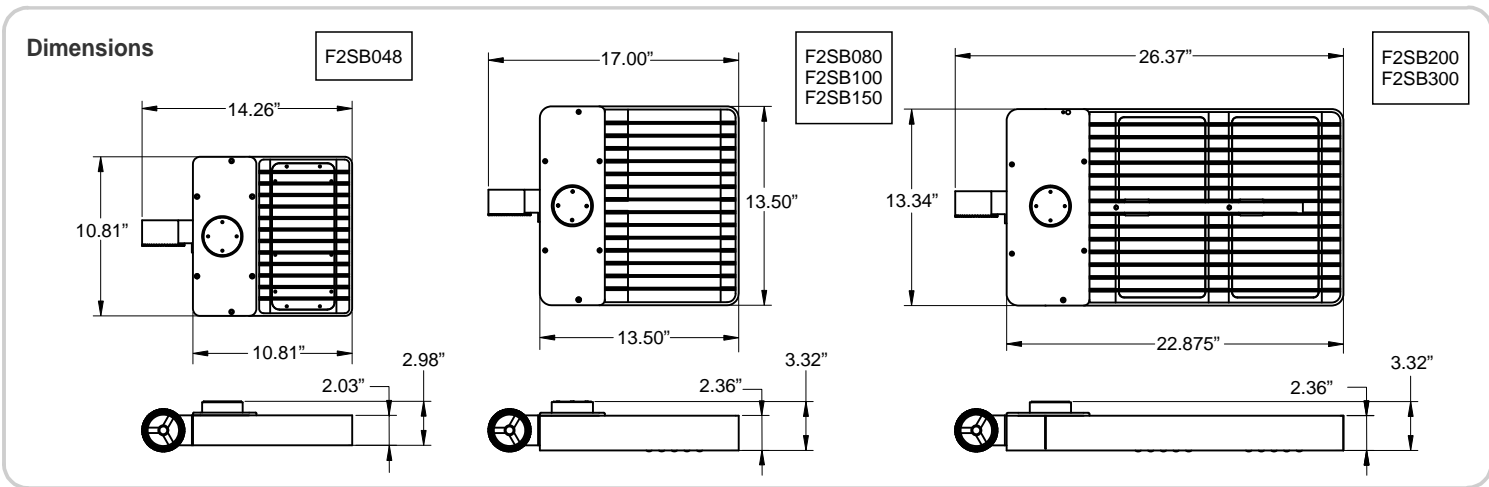
**Electrical**

**Drivers:**  
100-277V or 300-480V, 50-60 Hz, Power Factor>95%, 1-10 V Dimmable

**THD:** <15%

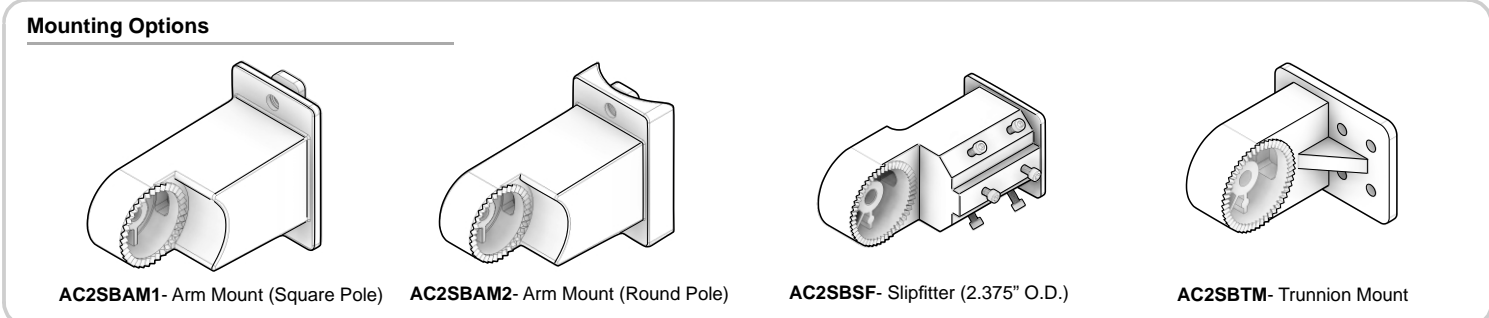
**Ordering Matrix**

Model	Wattage	Voltage	Color Temperature	Lighting Distribution	Housing Finish Color	Mount	Optional Add-ons
F2SB	150	LV	50	3M	B	SF	PS + SU
048 = 48 W	LV = 100-277V	30 = 3000K	2 = Type II ( 85° X 135°)	W = White	SF = Slipfitter	PS = AC2SBPS	
080 = 80 W	HV = 300-480V	35 = 3500K	3S = Type III Short ( 90° X 120°)	B = Dark Bronze	AM1 = Arm (Sq. Pole)	or AC2SBPS480	
100 = 100 W	(HV not available)	40 = 4000K	3M = Type III Medium (90° X 140°)(Included)		AM2 = Arm (Rd. Pole)	SU = AC2SBSU	
150 = 150 W	for 48w or 80w)	45 = 4500K	4 = Type IV (140° X 100°)		TM = Trunnion	or AC2SBSU480	
200 = 200 W		50 = 5000K	5A = Type V (90°)			(see Optional Add-ons	
300 = 300 W			5B = Type V (120°)			table for detail)	



### Lens Ordering Matrix

Lens	Size	Distribution
AC2LEN	R	2
	X = for F2SB048 (requires 1 pc per fixture)	2 = Type II (85° X 135°)
	R = for F2SB080/100/150 (requires 1 pc per fixture)	3S = Type III Short (90° X 120°)
	for F2SB200/300 (requires 2 pcs per fixture)	3M = Type III Medium (90° X 140°)
		4 = Type IV (140° X 100°)
		5A = Type V (90°)
		5B = Type V (120°)



### AC2SBPS/ AC2SBPS480- Photocell

AC2SBPS/AC2SBPS480 is a Standard Three-Prong Twist Lock Photocell which is installed on top of the F2SB Series fixtures. Once the photocell is installed, the area light will turn on at dusk, and turn off at dawn. This product provides convenience for outdoor installations and offers incredible energy savings. This solid state control is easy to install and is rain and dust proof. The AC2SBPS is used for 120-277vAC applications, while the AC2SBPS480 is used for 480vAC applications.

### AC2SBSU/ AC2SBSU480- Surge Protector

The AC2SBSU is the Surge Protector used for the F2SB luminaires that run on a universal voltage of VMAX AC: 277v, maximum Lighting Surge Current: 20,000A. (These fixture include a "LV" in the Part Number)

The AC2SBSU480 is the Surge Protector used for the F2SB luminaires that run on VMAX AC: 480v, maximum Lighting Surge Current: 20,000A (These fixture include a "HV" in the Part Number)

