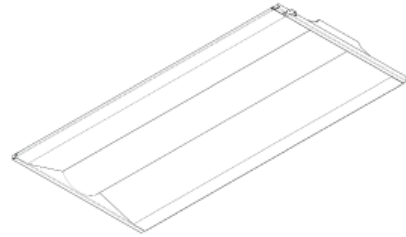




RKTF 22D30/40



RKTF 24D34/45

IMPORTANT

READ CAREFULLY BEFORE INSTALLING FIXTURE. RETAIN THESE INSTRUCTIONS FOR FUTURE REFERENCE.

PacLights fixtures must be wired in accordance with the National Electrical Code and all applicable local codes. Proper grounding is required for safety. THIS PRODUCT MUST BE INSTALLED IN ACCORDANCE WITH THE APPLICABLE INSTALLATION CODE BY A PERSON FAMILIAR WITH THE CONSTRUCTION AND OPERATION OF THE PRODUCT AND THE HAZARDS INVOLVED.

WARNINGS:

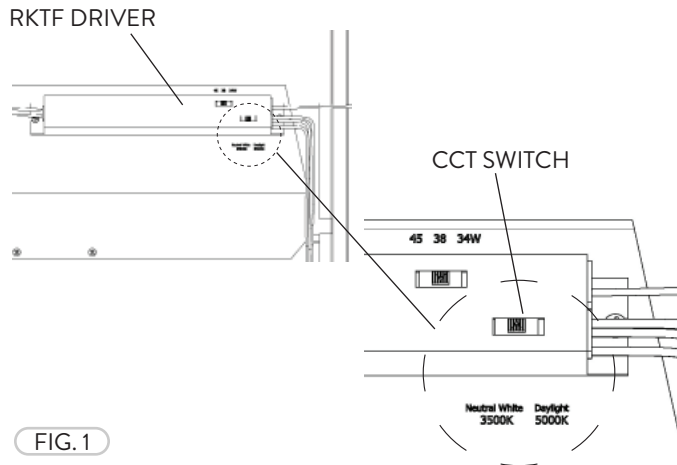
- Make certain power is OFF before installing or maintaining fixture. No user serviceable parts inside.
- To prevent wiring damage or abrasion, do not expose wiring to edges of sharp objects.

CAUTION:

- For proper weatherproof function all gaskets must be seated properly and all screws inserted and tightened firmly. Apply weatherproof silicone sealant around the edge of the Back Box and/or Junction Box. This is especially important with an uneven wall surface. Silicone all plugs and unused conduit entries.

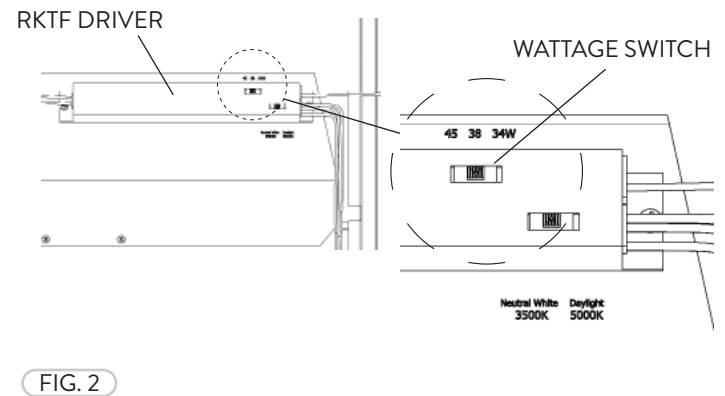
TUNABLE CCT (Correlated Color Temperature)

The Tunable CCT Switch is a device that allows the user to choose a desired color temperature 3500K, 4000K, 5000K (Fig. 1).



ADJUSTABLE WATTAGE

The Adjustable Wattage Switch allows the user to choose a desired Wattage. Each model has its own wattage settings as follows: 22D30 settings are 20, 25, 30W; 22D40 settings are 30, 35, 40W; 24D34 settings are 25, 30, 34W; and 24D45 settings are 34, 38, 45W (Fig 2.).



WIRING DIAGRAM

Connect the ACL and the ACN from the RKTF Fixture to the conduit with the AC power Supply Cable. Follow the Wiring Diagram provided.

AC POWER SUPPLY



RKTF MOUNTING ONTO A T-GRID

- 1 Prior to installation, shut off the power to the existing fixture. Remove components from the existing fixture that includes the host fixture lamp(s), ballast cover, ballast, brackets, lamp holders and wiring. Leave supply and grounding leads (Fig. 3).

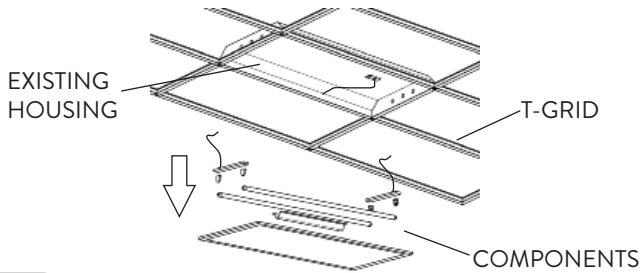


FIG. 3

- 2 Install the LED panel End Brackets to each end of the Existing Housing and between the T-Grids with Screws (Fig. 4).

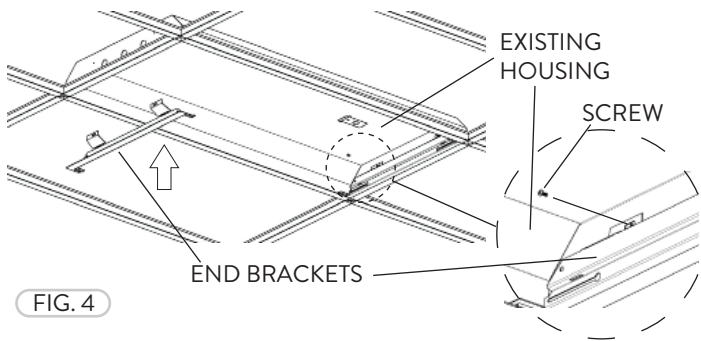


FIG. 4

- 3 If with the gap between the fixture and T-Grid is too large, then the Side Bracket can be installed by inserting each Tab End into each of the Slots of the End Brackets (Fig. 5).

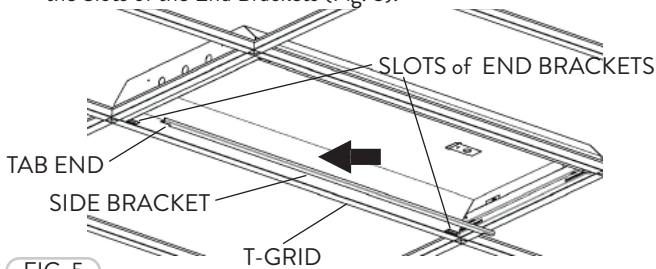


FIG. 5

- 4 Locate the RKTF Fixture Hinges into the keyholes of the End Brackets and slide into place along the slot (Fig 6).

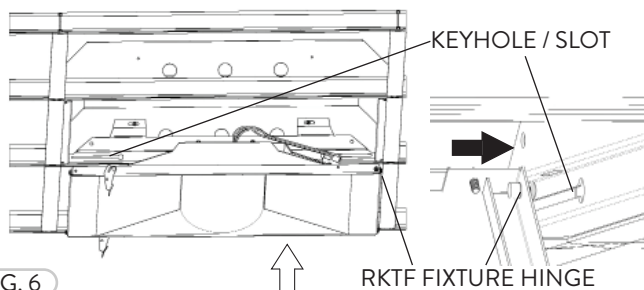


FIG. 6

- 5 Hook the Safety Cables into the holes of the Existing Housing. Attach the supply wires (Fig. 7). Please refer to the wiring diagram.

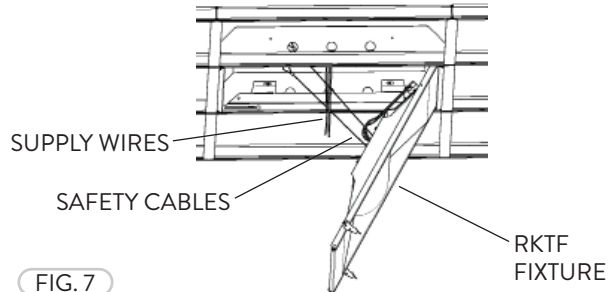


FIG. 7

- 6 Rotate the RKTF Fixture up towards the Brackets and T-Grid (Fig. 8).

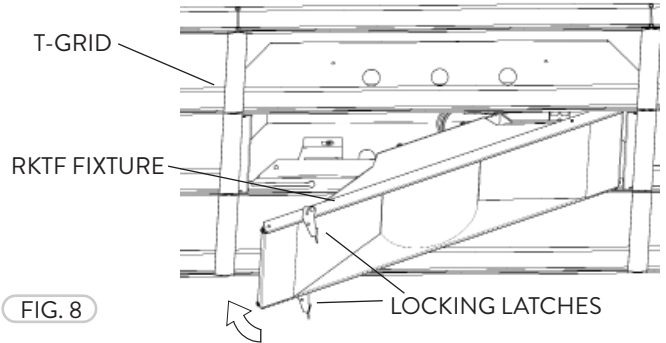


FIG. 8

- 7 Rotate the both Locking Latches upwards into the slots of the End Brackets (Fig. 9 & 10).

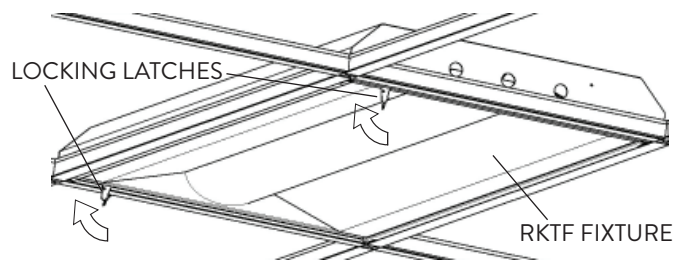


FIG. 9

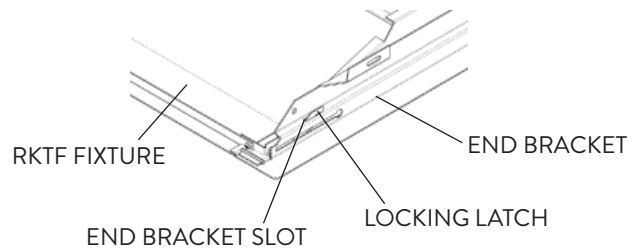


FIG. 10

EMB-4 EMERGENCY KIT WIRING DIAGRAM (OPTIONAL)

Connect the ACL and the ACN from the RKTf Fixture to the conduit with the AC power Supply Cable. Follow the Wiring Diagram provided.

