

RKSL 4D30/45



RKSL 8D54/90

IMPORTANT

READ CAREFULLY BEFORE INSTALLING FIXTURE. RETAIN THESE INSTRUCTIONS FOR FUTURE REFERENCE.

PacLights fixtures must be wired in accordance with the National Electrical Code and all applicable local codes. Proper grounding is required for safety. THIS PRODUCT MUST BE INSTALLED IN ACCORDANCE WITH THE APPLICABLE INSTALLATION CODE BY A PERSON FAMILIAR WITH THE CONSTRUCTION AND OPERATION OF THE PRODUCT AND THE HAZARDS INVOLVED.

WARNINGS:

- Make certain power is OFF before installing or maintaining fixture. No user serviceable parts inside.
- To prevent wiring damage or abrasion, do not expose wiring to edges of sharp objects.

CAUTION:

- For proper weatherproof function all gaskets must be seated properly and all screws inserted and tightened firmly. Apply weatherproof silicone sealant around the edge of the Back Box and/or Junction Box. This is especially important with an uneven wall surface. Silicone all plugs and unused conduit entries.

TUNABLE CCT (Correlated Color Temperature)

The CCT Switch is located on the the RKSL Driver that is on the back of the RKSL Fixture (Fig. 1). The Tunable CCT Switch allows the user to choose a desired color temperature 3500K, 4000K, 5000K (Fig. 2).

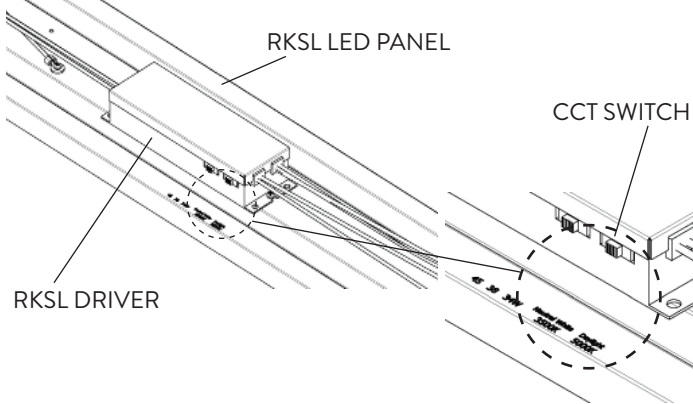


FIG. 1

FIG. 2

ADJUSTABLE WATTAGE

The Adjustable Wattage Switch is located on the the RKSL Driver that is on the back of the RKSL Fixture (Fig. 3). The Adjustable Wattage Switch allows the user to choose a desired wattage (Fig. 4). The RKSL Series has the following respective wattages: 4D30 30/25/18; 4D45 45/38/34; 8D54 54/46/38; 8D90 90/75/65.

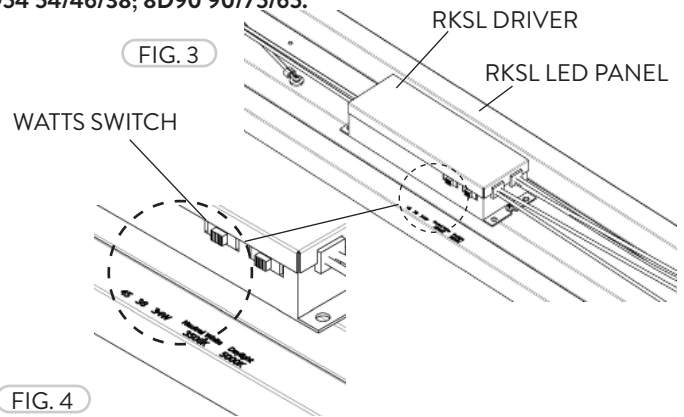


FIG. 4

WIRING DIAGRAM

Connect the ACL and the ACN from the RKSL Fixture to the conduit with the AC power Supply Cable. Follow the Wiring Diagram provided.

AC POWER SUPPLY



RKSL Series RETROFIT KIT INSTALLATION

- 1 Shut off the power to the existing fixture. Disconnect the white and black power supply wire to the existing ballast. Remove and discard the host fixture lamp(s). Remove ballast cover, ballast, fixture plates, socket-bars and wiring (Fig. 5).

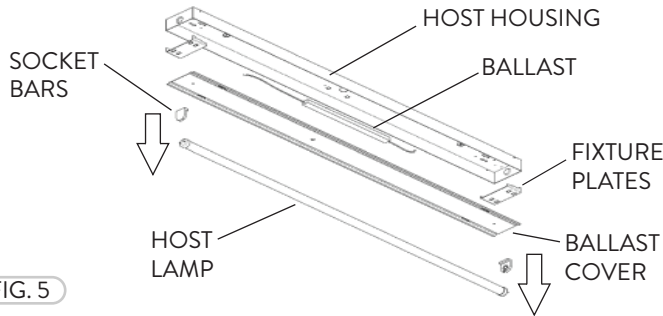


FIG. 5

- 2 The RKSL Retrofit Kit can be used to retrofit 4"-5.25" width fluorescent strip luminaire. The RKSL Retrofit Kit consists of the replacement strip light fixture, the brackets, and hardware (Fig. 6). Install Brackets (Bend to fit into place), install Safety Cables, and connect wires (refer to Wiring Diagram).

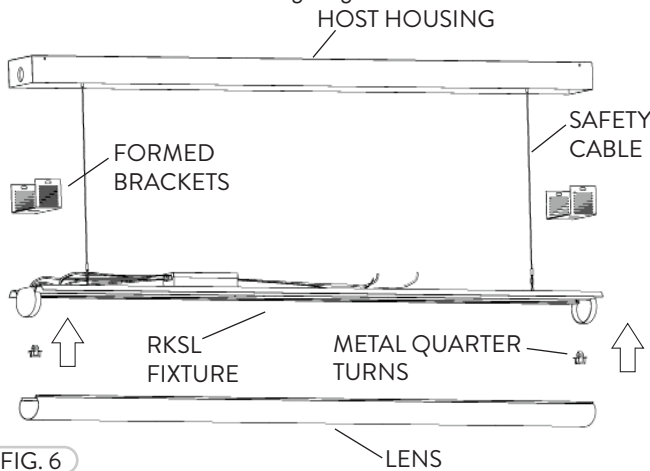


FIG. 6

- 3 Fasten the Brackets into place. Install the RKSL Retrofit Kit to the Brackets using Metal Quarter Turns to fasten into place (Fig.7). Install Lens gently into place (Fig. 8 & 9).

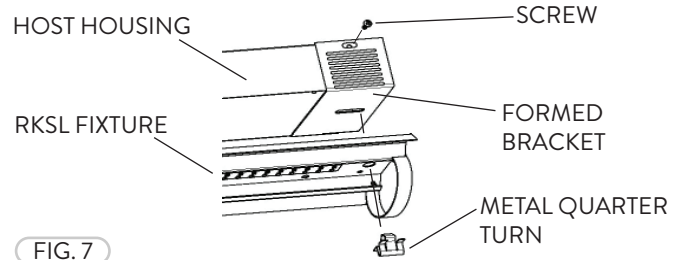


FIG. 7

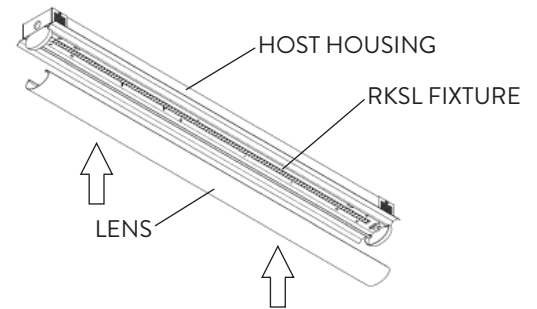


FIG. 8

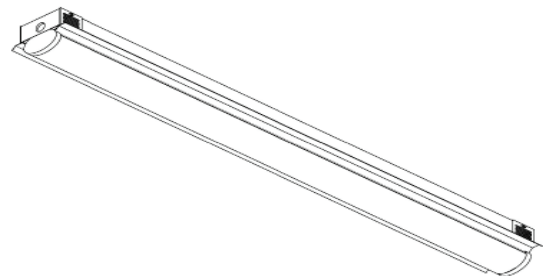


FIG. 9

RKSL 4D 8 FOOT CONVERSION KIT

The Conversion Kit converts 2 (two) RKSL 4ft linear strip lights into 1 (one) 8ft fixture to reduce the cost of an oversize 8ft fixture. The Kit includes a Center Bracket (Bend to fit into place) and Screws (Fig. 10). Follow Retrofit Kit Installation Step 1 above. Follow Step 2 above and including the Center Bracket to the center of the Host Housing (Fig. 11). Proceed with Step 3 (Fig. 7 & 8).

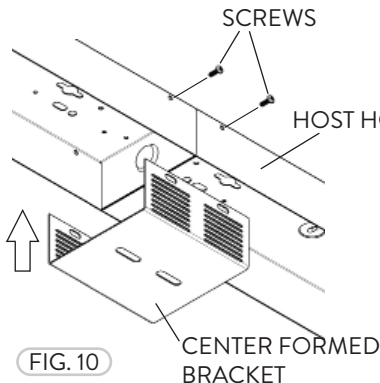


FIG. 10

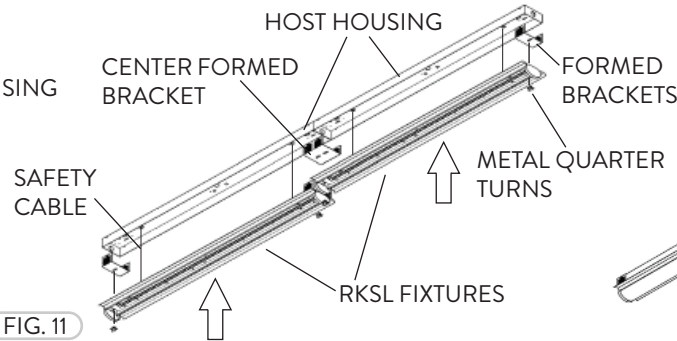
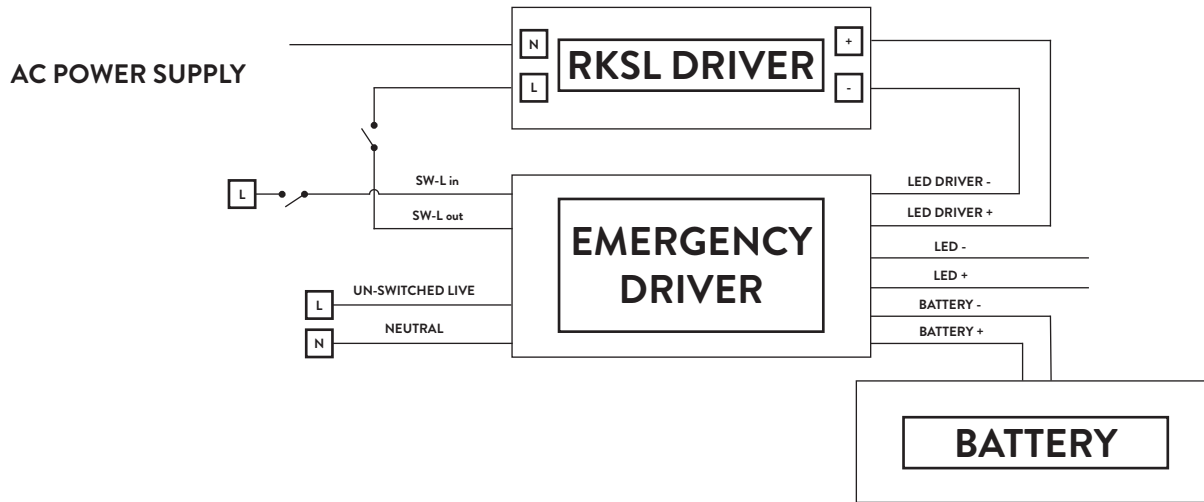


FIG. 11

EMB-4 EMERGENCY KIT WIRING DIAGRAM (OPTIONAL)

Connect the ACL and the ACN from the RKSL Fixture to the conduit with the AC power Supply Cable. Follow the Wiring Diagram provided.



EMB-8 EMERGENCY KIT WIRING DIAGRAM (OPTIONAL)

Connect the ACL and the ACN from the RKSL Fixture to the conduit with the AC power Supply Cable. Follow the Wiring Diagram provided.

