

IMPORTANT

SAFETY PRECAUTIONS

- Installation should only be performed by individuals with electrical expertise to prevent potential electrical shock or fire hazards.
- Avoid testing this LED light with any electric generator.
- Ensure installation adheres to local, regional, and national laws and regulations.
- Always disconnect power before installation or maintenance.
- Proper grounding is essential for safety.
- Avoid installation in hazardous environments. The ambient temperature should not exceed the maximum rated operating temperature specified for this product.
- Do not install the product during rain to prevent the risk of lightning strikes and other accidents.
- Wear gloves during the installation to prevent injuries.

INSTALLATION NOTE

- Confirm that the supply voltage corresponds with the voltage range specified on the product label.
- Use only wires that meet UL standards or applicable local requirements. For voltages AC120-277V, use wires of at least 16 AWG; for AC220-480V, use wires of at least 18 AWG.
- Ensure the use of a listed waterproof strain relief bushing when connecting the power supply cord to an outlet box.
- Do not drill into the fixture unless specifically instructed to do so in the installation guide. Apply silicone sealant to all wire connectors and any openings that are drilled into the fixture to ensure a waterproof seal.
- This product supports only passive dimmers with a 0-10V interface.
- In case of any visible smoke or sparking from the wire, immediately disconnect the power and alert the appropriate personnel.

PREPARATION

1. Unpack the fixture. Examine it for any signs of damage.
2. Detach the lens assembly from the fixture by pushing the 2 buttons on each side of the fixture. (Figure 1)

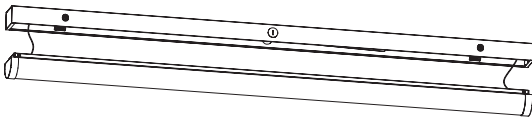


FIG. 1

SELECT WATTAGE and/or COLOR

All models are wattage and color (CCT) selectable, adjust with the dip switches on or near the LED driver.

WIRING

Verify voltage of AC supply before connect. Insert wires to the connectors on the LED driver, per the diagram shown on the driver. (Figure 2)

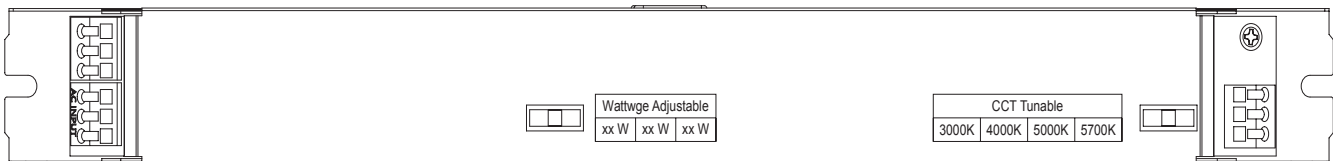
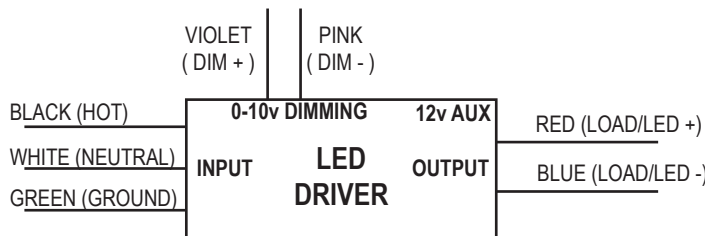


FIG. 2



MOUNTING OPTIONS

Surface Mount

- 1 OPTIONAL - Install the provided junction box cover to the fixture. (Figure 3)

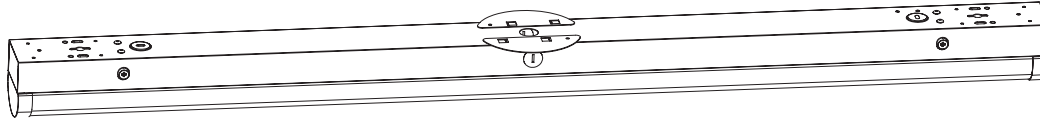


FIG.3

- 2 Use the provided mounting holes on each end of the fixture housing, mount per required application using appropriate hardware (not included). (Figure 4).

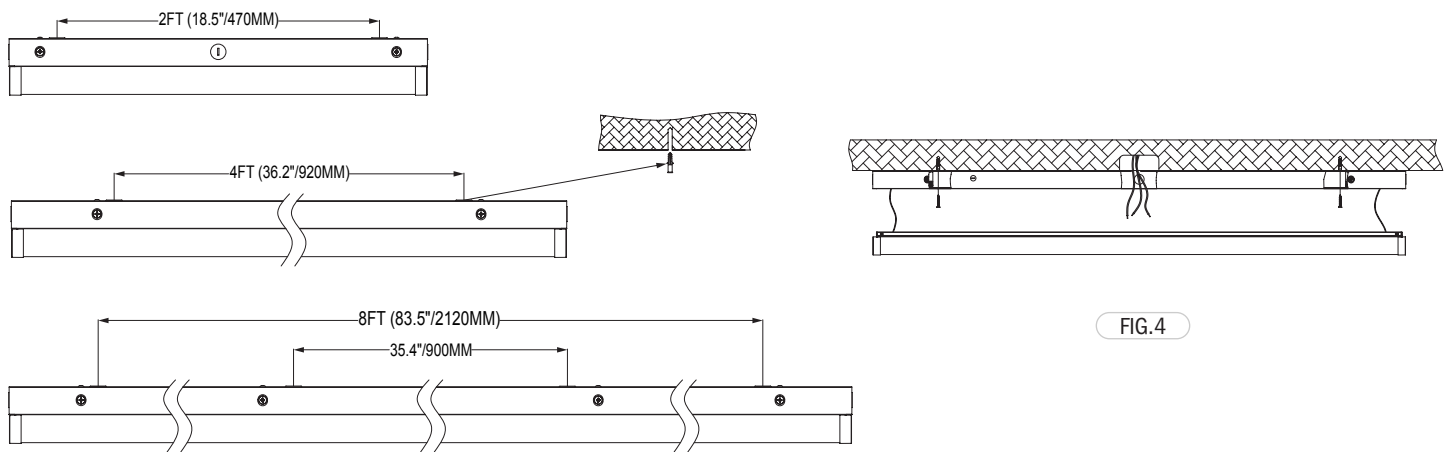


FIG.4

- 3 OPTIONAL - Each fixture has two ends, labeled A and B. To connect multiple fixtures end-to-end, remove the plastic SnapLink™ cap from the fixture ends. Insert the A end of one fixture into the B end of another, then secure the connection using the connecting plate (sold separately). (Figure 5)

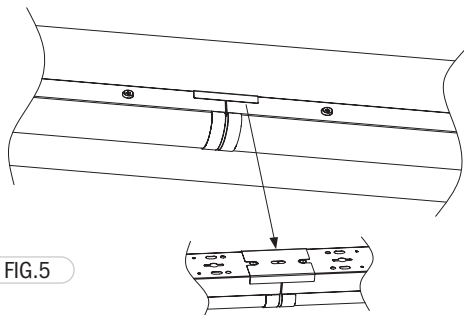


FIG.5

- 5 Push the lens assembly toward the other half of the fixture until it clicks into place.(Figure 6)

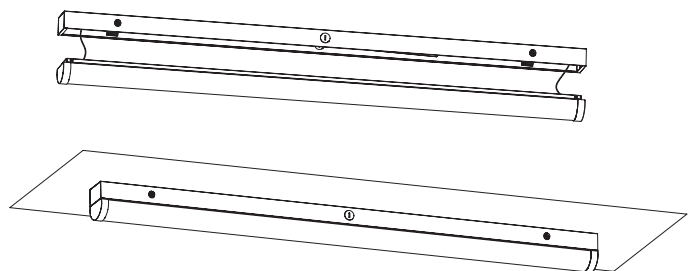


FIG.6

- 4 For electrical connections, use UL-approved wire connectors, as mandated by local codes, to connect the fixture to the main power source, following the diagram provided.

Aircraft Cable Mount (optional)

① Affix the aircraft cables to the building's structure such as beam or ceiling with appropriate hardware (not supplied). Ensure the chosen hardware is appropriate for your mounting surface. (Figure 7)

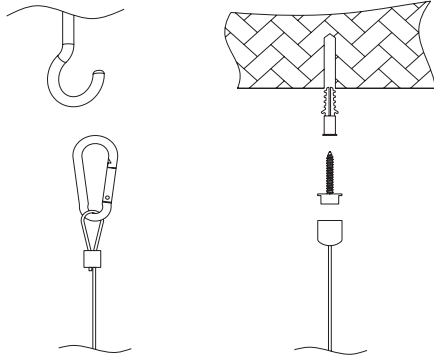


FIG. 7

② To hang the Housing, route and affix each evenly measured aircraft cable to the openings on the back of the fixture. (Figure 8)

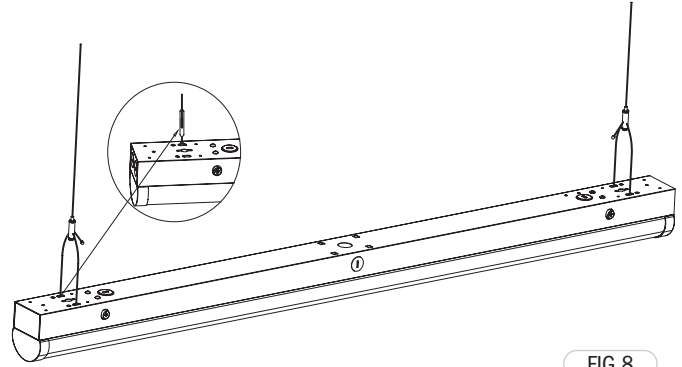


FIG. 8

③ OPTIONAL - Each fixture has two ends, labeled A and B. To connect multiple fixtures end-to-end, remove the plastic SnapLink™ cap from the fixture ends. Insert the A end of one fixture into the B end of another, then secure the connection using the connecting plate (sold separately). (Figure 9)

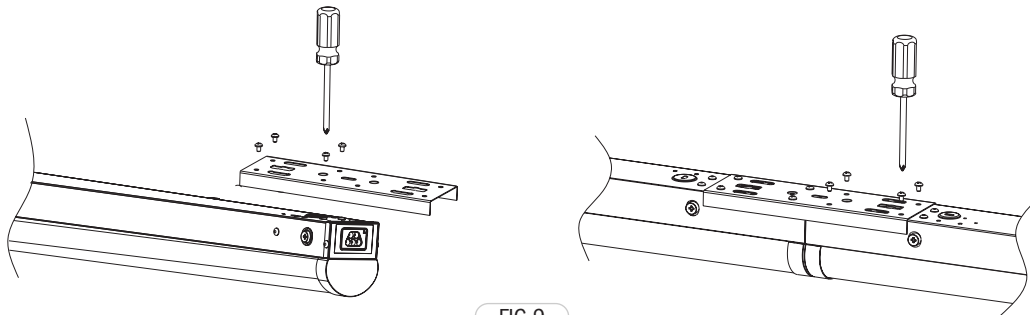


FIG. 9

④ When making electrical connections, employ UL-approved wire connectors and conduit, adhering to local codes, to connect the fixture to the main power source. (Figure 10)

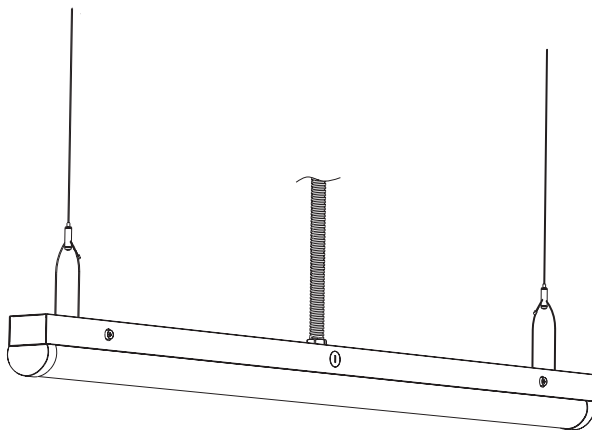


FIG. 10

⑤ Push the lens assembly toward the other half of the fixture until it clicks into place. (Figure 11)

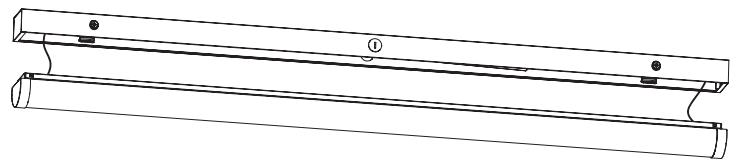


FIG. 11