

IMPORTANT

SAFETY PRECAUTIONS

- Avoid testing this LED light with any electric generator.
- Ensure installation adheres to local, regional, and national laws and regulations.
- Always disconnect power before installation or maintenance.
- Proper grounding is essential for safety.

DIMMING FUNCTION

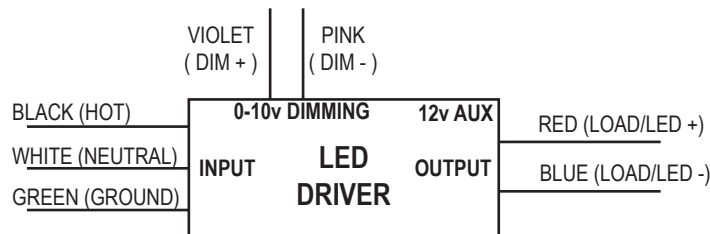
- This LED light is equipped with 0-10v dimming function.
- You may also opt not to utilize the dimming function.
- Do not use a non 0-10v or 1-10v dimmer.

INSTALLATION NOTE

- Installation should only be performed by individuals with electrical expertise to prevent potential electrical shock or fire hazards.
- Wear gloves during the installation to prevent injuries.
- In case of any visible smoke or sparking from the wire, immediately disconnect the power and alert the appropriate personnel.

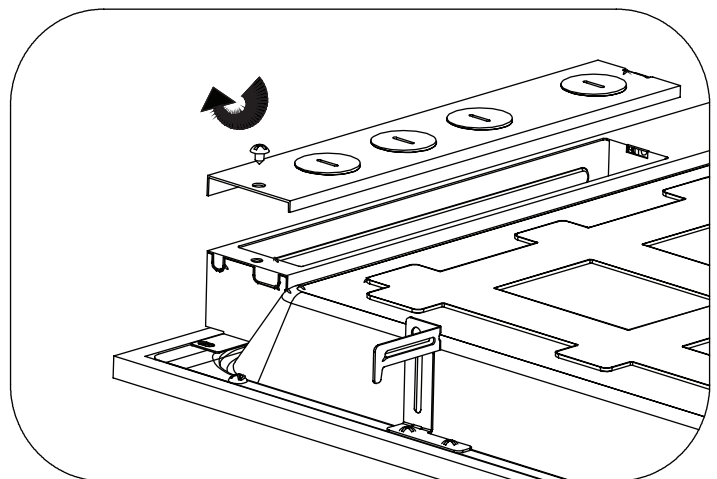
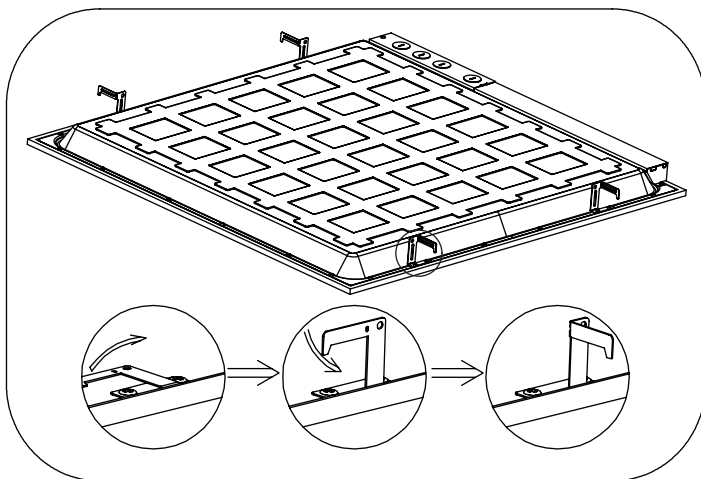
WIRING

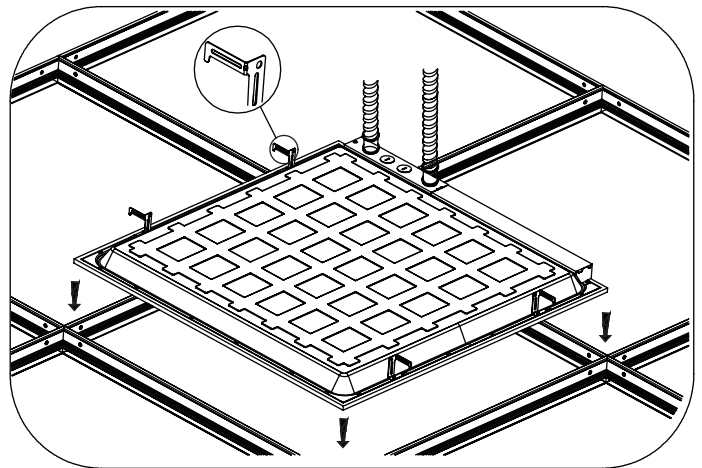
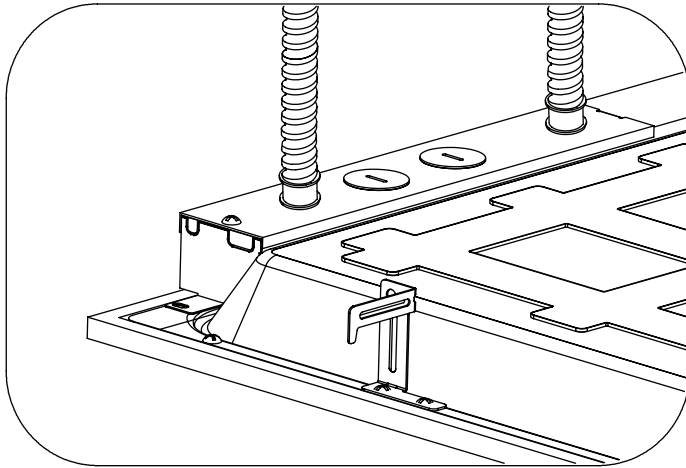
Verify input AC voltage before connect. 12v AUX supply is only for the optional sensor/control.



Recessed Mount

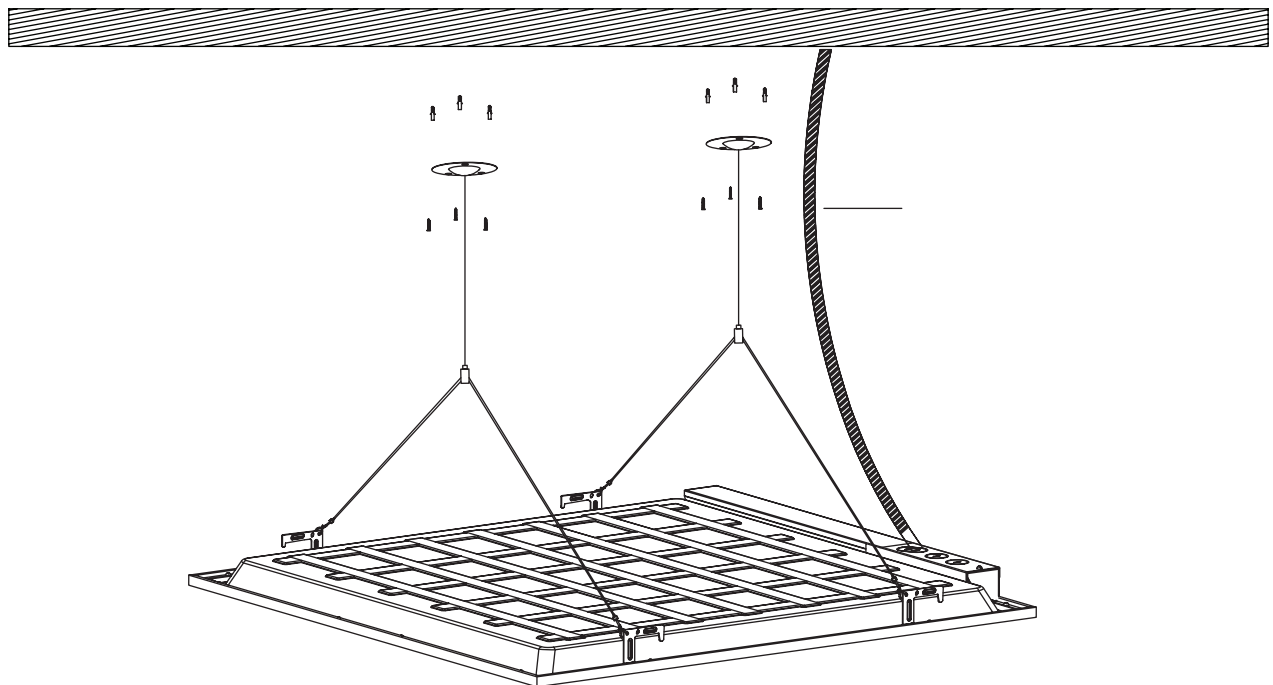
Secure the fixture to T-grid or the optional flange kit.





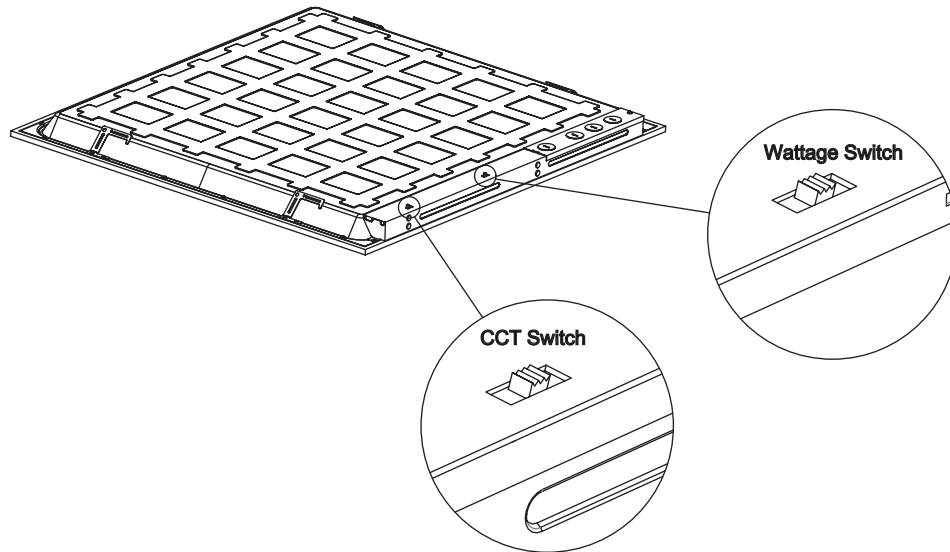
Cable Mount

Suspend mount the fixture to ceiling with the optional cable mount kit.



CCT and Wattage Dip Switch

CCT and Wattage selectable with a dip switch, on selected models.



Plug and Play Control

Remove the rubber cover, plug and twist to install the optional compatible sensor or control.

