

IMPORTANT

SAFETY PRECAUTIONS

- Avoid testing this LED light with any electric generator.
- Ensure installation adheres to local, regional, and national laws and regulations.
- Always disconnect power before installation or maintenance.
- Proper grounding is essential for safety.
- After installation, position the light to face directly downward.

DIMMING FUNCTION

- This LED light is equipped with a 0/1-10V dimming function.
- This LED highbay light offers the flexibility to be outfitted with an optional DC motion sensor.
- There are two dimming solutions available: Standard 0/1-10V dimming. Intelligent dimming when paired with the DC motion sensor.

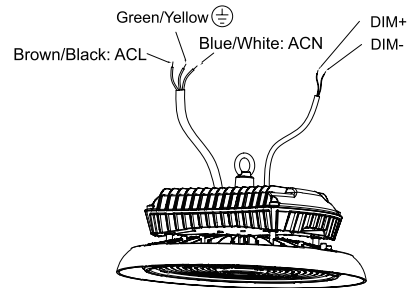
INSTALLATION NOTE

- Installation should only be performed by individuals with electrical expertise to prevent potential electrical shock or fire hazards.
- Wear gloves during the installation to prevent injuries.
- In case of any visible smoke or sparking from the wire, immediately disconnect the power and alert the appropriate personnel.
- When connecting the supply cord to the outlet box, use the specified waterproof strain relief bushing for optimal protection and safety.

WIRING

Verify input AC voltage before connect. Separate and cap the 0/1-10V dimming and 12v AUX wire (if available) if opt not to utilize the dimming function.

To connect an external dimmer, utilize the leads marked as dimming+ and dimming- (DC 10V). Ensure that the pink wire and the black wire encased in shrinkable tubing remain undamaged and are not connected.



MOUNTING OPTIONS

Select the installation method that best aligns with the specific product you've purchased and your requirements.

Hook Mount (standard)

- 1 Attach the hook to the fixture, ensuring it's securely tightened and fixed in place, as shown in (Figure 1).
- 2 Suspend the fixture from a ceiling hook or chain, depicted in (Figure 2).

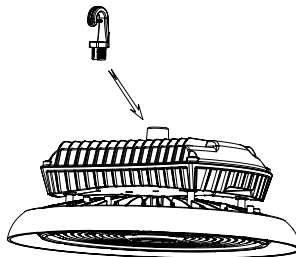


FIG.1

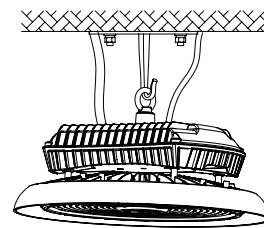


FIG.2

- 3 Once installed, connect the fixture's wire to the main power, adhering to local wiring regulations. Ensure a stable connection and properly safeguard the junction.

Surface Mount (optional)

- 1 Use a marking pen or a sharp instrument to indicate the desired location on the mounting surface, then drill as shown in (Figure 3).

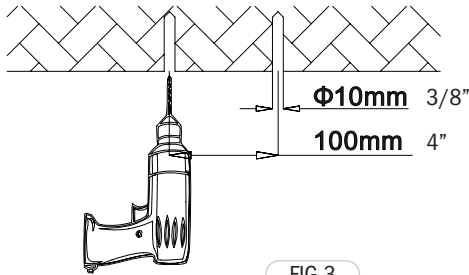


FIG.3

- 2 Insert the screw into the drilled hole using a hammer, as depicted in (Figure 4).

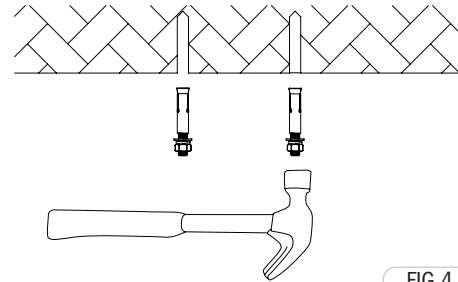


FIG.4

- 3 Align the bracket hole with the screw hole, as seen in (Figure 5). Then, slide the fixture to one side, as illustrated in (Figure 6), and secure it in place.

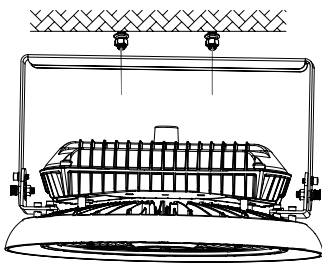


FIG.5

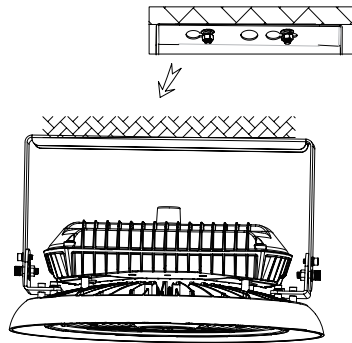


FIG.6

- 4 Once the fixture is mounted, connect its wire to the main power, following local wiring guidelines. Ensure a firm connection and properly safeguard the connection point. By adjusting the bracket screws, users can swivel the fixture up to 50° either to the left or right vertically, as demonstrated in (Figure 7).

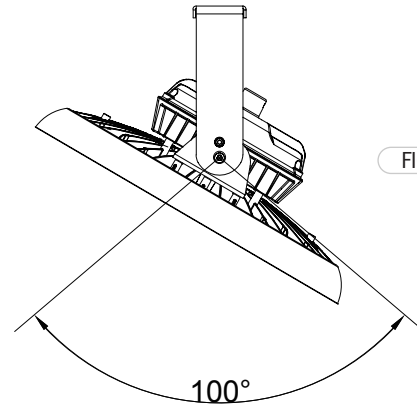


FIG.7

Conduit Mount (optional)

- 1 A optional 3/4" conduit mount adapter will be needed. Wires will NOT run in the stem. Remove the hook from the threaded opening on the top of the fixture.
- 2 Position the stem into the adapter. Secure the stem to the ceiling.
- 3 Securely to attach the adapter to this threaded opening.
- 4 After the fixture is in place, connect its wire to the main power, adhering to local wiring regulations. Ensure the connection is stable and take precautions to properly safeguard the connection point.

INSTALLING SENSOR or LIGHTING CONTROL

This fixture is equipped with a sensor receptacle, use a screwdriver to remove the 1/2" knockout by turning in the indicated direction (Figure 8). Once removed, attach the sensor kit. (Figure 9). The sensor is preset to default mode (for details, consult the sensor's specification sheet). Settings can be adjusted using a remote commissioning device (purchase separately)

