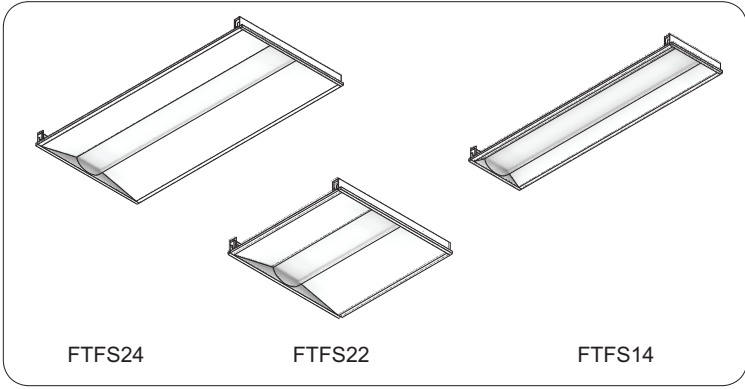


## Initial Set-up



**CAUTION:** PLEASE FOLLOW THIS INSTRUCTION MANUAL CAREFULLY TO PREVENT ANY INJURIES OR COMPLICATIONS THAT MAY ARISE.  
**WARNING:** Before installing or maintaining the luminaire, make sure all powers are **TURNED OFF**.  
 Verify that supply voltage is correct by comparing it with the label information on all fixtures.  
 Make all connections in accordance with the NEC requirements, and make sure all luminaries are properly secured to prevent any wire complications. This luminary is to always be installed with the lens facing down and its not to exceed the maximum ambient temperature rating noted on the specification sheet.

### Tunable CCT (Correlated Color Temperature)

The Tunable CCT Switch is a device that allows the user to choose a desired color temperature 3500K, 4000K, or 5000K. The default factory setting is 4000K.

CCT SWITCH      CCT SWITCH

### Adjustable Wattage

The Adjustable Wattage Switch allows the user to choose the desired Wattage. The 1x4 and 2x2 models can be set to 22,26,28,32W and 2x4 models can be set to 29,34,39,49W.

WATTAGE SWITCH      WATTAGE SWITCH

**1** The FTFS Fixture has Mounting Tabs at all four corners. Carefully bend out (4) Mounting Tabs to 90° on all four corners to fit onto the T-Grid.

MOUNTING TAB      T-GRID

**2** If needed, use side cutters to carefully adjust each Mounting Tab to the proper height of the T-Grid.

MOUNTING TAB      CUTTERS

**3** Now with the four tabs set into position the FTFS is ready to lay onto the T-grid.

FTFS FIXTURE

**4** In order to clear corners for ceiling tile, bend tabs flush against T-Grid. Use a sheet metal Screw to fasten fixture to the T-Grid.

MOUNTING TAB      SCREW

**5** Use a Safety Cable (hanger wire) to tie off appropriately (Screws and Hanger Wires supplied by others).

SAFETY CABLE      TIE OFF

**6** Run a Power Supply Cable through a conduit and install all wiring connections inside the back box of the FTFS Fixture. Attach the wiring access cover plate. Please see wiring instructions below.

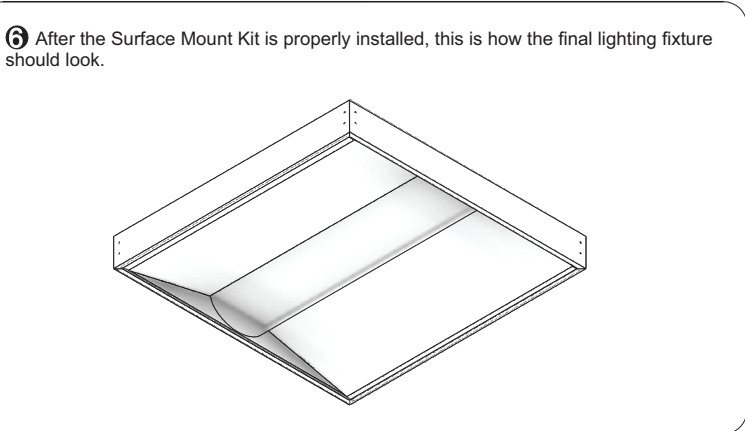
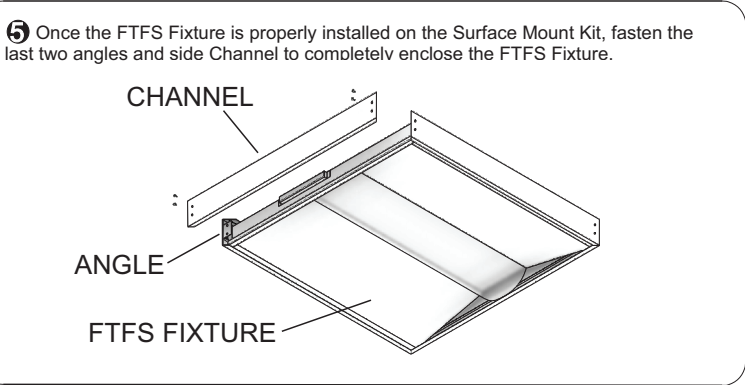
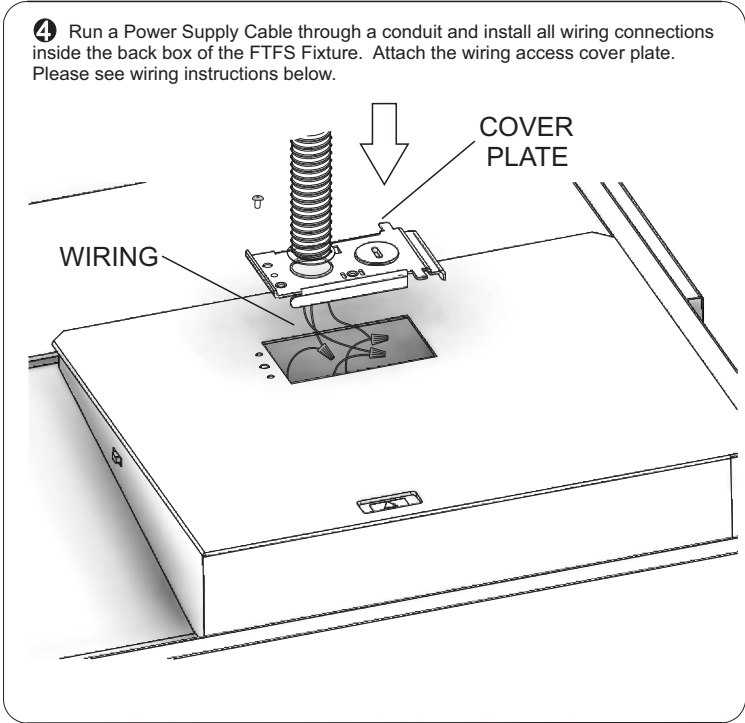
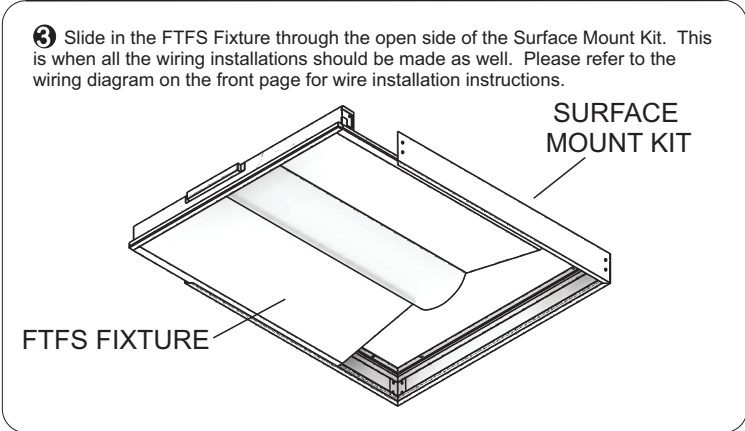
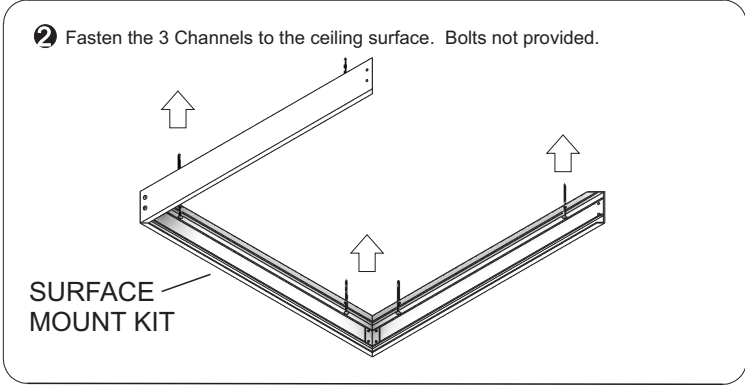
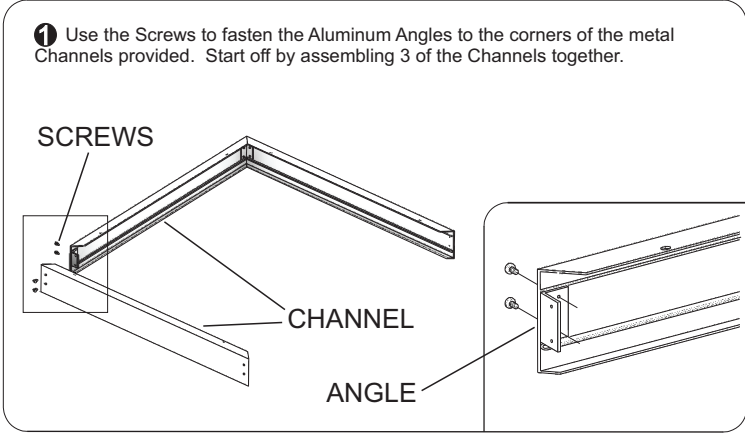
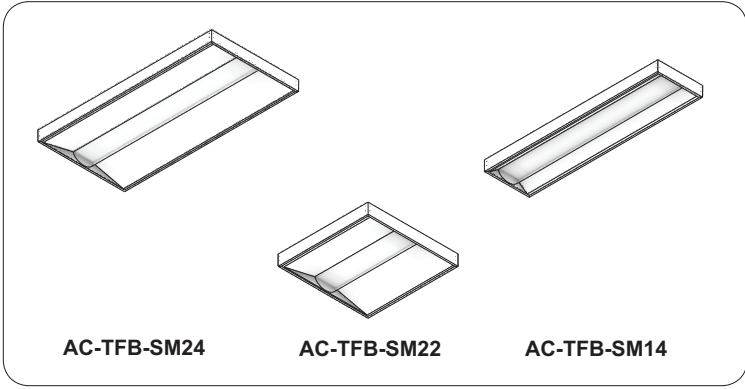
WIRING      COVER PLATE

Connect the ACL and the ACN from the FTFS Fixture to the conduit with the AC Power Supply Cable. Follow the Wiring Diagram provided.

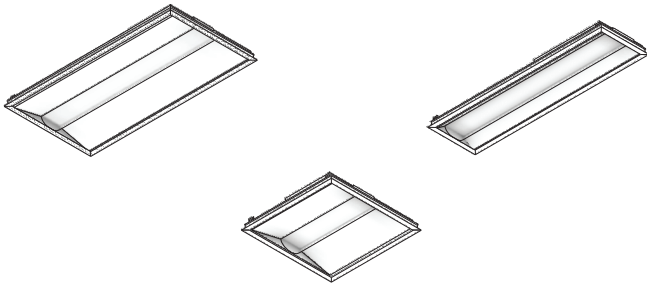
### AC Power Supply



## Surface Mount Kit for FTFS Series



## Drywall Grid Adapter Kit for FTFS Series

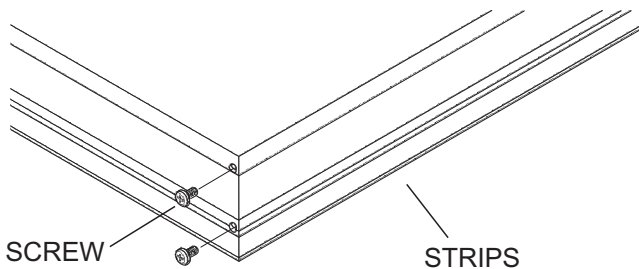


AC-PAN-DG24

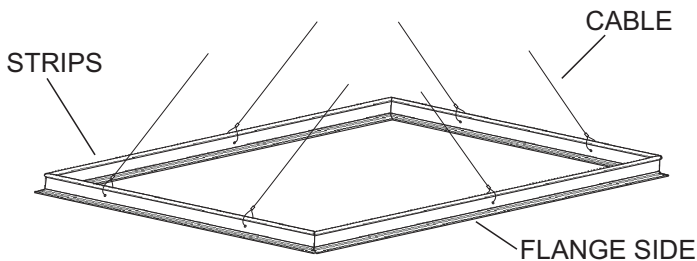
AC-PAN-DG22

AC-PAN-DG14

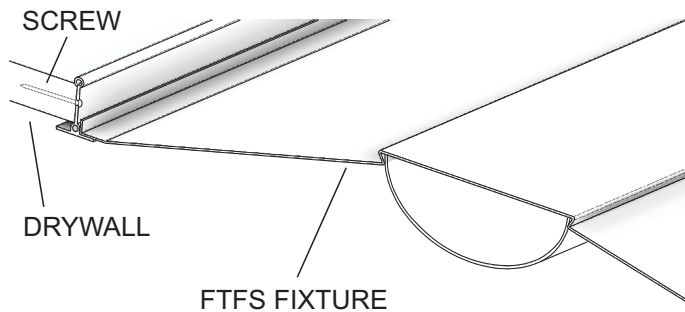
**1** Use the screws to fasten the aluminum angles to the sides of the metal Strips. Start off by assembling 3 of the strips together.



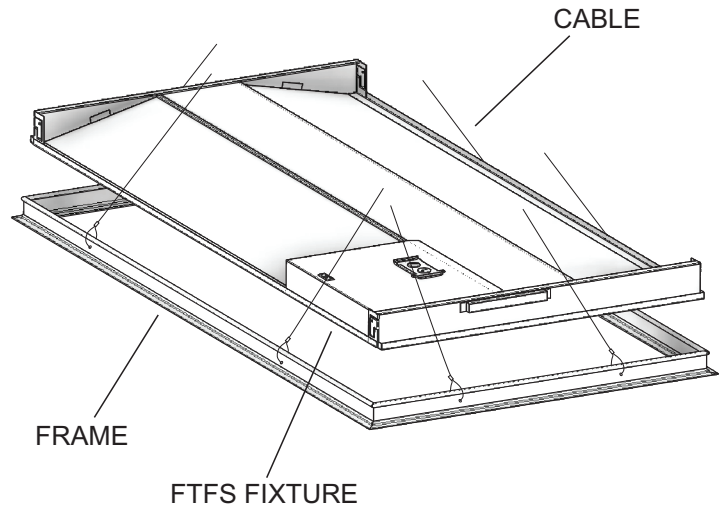
**2** Notch out the ceiling drywall surface. Insert the preassembled Drywall Kit flush to the ceiling leaving the flanged side underneath the ceiling. If the drywall ceiling is thin install the Aircraft Cables to support the frame and the FTFS Fixture. Cables are not included with this Drywall Kit.



**3** If the drywall ceiling is at least 1" thick, then the Drywall Kit can be fastened from the holes provided. All mounting screws are not included.



**4** Carefully mount the FTFS to the recessed Frame and adjust any Aircraft Cables if necessary.



**5** After the frame is properly installed into the ceiling, one can then mount the FTFS Fixture. It is recommended to also attach a safety aircraft cable to provide an extra degree of safety. Please refer to wiring diagram for wire installation.

