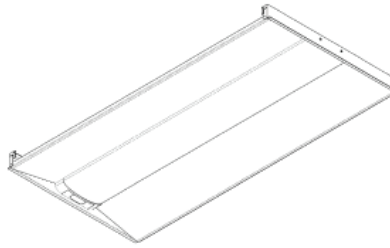




FTFN - 22D35



FTFN - 24D45



FTFN - 14D30

IMPORTANT

READ CAREFULLY BEFORE INSTALLING FIXTURE. RETAIN THESE INSTRUCTIONS FOR FUTURE REFERENCE.

PacLights fixtures must be wired in accordance with the National Electrical Code and all applicable local codes. Proper grounding is required for safety. THIS PRODUCT MUST BE INSTALLED IN ACCORDANCE WITH THE APPLICABLE INSTALLATION CODE BY A PERSON FAMILIAR WITH THE CONSTRUCTION AND OPERATION OF THE PRODUCT AND THE HAZARDS INVOLVED.

WARNINGS:

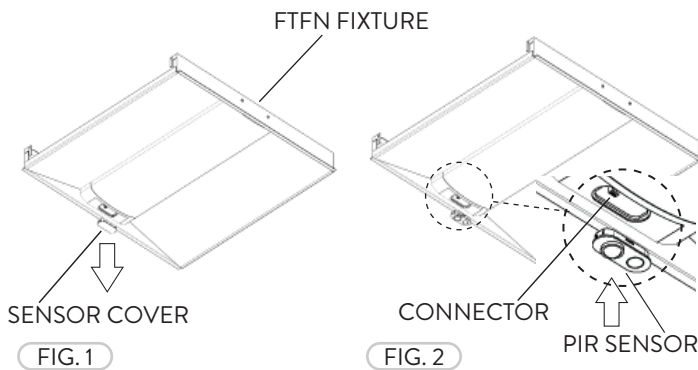
- Make certain power is OFF before installing or maintaining fixture. No user serviceable parts inside.
- To prevent wiring damage or abrasion, do not expose wiring to edges of sharp objects.

CAUTION:

- For proper weatherproof function all gaskets must be seated properly and all screws inserted and tightened firmly. Apply weatherproof silicone sealant around the edge of the Back Box and/or Junction Box. This is especially important with an uneven wall surface. Silicone all plugs and unused conduit entries.

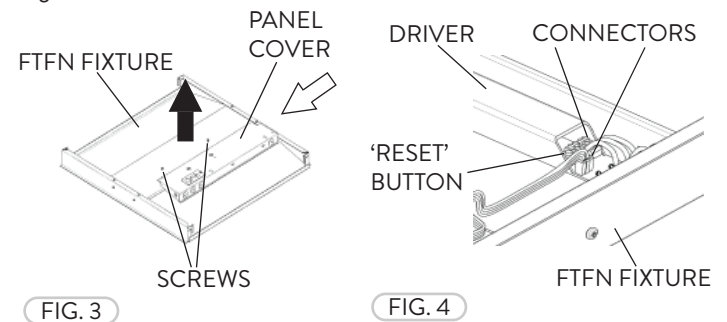
NETWORK LIGHTING CONTROLS (NLC)

All models of FTFN are Bluetooth Network Control enabled. Remove the Sensor Cover (Fig. 1). Install the PIR Sensor to the FTFN fixture by attaching the Connector to the PIR Sensor and press into place on the FTFN fixture (Fig. 2).



BLUETOOTH MESH NETWORKED CONTROL & ENABLED DRIVER

A FTFN fixture can be de-commissioned from any Network Zone manually by 'long pressing' for 5 seconds the 'Reset' Button that is located on the Bluetooth Driver inside the FTFN fixture Panel. Remove the screws (2) and slide then lift the fixture Panel Cover (Fig. 3). The 'Reset' Button is located at the end of the Bluetooth Driver between the Wire Connectors (Fig. 4).



WIRING DIAGRAM

Connect the ACL and the ACN from the FTFN Fixture to the conduit with the AC power Supply Cable. Follow the Wiring Diagram provided.

AC POWER SUPPLY



FTFN MOUNTING ONTO A T-GRID

- 1 The FTFN fixture has Mounting Tabs at all four corners. Carefully bend out (4) Mounting Tabs to 90° on all four corners to fit onto the T-Grid (Fig. 5).

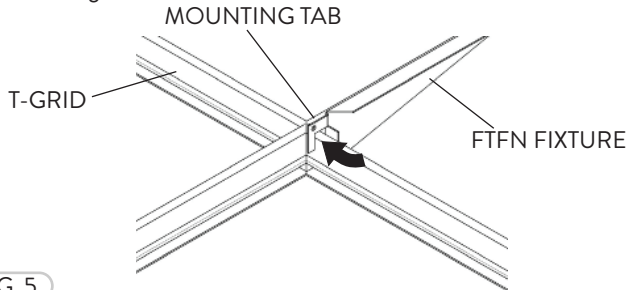


FIG. 5

- 2 If needed, use metal Shears/Cutters to carefully adjust each Mounting Tab to the proper height of the T-Grid (Fig. 6).

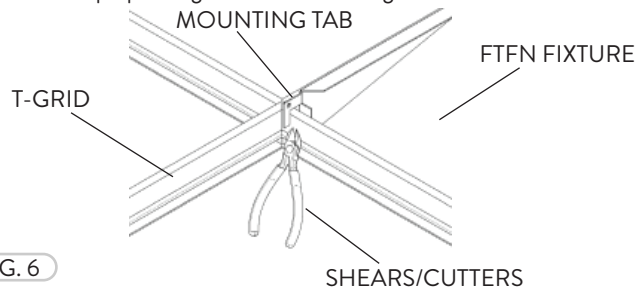


FIG. 6

- 3 Now with the four tabs set into position the FTFN fixture is ready to lay onto the T-Grid (Fig. 7).

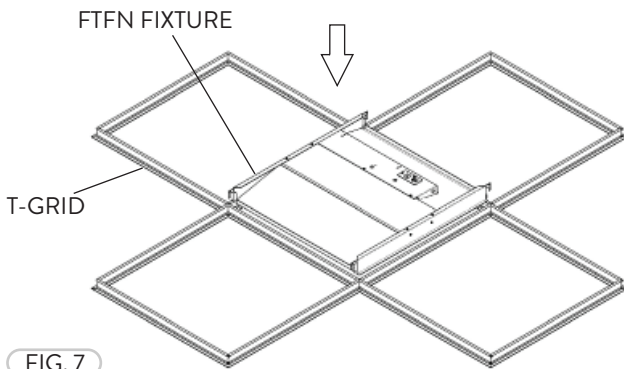


FIG. 7

- 4 To clear corners for ceiling tile, bend tabs flush against the T-Grid. Use a sheet metal Screw to fasten fixture to the T-Grid (Fig. 8).

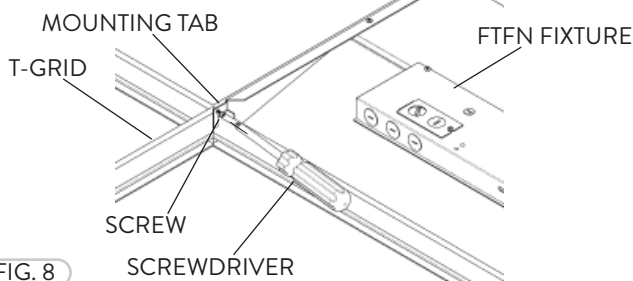


FIG. 8

- 5 Use a Safety Cable (hanger wire) to 'tie-off' at the Tabs (Screws and Hanger Wires supplied by others) (Fig. 9).

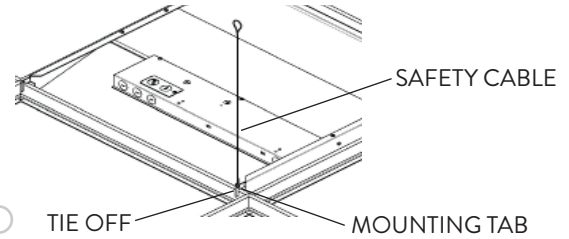


FIG. 9

- 6 Run a Power Supply Cable through a Conduit and install all wiring connections inside the Panel Cover of the FTFN fixture. Attach the wiring access Cover Plate. Please see wiring instructions (Fig. 10). Refer to the wiring diagram.

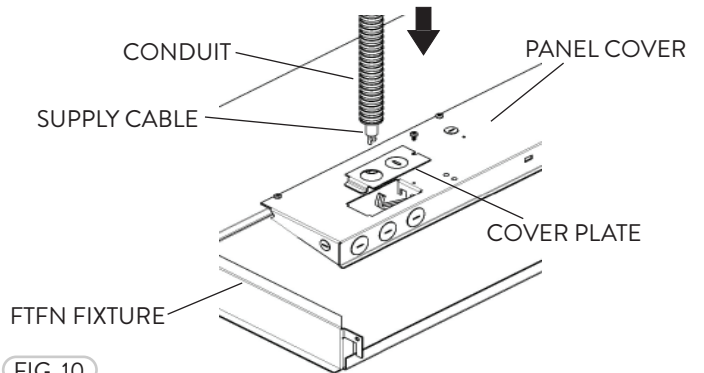


FIG. 10

OPTIONAL FTFN SUSPENDED MOUNT

- 1 The FTFN fixture has Mounting Tabs at all four corners each with holes that can be used for Suspended Mounting. Place the Aircraft Cable at all (4) Mounting Tabs and secure in place as needed (Fig. 11).

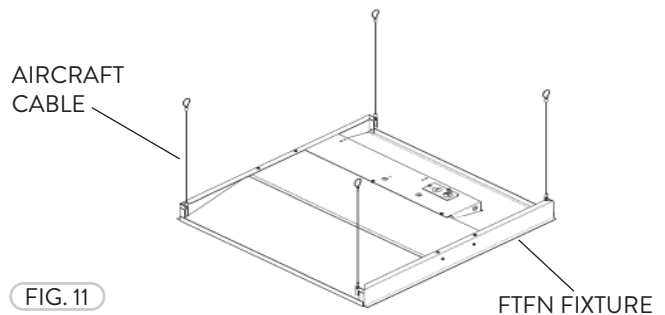


FIG. 11

OPTIONAL FTFN SURFACE MOUNT

- 1 Use Screws to fasten the Angles to the corners of the Channel frame. Start off by assembling three of the Channels together (Fig. 12).

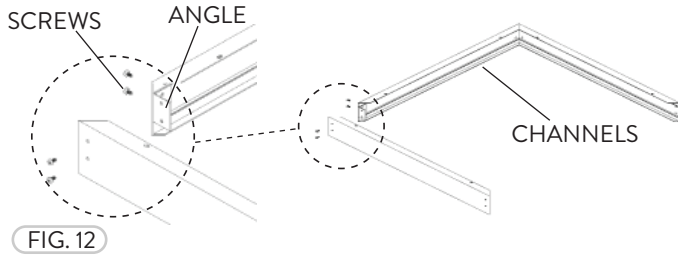


FIG. 12

- 2 Fasten the three Channels to the Ceiling surface. Bolts/Screws not provided (Fig. 13).

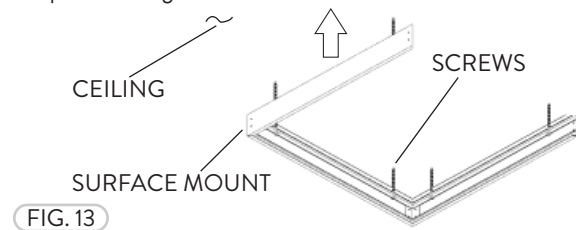


FIG. 13

- 3 Slide in the FTFN fixture through the open side of the Surface Mount. This is when all the wiring installations should be made as well. Refer to the wiring diagram (Fig. 14).

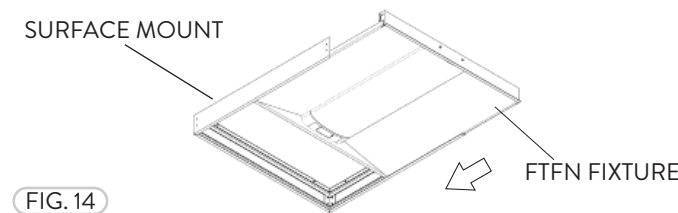


FIG. 14

- 4 Once the FTFN fixture is properly installed on the Surface Mount, fasten the last two Angles and side Channel to completely enclose the FTFN fixture (Fig. 15).

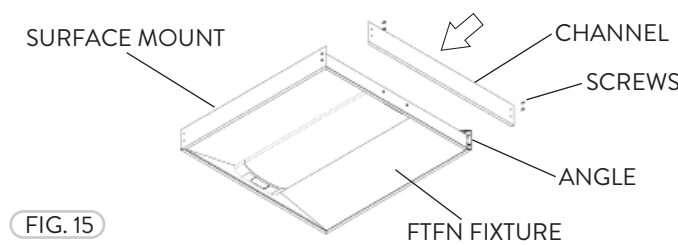


FIG. 15

- 5 After the Surface Mount Kit is properly installed, this is how the FTFN fixture should look (Fig. 16).

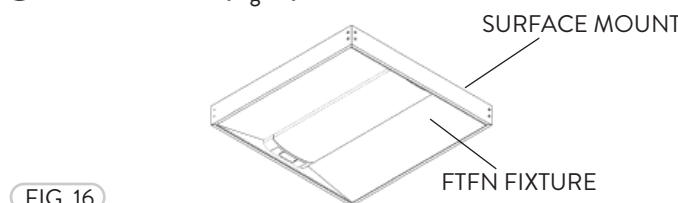


FIG. 16

OPTIONAL FTFN DRYWALL RECESSED FLANGE

- 1 Start off by assembling the Recessed Flanges together by fastening the Screws to the corners of the Recessed Flanges (Fig. 17).

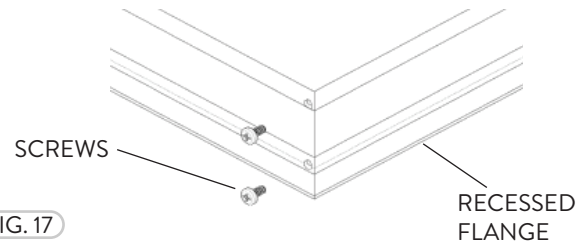


FIG. 17

- 2 Notch out the ceiling drywall surface. Insert the preassembled Drywall Flange frame flush to the ceiling leaving the flanged side underneath the ceiling. If the drywall ceiling is thin install the Cables to support the frame and the FTFN fixture. Cables are not included with the Drywall Flange frame (Fig. 18).

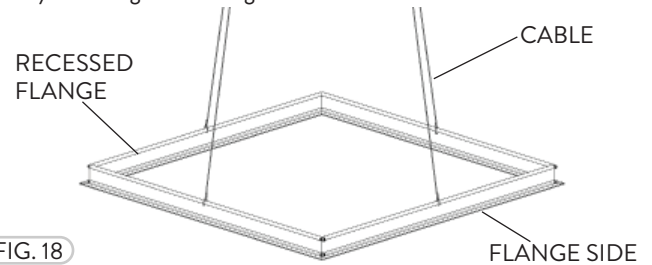


FIG. 18

- 3 If the drywall Ceiling is at least 1" thick, then the Drywall Flange frame can be fastened from the sides. See 'cut-out' below. Mounting Screws are not included (Fig. 19).

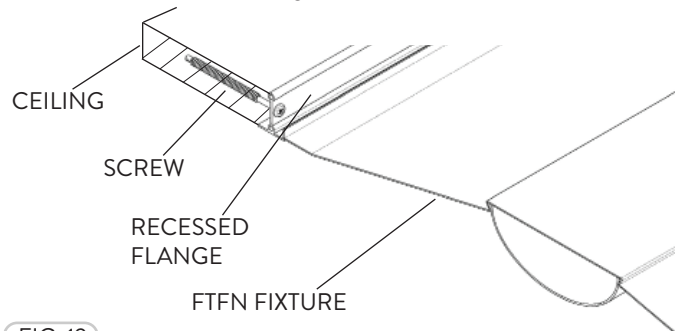


FIG. 19

- 4 Carefully mount the FTFN into the Recessed Frame and adjust any Cables if necessary (Fig. 20).

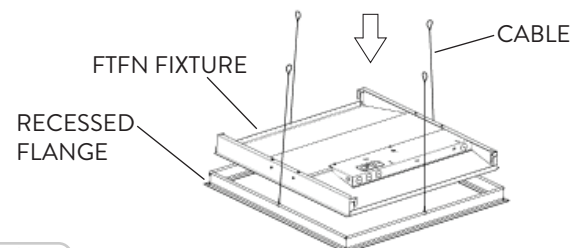


FIG. 20