

AC-TFB-SM14 Surface Mount Kit for FTFB14D35

AC-TFB-SM22 Surface Mount Kit for FTFB22D30, FTFB22D40

AC-TFB-SM24 Surface Mount Kit for FTFB24D30, FTFB23D46



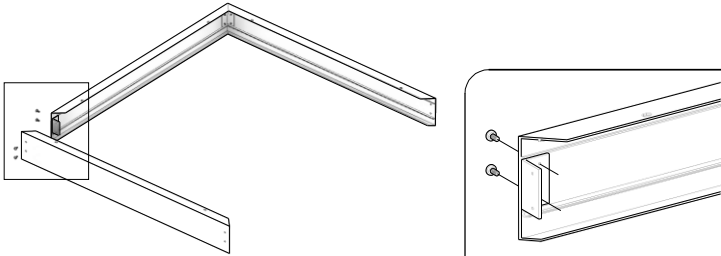
CAUTION: PLEASE FOLLOW THIS INSTRUCTION MANUAL CAREFULLY TO PREVENT ANY INJURIES OR COMPLICATIONS THAT MAY ARISE.

WARNING: Before installing or maintaining the luminaire, make sure all powers are **TURNT OFF**.

Verify that supply voltage is correct by comparing it with the label information on all fixtures.

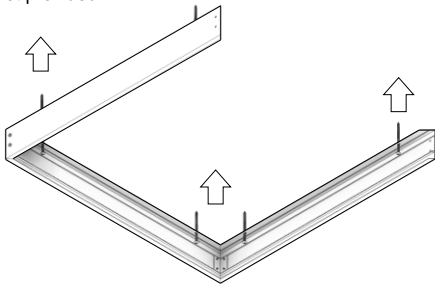
Make all connections in accordance with the NEC requirements, and make sure all luminaries are properly secured to prevent any wire complications. This luminaire is to always be installed with the lens facing down and its not to exceed the maximum ambient temperature rating noted on the specification sheet.

STEP 1: Use provided screws (Item 3) to fasten the aluminum angles to the sides of the metal channels provided. Start off by installing [3] of the strips together.

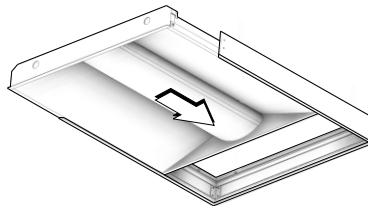


PART NO.	IMAGE	DESCRIPTION	QTY
1		Metal Channels cut in a 45 degree angle. Sizes vary depending on the kit purchased.	4
2		Aluminum angle used to fasten the Metal channels together	4
3		Machine screws to install the angles to the metal channel.	16

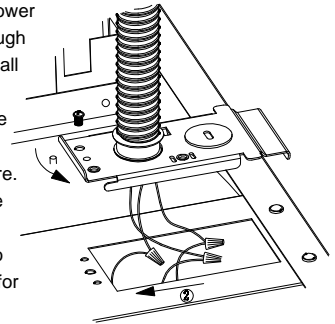
STEP 2: Fasten the 3 strips to the ceiling surface. Bolts not provided.



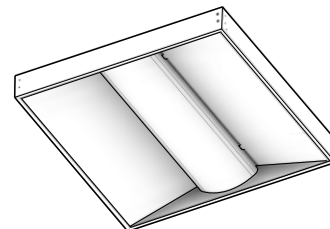
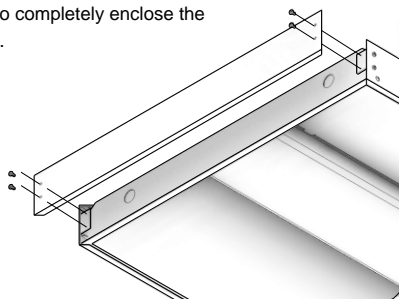
STEP 3: Slide in the FTFB luminaire through the open side of the Surface Mount Kit. This is when all the wiring installations should be made as well. Please see the wiring diagram on the front page for wire installation instructions.



STEP 4: Run a power supply cable through a conduit and install all wiring connections inside the back box of the FTFB luminaire. This might require the customer to remove the cap to access the wires for the FTFB.



STEP 5: Once everything is properly installed on the FTFB Fasten the last two angles and metal side channel to completely enclose the luminaire.



STEP 6: Once the Surface Mount Kit is installed properly, this is how the final lighting fixture should look.