



### IMPORTANT

**READ CAREFULLY BEFORE INSTALLING FIXTURE. RETAIN THESE INSTRUCTIONS FOR FUTURE REFERENCE.**

PacLights fixtures must be wired in accordance with the National Electrical Code and all applicable local codes. Proper grounding is required for safety. THIS PRODUCT MUST BE INSTALLED IN ACCORDANCE WITH THE APPLICABLE INSTALLATION CODE BY A PERSON FAMILIAR WITH THE CONSTRUCTION AND OPERATION OF THE PRODUCT AND THE HAZARDS INVOLVED.

**WARNINGS:**

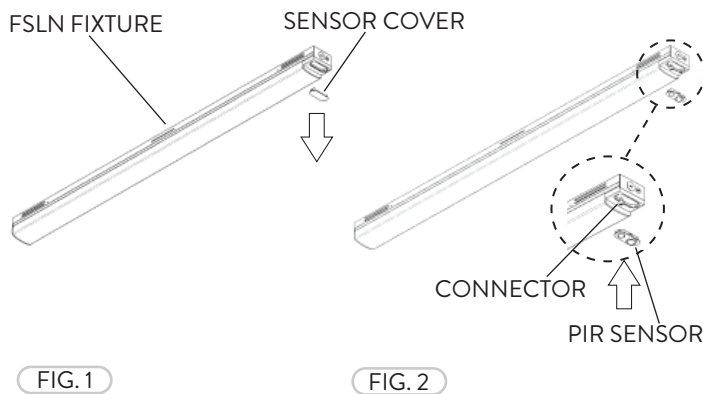
- Make certain power is OFF before installing or maintaining fixture. No user serviceable parts inside.
- To prevent wiring damage or abrasion, do not expose wiring to edges of sharp objects.

**CAUTION:**

- For proper weatherproof function all gaskets must be seated properly and all screws inserted and tightened firmly. Apply weatherproof silicone sealant around the edge of the Back Box and/or Junction Box. This is especially important with an uneven wall surface. Silicone all plugs and unused conduit entries.

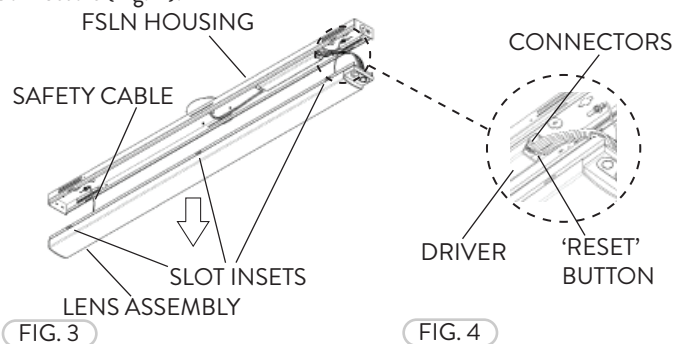
## PIR/DAYLIGHT SENSOR (OPTIONAL)

All models of FSLN are Bluetooth Network Control enabled. Remove the Sensor Cover (Fig. 1). Install the PIR Sensor to the FSLN fixture by attaching the Connector to the PIR Sensor and press into place onto the FSLN fixture (Fig. 2).



## RESET / DECOMMISSION

A FSLN fixture can be de-commissioned from any Network Zone manually by 'long pressing' for 5 seconds the 'Reset' Button that is located on the Bluetooth Driver inside the FSLN fixture. While holding at Slot Insets on the Lens Assembly, lift and tilt the Lens Assembly away from the Housing (Fig. 3). The Safety Cables will hold the Lens Assembly. The 'Reset' Button is located at the end of the Bluetooth Driver between the Wire Connectors (Fig. 4).



## WIRING DIAGRAM

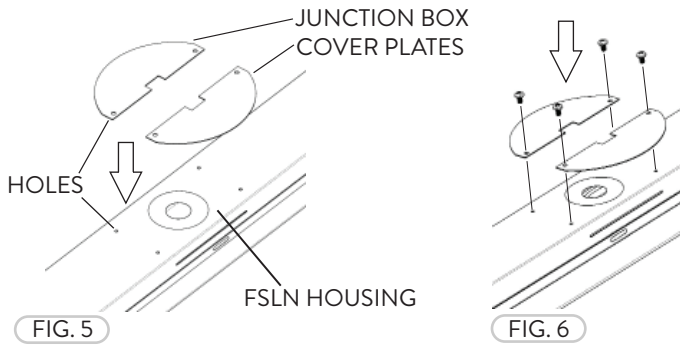
Connect the ACL and the ACN from the FSLN Fixture to the conduit with the AC power Supply Cable. Follow the Wiring Diagram provided.

### AC POWER SUPPLY

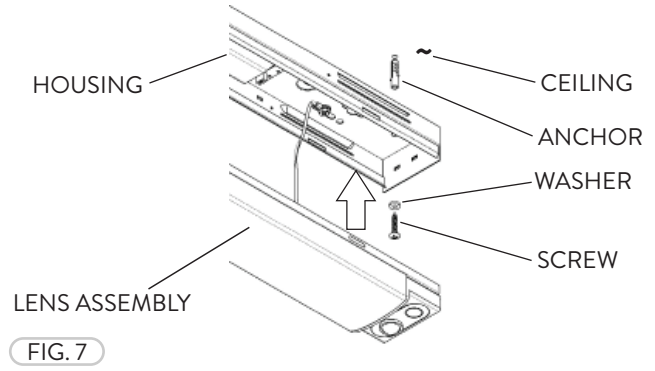


## FSLN SURFACE MOUNT

- 1 The Surface Mount Kit is included the FSLN fixture. The Surface Mount Kit consists of the Junction Box Cover Plates, Screws, Washers and plastic twist resistant Anchors. Install the Junction Box Cover Plates to the FSLN Housing by inserting the screws (Fig. 5 & 6).

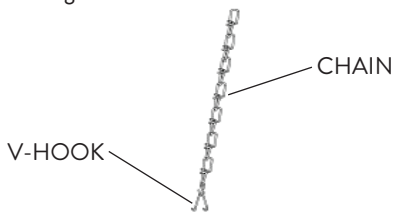


- 2 Remove the Lens Assembly (Refer to Fig. 3) from the Housing and install the FSLN fixture flush to the ceiling with the plastic twist resistant Anchors, Screws, and Washers (Fig. 7).

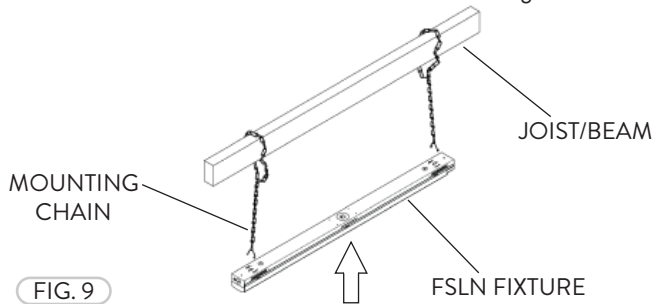


## OPTIONAL FSLN V-HOOK & CHAINS MOUNT

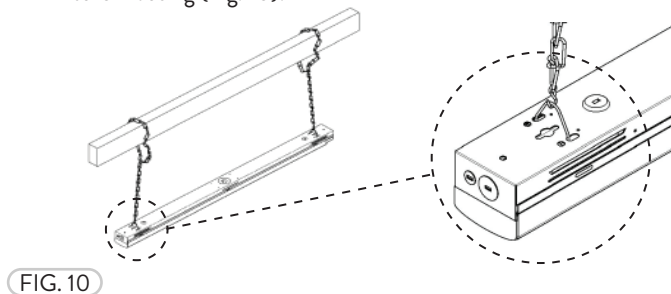
- 1 The V-Hook Mounting Kit for the FSLN fixture consists of the Hook and Chain (Fig. 8).



- 2 Install the Hook and Chain Mounting Kit to the ceiling Joist/Beam. Lift the FSLN fixture and attach to the Hooks (Fig. 9).

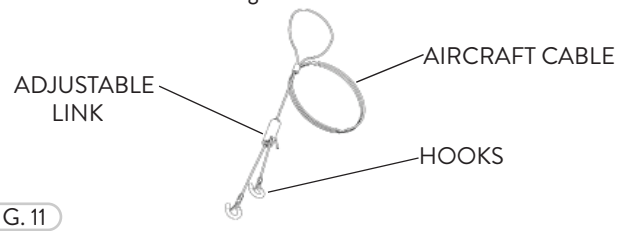


- 3 Place the Hooks into the slots and holes at the end of the FSLN fixture Housing (Fig. 10).

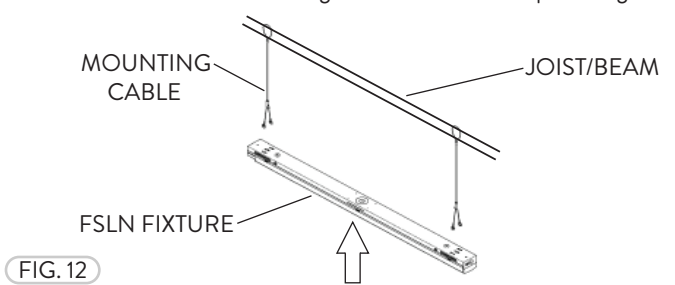


## OPTIONAL FSLN CABLE MOUNT

- 1 The AirCRAFT Cable Mounting Kit for the FSLN fixture consists of the cable and attachments (Fig. 11).



- 2 Install the Cable Mounting Kit to the ceiling joist/beam. Lift the FSLN fixture to the Mounting Cables and hook into place (Fig.12).



- 3 Place the Hooks on one side of FSLN fixture first, then place the hooks into other side of FSLN fixture (Fig. 13). The length of the Cables can be adjusted at the Link by depressing the spring loaded Plunger .

