

**IMPORTANT**

**READ CAREFULLY BEFORE INSTALLING FIXTURE. RETAIN THESE INSTRUCTIONS FOR FUTURE REFERENCE.**

PacLights fixtures must be wired in accordance with the National Electrical Code and all applicable local codes. Proper grounding is required for safety. THIS PRODUCT MUST BE INSTALLED IN ACCORDANCE WITH THE APPLICABLE INSTALLATION CODE BY A PERSON FAMILIAR WITH THE CONSTRUCTION AND OPERATION OF THE PRODUCT AND THE HAZARDS INVOLVED.

**WARNINGS:**

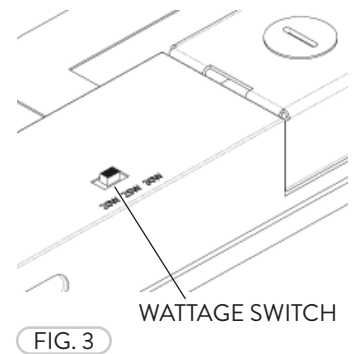
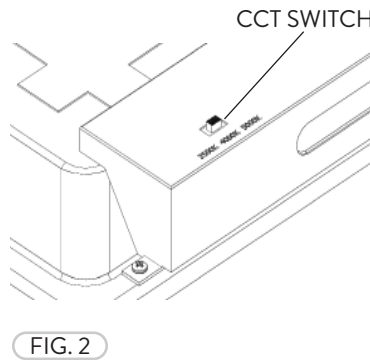
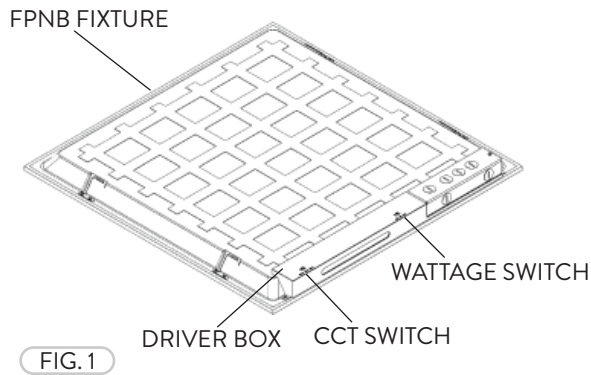
- Make certain power is OFF before installing or maintaining fixture. No user serviceable parts inside.
- To prevent wiring damage or abrasion, do not expose wiring to edges of sharp objects.

**CAUTION:**

- For proper weatherproof function all gaskets must be seated properly and all screws inserted and tightened firmly. Apply weatherproof silicone sealant around the edge of the Back Box and/or Junction Box. This is especially important with an uneven wall surface. Silicone all plugs and unused conduit entries.

**FIELD ADJUSTABLE CCT (Correlated Color Temperature) & WATTAGE**

The CCT Switch and the Wattage Switch are located on the back of the Driver Box of the FPNB fixture (Fig. 1). The Adjustable CCT Switch allows the user to choose a desired color temperature 3500K, 4000K, 5000K for all FPNB Models (Fig. 2). The Adjustable Wattage Switch allows the user to choose a desired output wattage (Fig. 3).



**WIRING DIAGRAM**

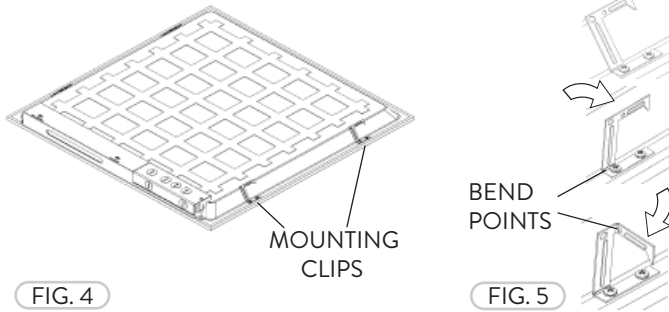
Connect the ACL and the ACN from the FPNB Fixture to the conduit with the AC power Supply Cable. Follow the Wiring Diagram provided.

**AC POWER SUPPLY**

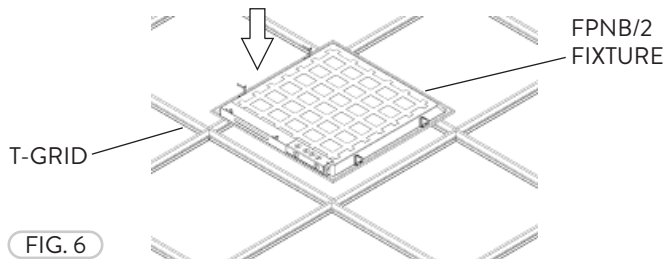


## FPNB MOUNTING ONTO T-GRID

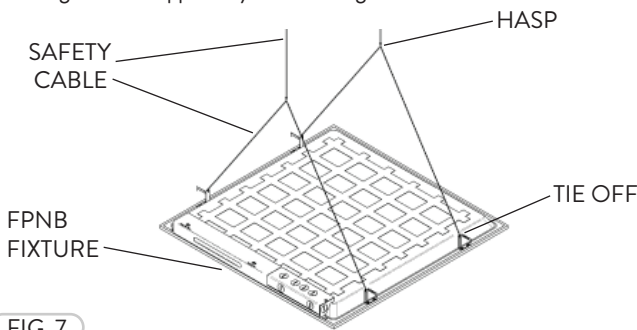
- 1 The Mounting Clips (4) are at the sides of the FPNB (Fig. 4). Use Pliers to bend the Mounting Clips at the appropriate bending points. First bend up at the base, then carefully bend out to 90° at the top of the Clip (Fig. 5) (For safety wear work gloves).



- 2 Insert the FPNB fixture to the T-Grid (Fig. 6). The Mounting Clips will set on top of the T-Grid.

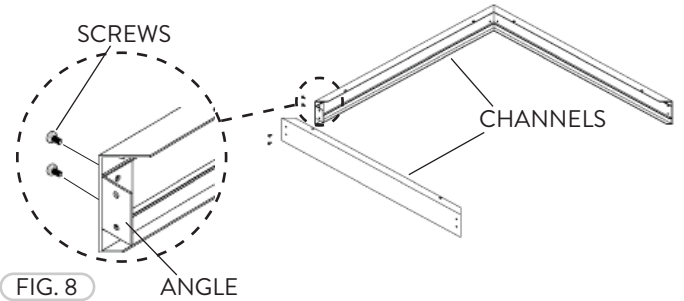


- 3 Secure Safety Cable to Mounting Clip holes as needed to meet local seismic requirements. Safety Cable and method of attachment to the building provided by contractor according to local building codes. Use a Safety Cable (hanger wire) to tie off appropriately (Screws and hanger wires supplied by others) (Fig. 7).

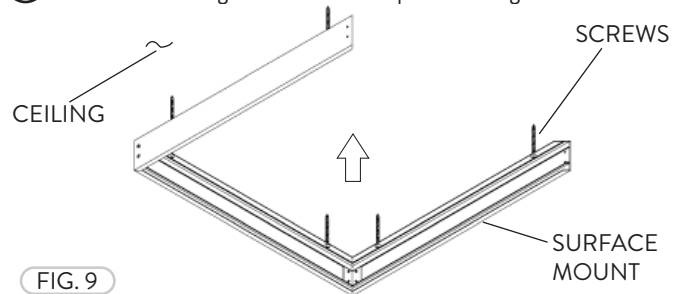


## OPTIONAL FPNB SURFACE MOUNT

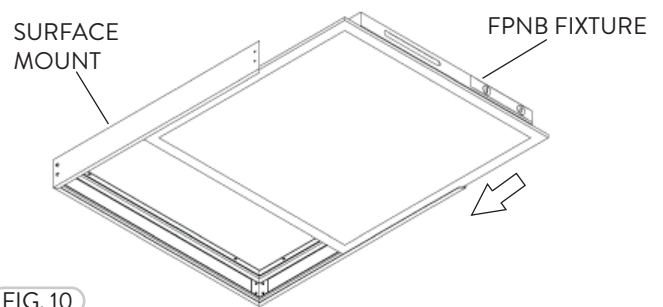
- 1 Start off by assembling three of the Channels together. Use Screws to fasten the Angles to the corners of the Channel frame (Fig. 8).



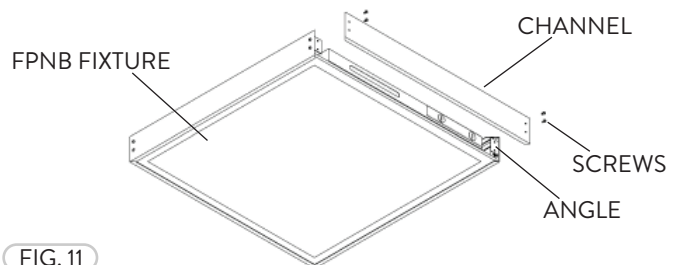
- 2 Fasten the three Channels of the Surface Mount to the Ceiling surface. Mounting Bolts/Screws not provided (Fig. 9).



- 3 Slide in the FPNB fixture through the open side of the Surface Mount (Fig. 10). This is when all the wiring installations should be made as well. Refer to the wiring diagram.



- 4 Once the fixture is properly installed into the Surface Mount, fasten the last two Angles and side Channel with Screws to completely enclose the fixture (Fig. 11).



## OPTIONAL DRYWALL RECESSED FLANGE

- 1 Start off by assembling the Recessed Flanges together by fastening the Screws to the corners of the Recessed Flanges (Fig. 12).

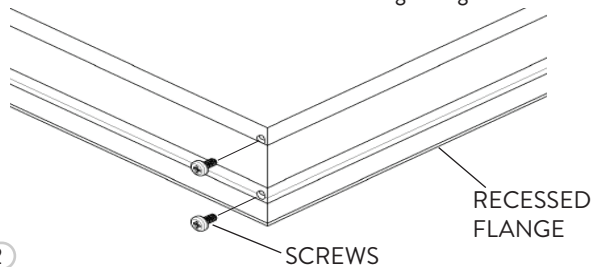


FIG. 12

- 2 Notch out the ceiling drywall surface. Insert the preassembled Recessed Flange frame flush to the ceiling leaving the Flanged Side underneath the ceiling. If the drywall ceiling is thin install the Cables to support the frame and the fixture. Cables are not included with the Recessed Flange frame (Fig. 13).

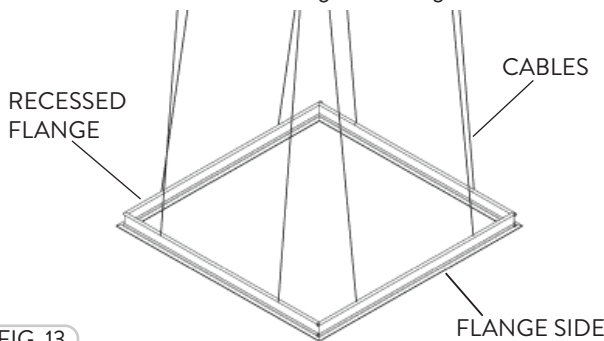


FIG. 13

- 3 After the frame is properly installed into the ceiling, one can then mount the fixture. Carefully mount the fixture onto the Recessed Flange and adjust any Aircraft Cables if necessary (Fig 14). Please refer to wiring diagram for wire installation.

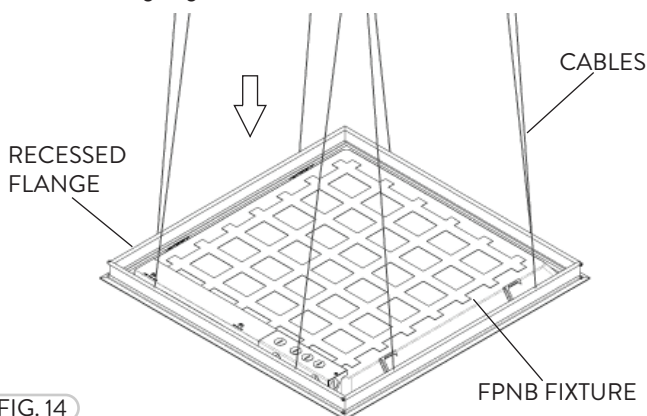


FIG. 14

- 4 If the Drywall ceiling is at least 1" thick, then the Recessed Flange Frame can be fastened from the sides. See 'cut-out' below (Fig. 15). Mounting screws are not included.

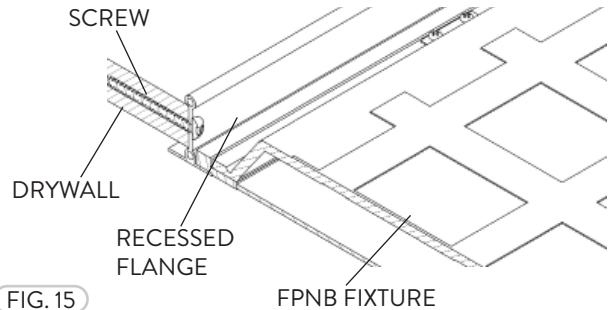


FIG. 15