

FLHC 2D 065/085/105/130/155/170



FLHC 2D 210



FLHC 4D 255



FLHC 4D 300/400

IMPORTANT

READ CAREFULLY BEFORE INSTALLING FIXTURE. RETAIN THESE INSTRUCTIONS FOR FUTURE REFERENCE.

PacLights fixtures must be wired in accordance with the National Electrical Code and all applicable local codes. Proper grounding is required for safety. THIS PRODUCT MUST BE INSTALLED IN ACCORDANCE WITH THE APPLICABLE INSTALLATION CODE BY A PERSON FAMILIAR WITH THE CONSTRUCTION AND OPERATION OF THE PRODUCT AND THE HAZARDS INVOLVED.

WARNINGS:

- Make certain power is OFF before installing or maintaining fixture. No user serviceable parts inside.
- To prevent wiring damage or abrasion, do not expose wiring to edges of sharp objects.

CAUTION:

- For proper weatherproof function all gaskets must be seated properly and all screws inserted and tightened firmly. Apply weatherproof silicone sealant around the edge of the Back Box and/or Junction Box. This is especially important with an uneven wall surface. Silicone all plugs and unused conduit entries.

FLHC CHAIN & V-HOOK MOUNT KIT

- 1 Install the FLHC V-Hook into the Mounting Holes of the FLHC Fixture (Fig. 1). All fixtures have Mounting Holes (4) at the top (two on each side).

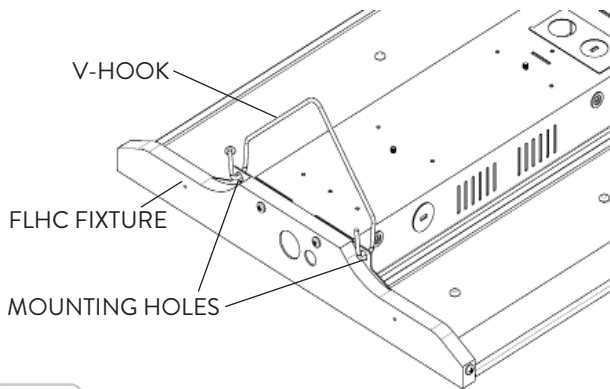


FIG. 1

- 2 Wrap two pieces of Chain around the Ceiling Beam and extend the Chain down to the required mounting height (Fig. 2). Attach the Chain and Chain Latch to the V-Hook (Fig. 3).

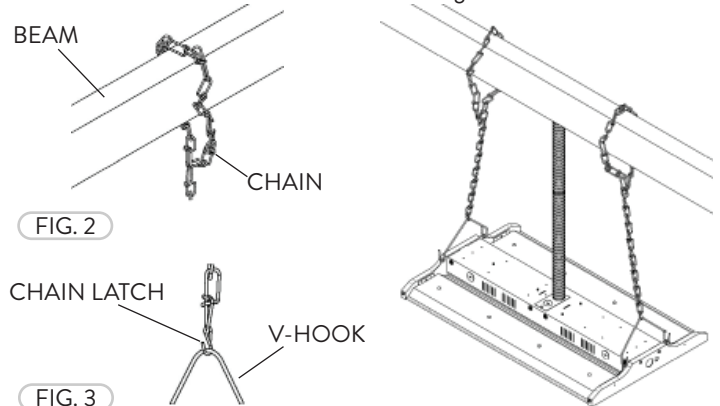


FIG. 2

FIG. 3

WIRING DIAGRAM

Connect the ACL and the ACN from the FLHC Fixture to the conduit with the AC power Supply Cable. Follow the Wiring Diagram provided.

AC POWER SUPPLY



OPTIONAL FLHC CABLE MOUNT KIT

- 1 The Cable Mount Kit includes Aircraft Cables (2). Wrap the two pieces of Cable around the Ceiling Beam and extend down to the required mounting height (Fig. 4).

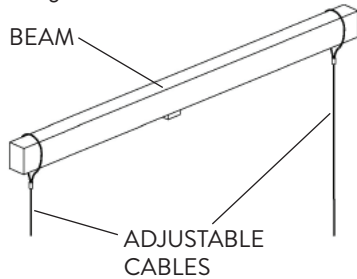


FIG. 4

- 2 Using the Aircraft Cable (Fixed Cable with tabs on both ends), insert the tabs into the FLHC Fixture Holes on both sides (Fig. 5). Once the Tabs have been inserted, the FLHC Fixture will be safely secured for mounting (Fig. 6).

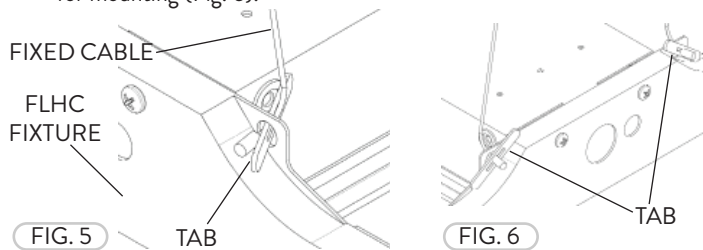


FIG. 5

FIG. 6

- 3 The mounting height of the FLHC Fixture is adjusted at the Cable Adjuster. This can be done by pushing in the Button on the Cable Adjuster to release the Adjustable Cable and then pulling the Short End Cable from the side of the Cable Adjuster to set the length of the Adjustable Cable that is suspended from the ceiling. Remove the Set Screw on the Cable Adjuster using an Allen wrench, insert the Fixed Cable inside the two slotted sides and fasten the Set Screw. This is to union the two Cables together (Fig. 7).

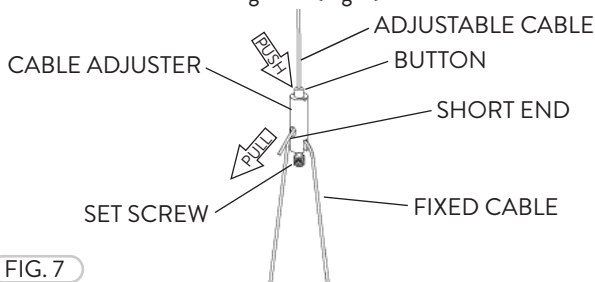
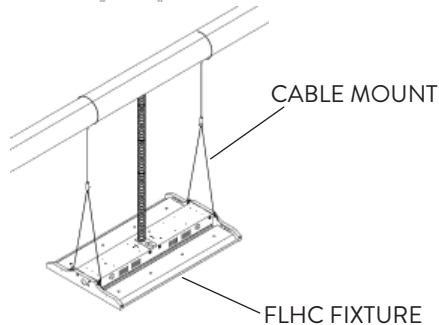


FIG. 7



OPTIONAL FLHC SURFACE MOUNT KIT

- 1 Install the Surface Mount to the Mounting Surface with the Mounting Screws (not included) (Fig. 8). The following figure is a detail of the Mounting Hole on the Surface Mount (Fig. 9).

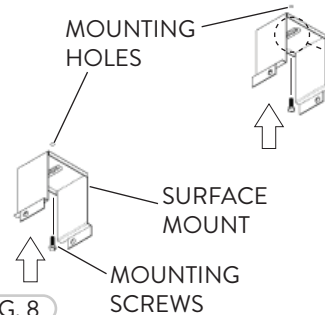


FIG. 8

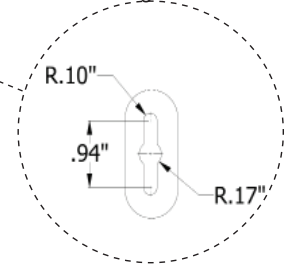


FIG. 9

- 2 Once the Surface Mounts are installed onto the surface and properly secured, place fasteners through the holes on each side of the FLHC Driver Box (Fig. 10). Fasten the Bolt, Lock-Washer and Washer to the FLHC Fixture.

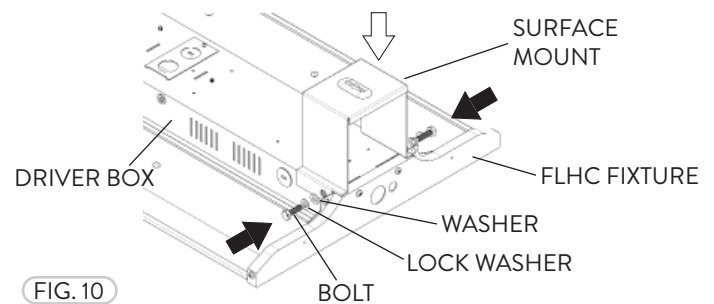


FIG. 10

- 3 After the FLHC Fixture is properly secured into place, refer to the Wiring Diagram to install the Fixture to an AC Power Supply. All connections must be made inside a J-Box (not included) (Fig. 11).

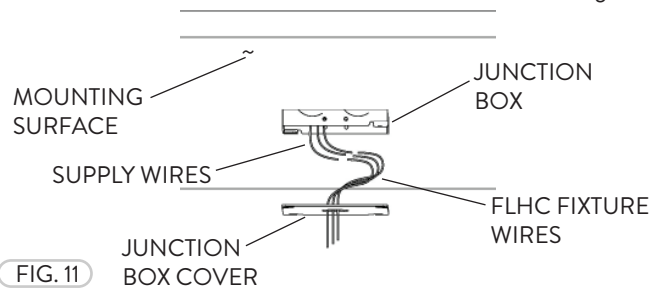


FIG. 11

- 4 This is how the properly surface mounted FLHC Fixture should look (Fig. 12).

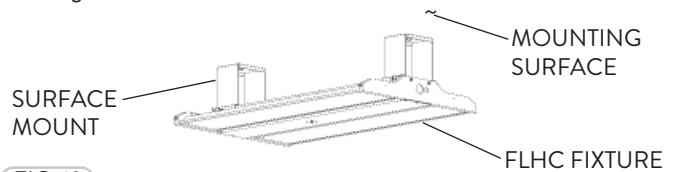


FIG. 12

OPTIONAL FLHC PENDANT MOUNT KIT

- 1 Fasten the Pendant Mount to the top-center of the FLHC Fixture using the Bolts, Washers, and Lock Washers to screw the Pendant Mount into place (Fig. 13).

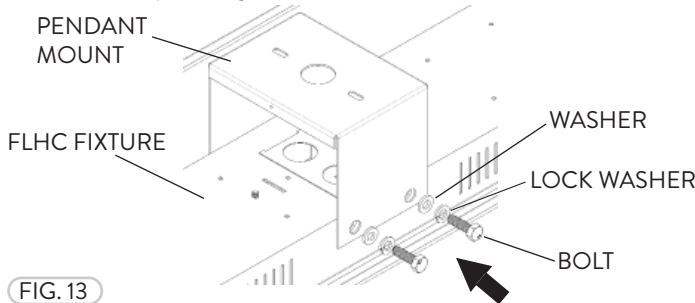


FIG. 13

- 2 Once the Pendant Mount is installed onto the fixture, fasten a Conduit to the Mount from the hole on the top side using a Lock Nut that matches the thread on the Conduit. Run the AC Power Supply Cable down the Conduit and join the wires to the FLHC Driver (Fig. 14). The small FLHC Wire Panel can be removed by removing one screw if necessary (Fig. 15).

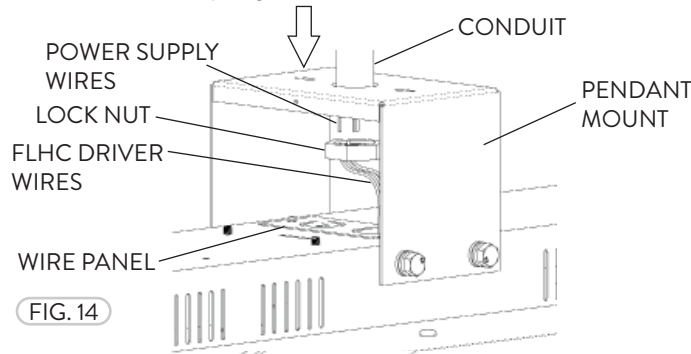


FIG. 14

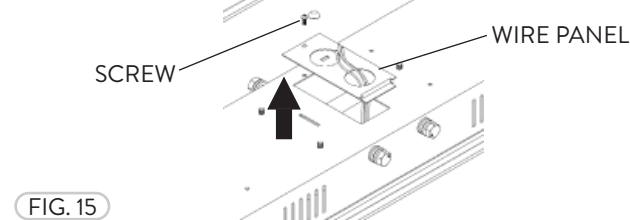


FIG. 15

- 3 Once all wiring is complete, use the two Cover Plates that are provided to cover the sides of the Pendant Mount (Fig. 16). Use the (two) Screws to fasten the Cover Plates into place (Fig. 17).

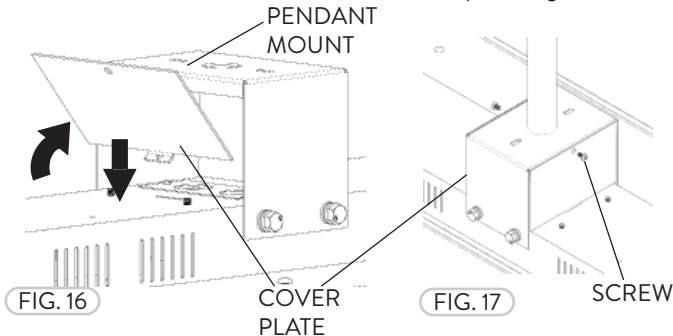


FIG. 16

FIG. 17

OPTIONAL FLHC WIRE GUARD KIT

- 1 The Wire Guards are in various sizes for the corresponding FLHC Fixture chosen (Fig. 18).

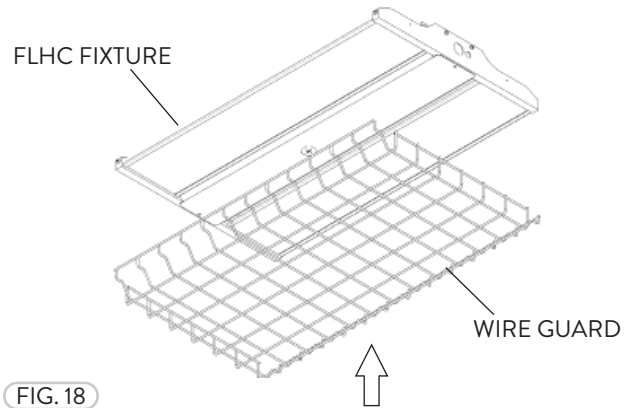


FIG. 18

- 2 Use the (four) formed Clips to fasten the Wire Guard onto the FLHC Fixture. This is done by using the (four) holes located on the ends of the fixture (Fig. 19).

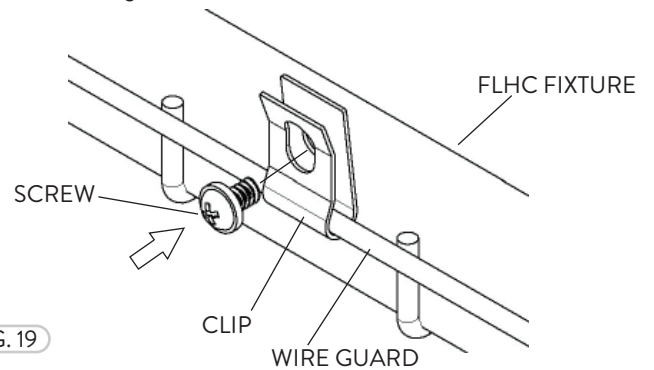


FIG. 19

- 3 The FLHC Fixture is now ready to be safely mounted onto various types of mounting methods and ready for wiring installation (Fig. 20).

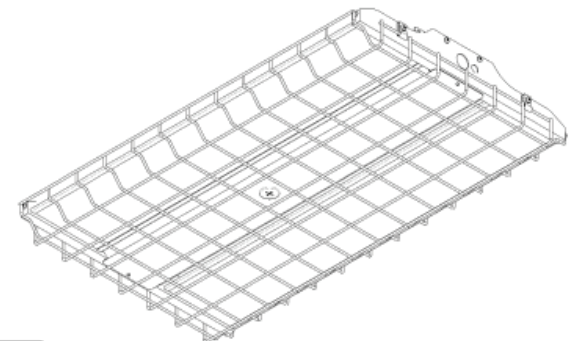


FIG. 20

OPTIONAL BI-LEVEL OCCUPANCY CONTROL

- 1 The FLHC Fixtures have an Optional Microwave Occupancy Control sensor that can be added. Unscrew and remove the plastic Sensor Cap from the bottom of the fixture (Fig. 21).

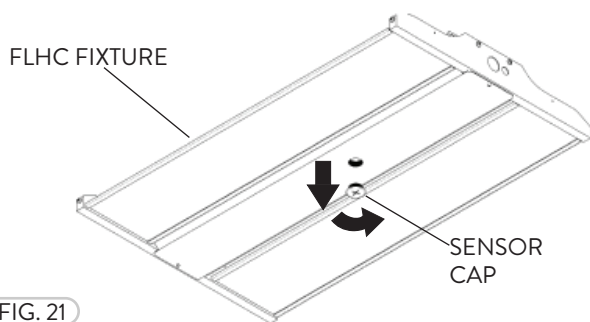


FIG. 21

- 2 The Microwave Occupancy Control Sensor has a Connector that inserts into the bottom of the FLHC fixture (Fig. 22).

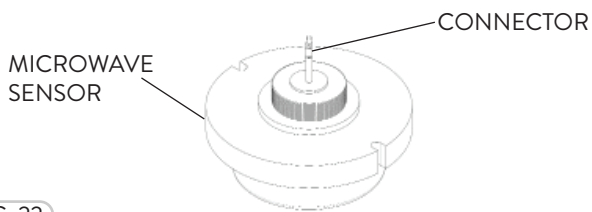


FIG. 22

- 3 Carefully screw in the Sensor into the FLHC fixture (Fig. 23).

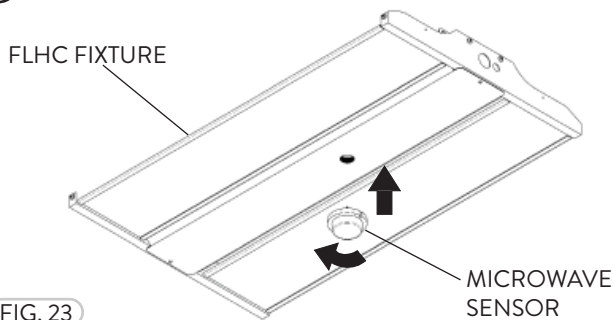


FIG. 23

OPTIONAL OCCUPANCY & DAYLIGHT HARVESTING CONTROL

- 1 The FLHC Fixtures have an Optional Occupancy Daylight Harvesting Control Sensor that can be added. Unscrew and remove the plastic Sensor Cap from the fixture (Refer to Fig. 21). The Occupancy Daylight Harvesting Control Sensor has a connector that inserts into the bottom of the FLHC fixture (Fig. 24). Carefully screw in the Sensor into the FLHC fixture (Refer to Fig. 23).

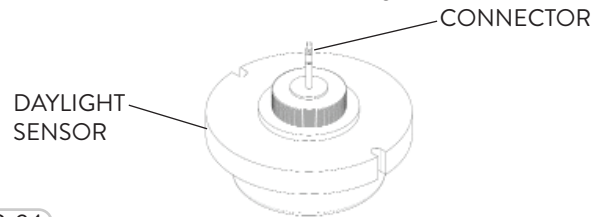


FIG. 24