

FHZR 060



FHZR 100/150

### IMPORTANT

**READ CAREFULLY BEFORE INSTALLING FIXTURE. RETAIN THESE INSTRUCTIONS FOR FUTURE REFERENCE.**

PacLights fixtures must be wired in accordance with the National Electrical Code and all applicable local codes. Proper grounding is required for safety. THIS PRODUCT MUST BE INSTALLED IN ACCORDANCE WITH THE APPLICABLE INSTALLATION CODE BY A PERSON FAMILIAR WITH THE CONSTRUCTION AND OPERATION OF THE PRODUCT AND THE HAZARDS INVOLVED.

**WARNINGS:**

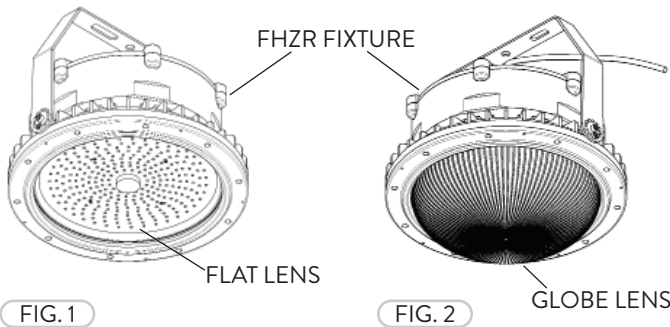
- **MIN 90°C SUPPLY CONDUCTOR. THIS PRODUCT MUST BE INSTALLED IN ACCORDANCE WITH THE APPLICABLE INSTALLATION CODE BY A PERSON FAMILIAR WITH THE CONSTRUCTION AND OPERATION OF THE PRODUCT AND THE HAZARDS INVOLVED.**
- **Make certain power is OFF before installing or maintaining fixture. No user serviceable parts inside.**
- **To prevent wiring damage or abrasion, do not expose wiring to edges of sharp objects.**

**CAUTION:**

- **For proper weatherproof function all gaskets must be seated properly and all screws inserted and tightened firmly. Apply weatherproof silicone sealant around the edge of the Back Box and/or Junction Box. This is especially important with an uneven wall surface. Silicone all plugs and unused conduit entries.**

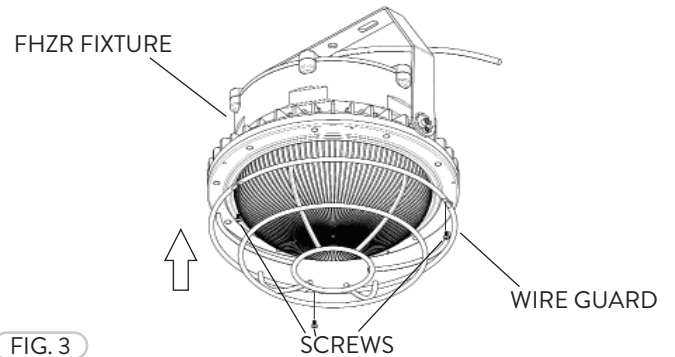
### FHZR LENS

The FHZR Series comes with a clear Flat Lens (Fig. 1) or the Frost Globe Lens pre-installed if needed (Fig. 2).



### FHZR WIRE GUARD (OPTIONAL)

The Optional Wire Guard is available for all of the FHZR Series. The Wire Guard can be installed to cover either the Flat Lens or the Globe Lens. If not pre-installed, the Wire Guard can easily be installed. Insert the Screws (3) and fasten the Wire Guard onto the FHZR fixture (Fig. 3).



### WIRING DIAGRAM

Connect the ACL and the ACN from the FHZR Fixture to the conduit with the AC power Supply Cable. Follow the Wiring Diagram provided.

#### AC POWER SUPPLY



### FHZR 3/4" PENDANT MOUNT

- 1 The Pendant Mount (Not Included) can be used for all the FHZR Series. Remove the Compression Nut by unscrewing from the FHZR fixture and sliding off the Cable (Fig. 4).

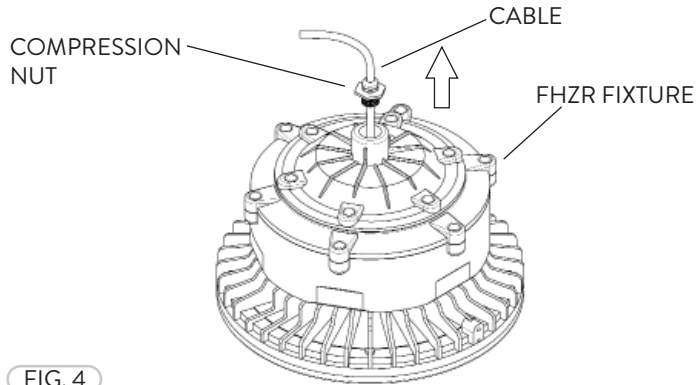


FIG. 4

- 2 Run the Cable through the Pendant and screw in the threaded Pendant into the FHZR fixture (Fig. 5). Refer to the wiring diagram.

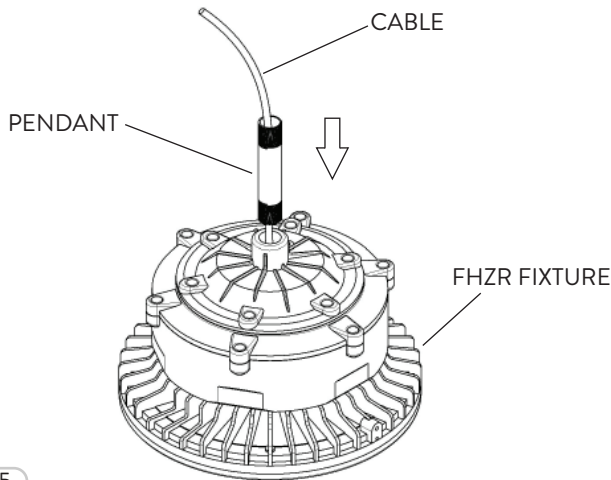


FIG. 5

### FHZR SAFETY RETENTION CABLE

- 1 The FHZR Safety Retention Cable is necessary for the FHZR 100/150 Models (Fig. 6).

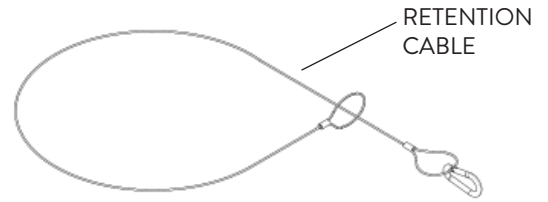


FIG. 6

- 2 Secure the Safety Retention Cable around the middle of the FHZR fixture (Fig. 7).

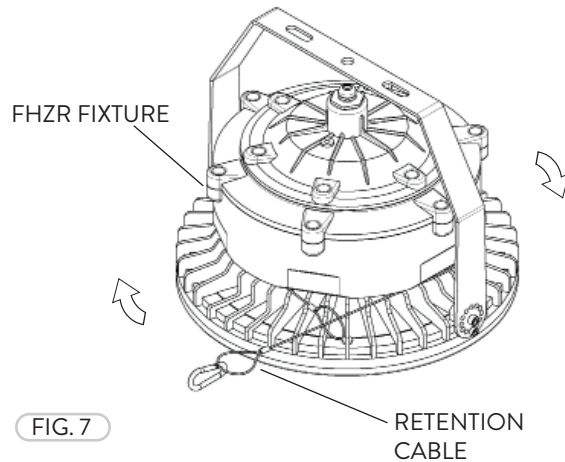


FIG. 7

- 3 Secure the other end of the Safety Retention Cable around the mounting structure, such as a Beam (Fig. 8).

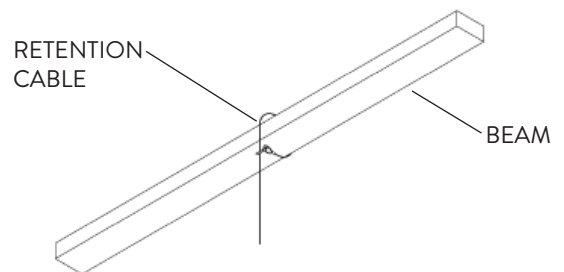


FIG. 8

### FHZR TRUNNION MOUNT

- 1 The FHZR Trunnion Mount is included and attached to all FHZR Fixtures (Fig. 9). The FHZR Trunnion Mount can be used to surface mount the FHZR Fixture.

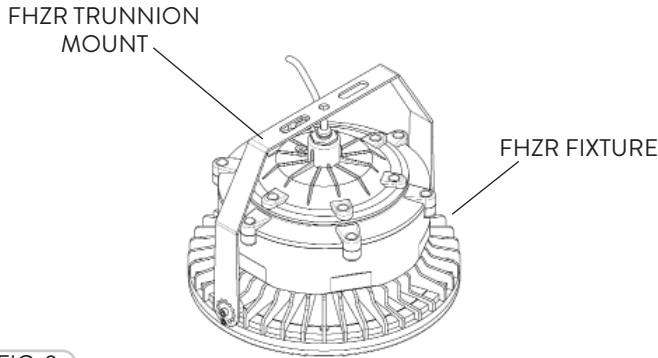


FIG. 9

- 4 Fasten the Trunnion Mount to the mounting surface (Wall or Ceiling) with the appropriate bolts (may vary depending on the mounting surface) by a certified personnel (Fig. 12). Refer to #2. or #3. for dimensions.

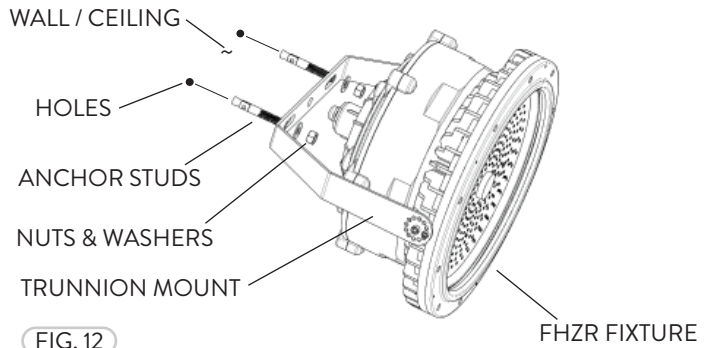


FIG. 12

### TRUNNION MOUNT DIMENSIONS

- 2 FHZR 060 Trunnion Mount dimensions (Fig. 10).

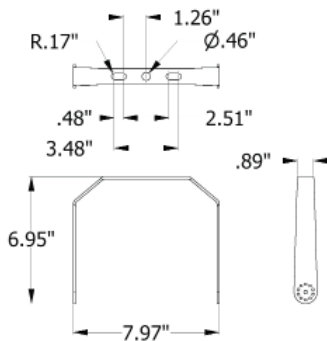


FIG. 10

- 3 FHZR 100 & 150 Trunnion Mount dimensions (Fig. 11).

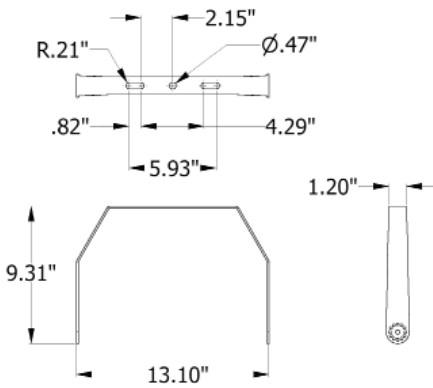


FIG. 11

- 5 Instead of having the fixture directly surface mounted at a fixed position, the FHZR fixture can be adjusted by loosening the large Screws and removing the smaller Screws at the sides of the of the Trunnion Mount. This allows the fixture to rotate to the desired tilt angle to aim at a specific position. Align the Trunnion Mount hole to the FHZR fixture hole. Insert and tighten the Screws (Fig. 13).

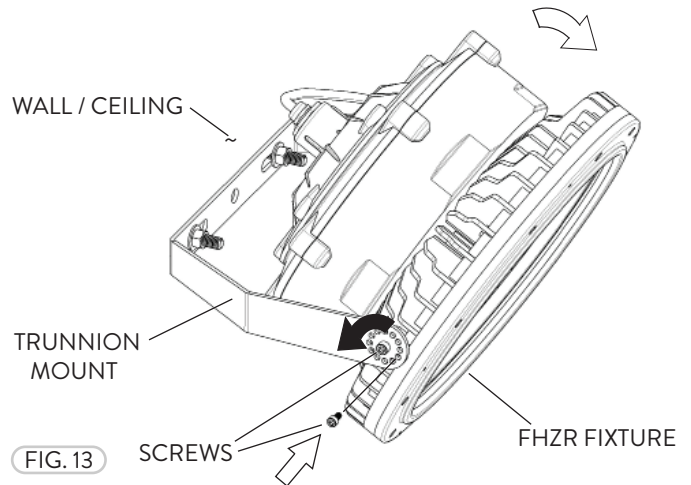


FIG. 13