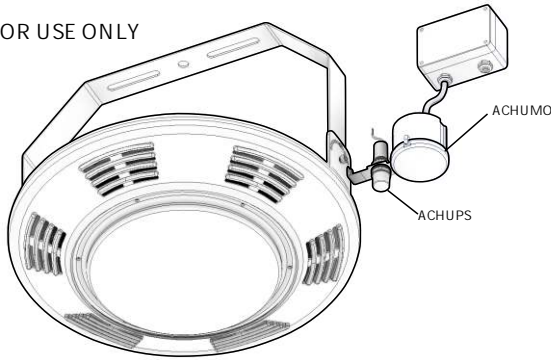


FOR INDOOR USE ONLY



- 1) Remove the two [2] # 4-40 PHMS from the ACHUMMO-MB bracket of the ACHUMMO and remove the small phillips screw from underneath the sensor in order to replace the ACHUMMO bracket with the ACHUMMO3-MB . Using a Phillips screw driver (preferable with a magnetic tip), Fasten the bracket onto the FHW luminaire and use the hexnuts provided to lock it in place.
- 2) Remove the ACHUPS sensor from the ACHUPS-MB, and install the sensor to the ACHUMMO3-MB. Make sure the orientation of the sensor is the same as the day harvesting detector.
- 3) Use the Wire Diagram provided for the required connections. Make sure all wiring connections are made inside the J-Box provided and are properly sealed by an authorized electrician.
- 4) Refer to the Individual installation sheets for the ACHUMMO and the ACHUPS for adjusting the settings on the Microwave sensor and the Daylight Harvesting Detector.

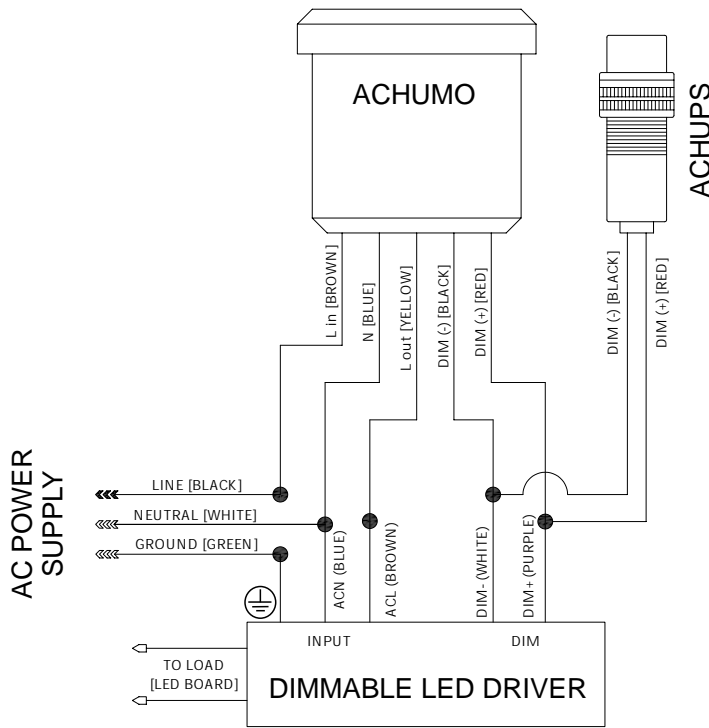
ACHUMMO: MICROWAVE OCCUPANCY DETECTION & ACHUPS: DAYLIGHT HARVESTING SENSOR

PART NO.	IMAGE	DESCRIPTION	QTY
ACHUPS		Photocell/Daylight harvesting Sensor, 1-10Vdc Dim down/up according to ambient brightness level, target light level adjustable. Ip20 rated.	1
ACHUMMO		Microwave occupancy sensor with J-Box	1
ACHUMMO3-MB		Mounting Bracket for the ACHUMMO Microwave Sensor and ACHUPS Daylight Harvesting Sensor to the FHW luminaire.	1
10-00033		# 4-40 Pan Head Machine Screw	2
10-00033		# 4-40 Hex Nut	2



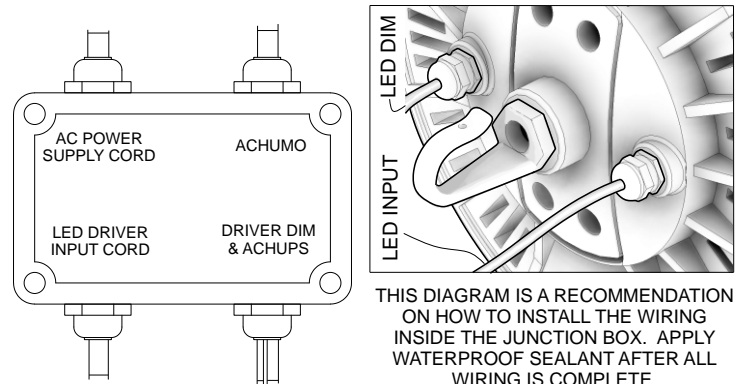
CAUTION: PLEASE FOLLOW THIS INSTRUCTION MANUAL CAREFULLY TO PREVENT ANY INJURIES OR COMPLICATIONS THAT MAY ARISE.

WARNING: Before installing or maintaining the luminaire, make sure all powers are **TURNED OFF**. Verify that the supply voltage is correct by comparing it with the label information on all fixtures. Make all connections in accordance with the NEC requirements, and make sure all luminaires are properly secured to prevent any wire complications. This luminaire is not to exceed the maximum ambient temperature rating noted on the specification sheet.



When ACHUMMO microwave sensor works together with the ACHUPS daylight harvesting sensor, the lighting fixture will dim the light in response to the available daylight in the area when the area is being occupied.

When the customer orders the ACHUMMO and the ACHUPS, a special mounting bracket will also be included (ACHUMMO3-MB). This mounting bracket is specifically made to be able to mount both the sensor and occupancy detector simultaneously. Each FHW luminaire already comes with two holes made specifically for this bracket.



THIS DIAGRAM IS A RECOMMENDATION ON HOW TO INSTALL THE WIRING INSIDE THE JUNCTION BOX. APPLY WATERPROOF SEALANT AFTER ALL WIRING IS COMPLETE.