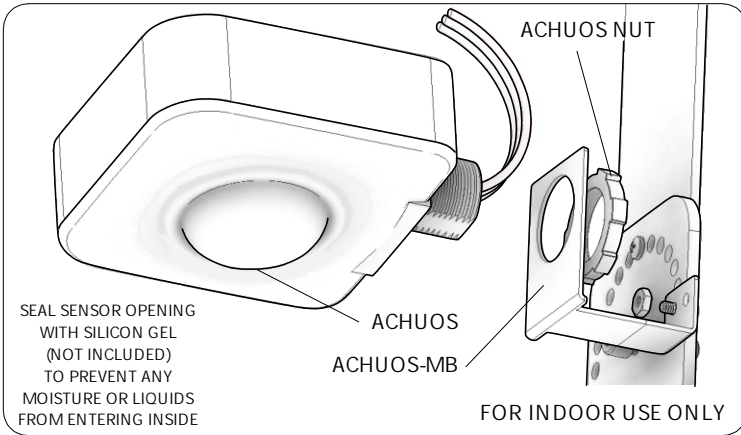


ACHUOS: PIR OCCUPANCY DETECTION

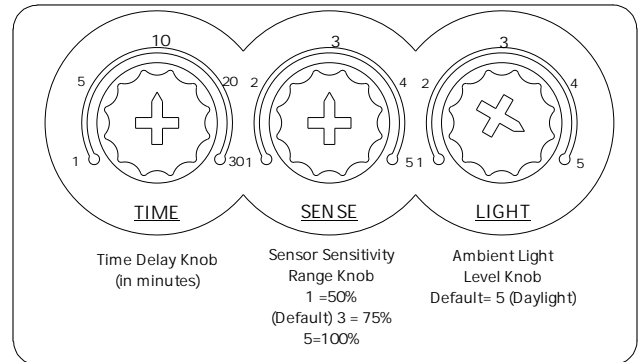
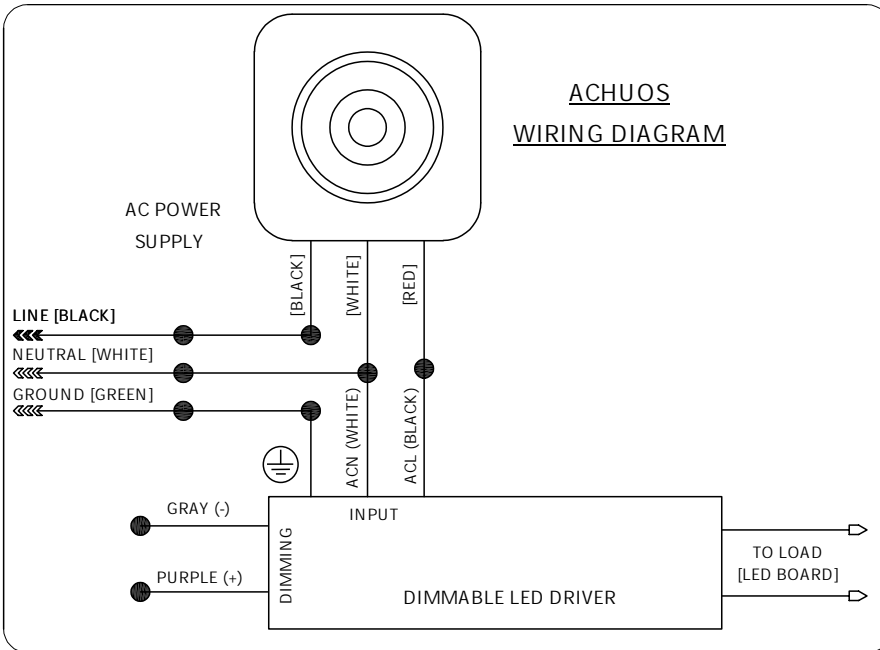


CAUTION: PLEASE FOLLOW THIS INSTRUCTION MANUAL CAREFULLY TO PREVENT ANY INJURIES OR COMPLICATIONS THAT MAY ARISE.

WARNING: Before installing or maintaining the luminaire, make sure all powers are **TURNED OFF**. Verify that the supply voltage is correct by comparing it with the label information on all fixtures. Make all connections in accordance with the NEC requirements, and make sure all luminaires are properly secured to prevent any wire complications. This luminaire is not to exceed the maximum ambient temperature rating noted on the specification sheet.



PART NO.	IMAGE	DESCRIPTION	QTY
ACHUOS		Passive infrared occupancy sensor, 120-277v. Adjustable Timer and Sensitivity. Includes the ACHUOS NUT. Indoor Use Only	1
ACHUOS-MB		Mounting Bracket for the ACHUOS Photocell Sensor	1
10-00032		# 4-40 Pan Head Machine Screw	2
10-00033		# 4-40 Hex Nut	2



The ACHUOS comes with a black mounting bracket made specifically to be installed with the FHW luminaire. Each FHW luminaire already comes with a hole made specifically for this bracket.

- 1) Make sure all Powers are OFF.
- 2) Remove the custom gear-shaped washer in order to remove the mounting bracket from the ACHUOS sensor. Be sure to not misplace any parts since they will all have to be used for later steps.
- 3) Remove the two [2] # 4-40 PHMS from the mounting bracket. Using a Phillips screw driver (preferable with a magnetic tip), Fasten the bracket onto the FHW luminaire and use the hexnuts provided to lock it in place.
- 4) Once the mounting bracket is fastened onto the FHW, one can now mount the sensor onto the bracket using the same custom gear-shaped washer.
- 5) Refer to the wiring diagram provided to connect the ACHUOS to the LED Driver.
- 6) Make sure all wiring connections are made inside a J-Box and are properly sealed by an authorized electrician.
- 7) Seal the sensor opening to prevent any liquids from entering
- 8) Adjust the [3] knobs to get the desired setting.