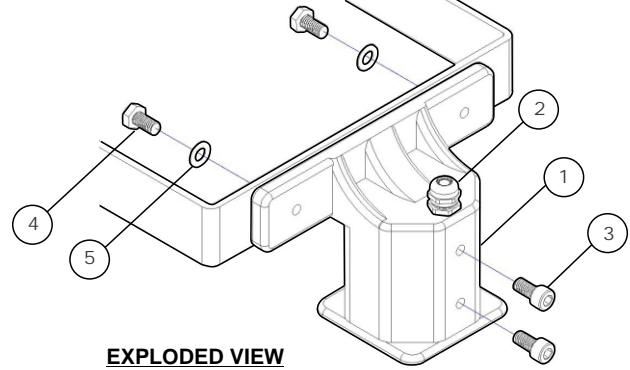

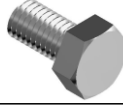



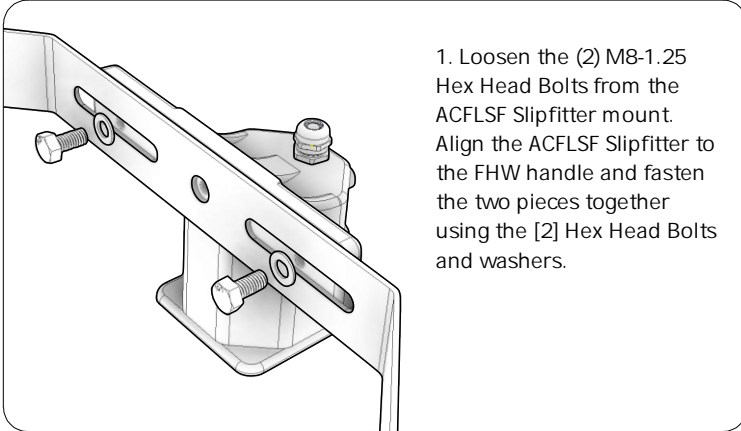


ACFLSF- "ON-TRUNNION MOUNT", SLIP-FITS OVER A 2" POLE OR TENON (2.375" O.D.)

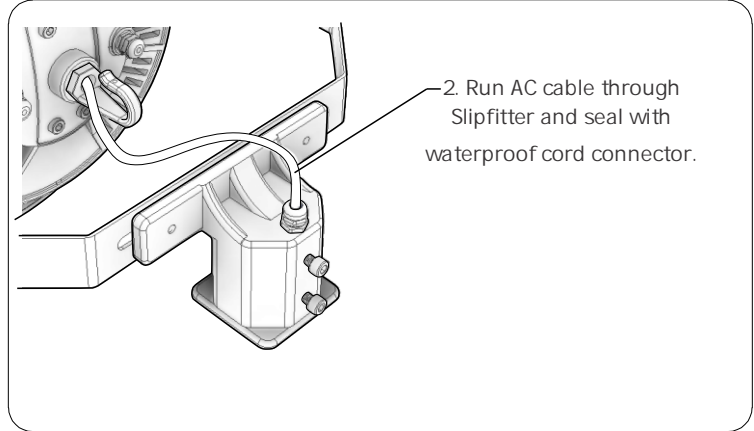


EXPLODED VIEW

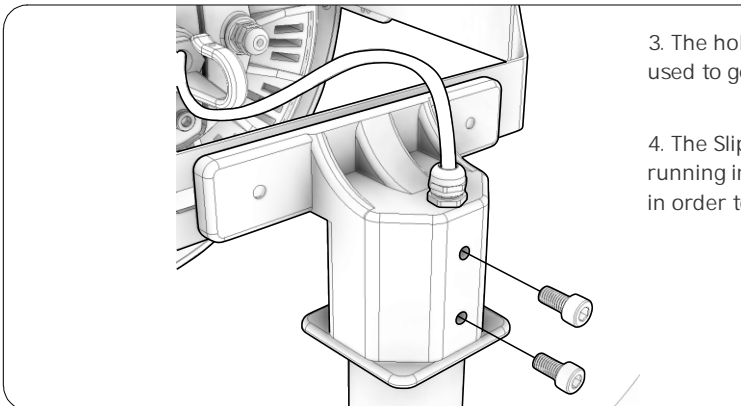
PART NO.	DESCRIPTION	QTY	PART NO.	DESCRIPTION	QTY
1	 ACFLSF- Slipfitter Mount, Slip-fits over a 2" pole or tenon (2.375" O.D.)	1	4	 10-00046- M8-1.25 x 15 mm Hex Head Machine Bolt	2
2	 10-00047- Waterproof Cable Gland	1	5	 10-00040- Washer for M8-1.25 Bolt	2
3	 10-00028- M8-1.25 x 16 mm Socket Head Machine Bolt	2			



1. Loosen the (2) M8-1.25 Hex Head Bolts from the ACFLSF Slipfitter mount. Align the ACFLSF Slipfitter to the FHW handle and fasten the two pieces together using the [2] Hex Head Bolts and washers.



2. Run AC cable through Slipfitter and seal with waterproof cord connector.



3. The hole on top of the Slipfitter is used to mount a waterproof cable gland. This is used to get the AC Input cable from the luminaire into the slipfitter.

4. The Slipfitter should be mounted onto a hollow round 2" part with AC Power cords running inside of it. Make sure all powers are o . Follow the wiring diagram provided in order to install the luminaire to the AC Power Supply.