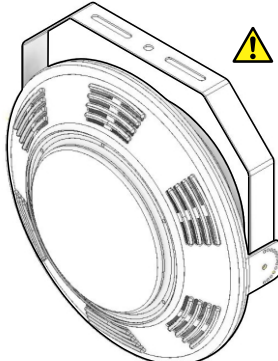


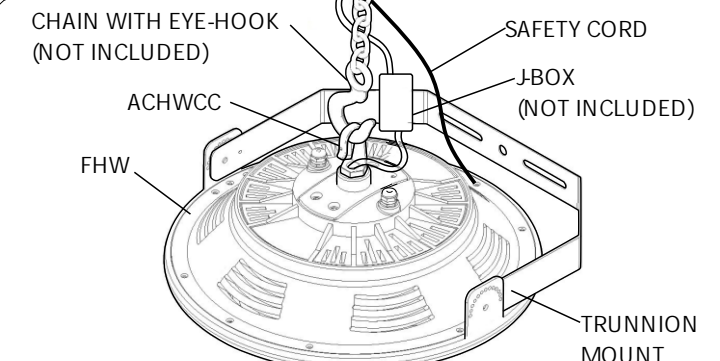
FHW Series LED High Bay Installation Guide



Includes: FHW300, FHW400, FHW480

CAUTION: PLEASE FOLLOW THIS INSTRUCTION MANUAL CAREFULLY TO PREVENT ANY INJURIES OR COMPLICATIONS THAT MAY ARISE.

WARNING: Before installing or maintaining the luminary, make sure all powers are **TURNED OFF**. Verify that supply voltage is correct by comparing it with the label information on all fixtures. Make all connections in accordance with the NEC requirements, and make sure all luminaires are properly secured to prevent any wire complications.



CHAIN WITH EYE-HOOK (NOT INCLUDED)

SAFETY CORD

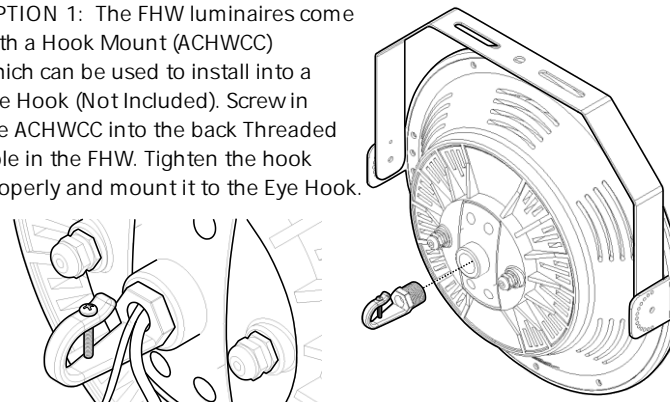
J-BOX (NOT INCLUDED)

ACHWCC

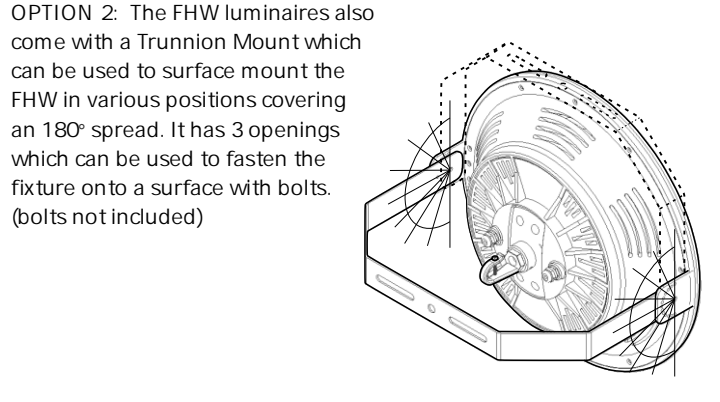
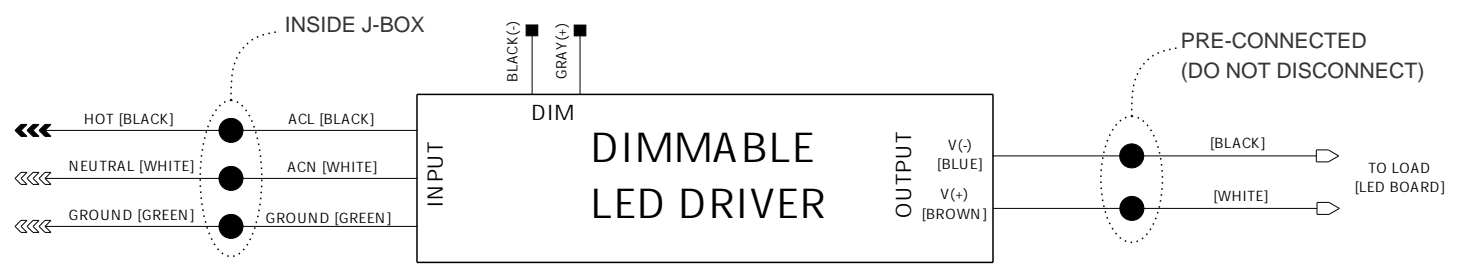
FHW

TRUNNION MOUNT

OPTION 1: The FHW luminaires come with a Hook Mount (ACHWCC) which can be used to install into a Eye Hook (Not Included). Screw in the ACHWCC into the back Threaded hole in the FHW. Tighten the hook properly and mount it to the Eye Hook.



OPTION 2: The FHW luminaires also come with a Trunnion Mount which can be used to surface mount the FHW in various positions covering an 180° spread. It has 3 openings which can be used to fasten the fixture onto a surface with bolts. (bolts not included)

INSIDE J-BOX

HOT [BLACK] → ACL [BLACK]

NEUTRAL [WHITE] → ACN [WHITE]

GROUND [GREEN] → GROUND [GREEN]

BLACK (-)

GRAY (+)

DIM

DIMMABLE LED DRIVER

INPUT

OUTPUT

V(-) [BLUE]

V(+) [BROWN]

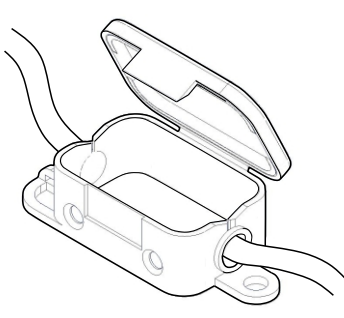
PRE-CONNECTED (DO NOT DISCONNECT)

[BLACK]

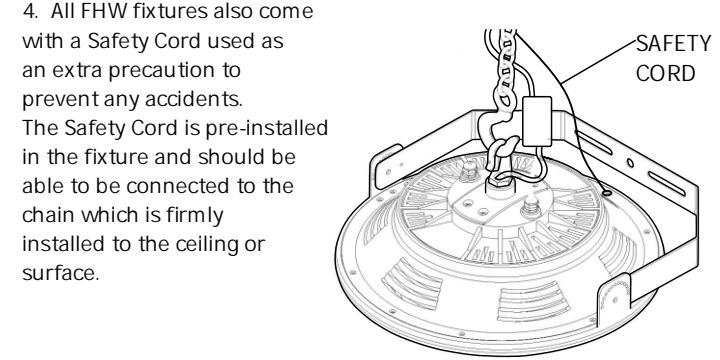
[WHITE]

TO LOAD [LED BOARD]

3. All wiring connections must be made inside a Junction Box. Make sure to choose the correct junction box for the desired application. Some junction boxes are made for outdoor applications and others are made for indoor applications.



4. All FHW fixtures also come with a Safety Cord used as an extra precaution to prevent any accidents. The Safety Cord is pre-installed in the fixture and should be able to be connected to the chain which is firmly installed to the ceiling or surface.



SAFETY CORD