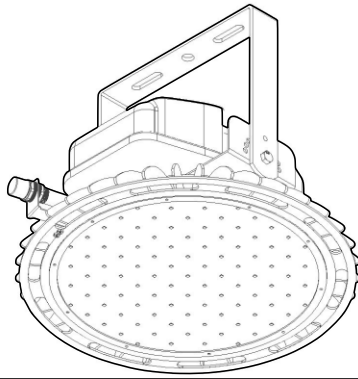


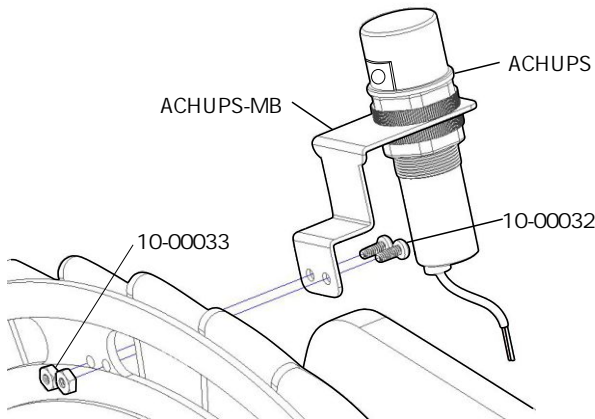
ACHUPS: DAYLIGHT HARVESTING SENSOR



CAUTION: PLEASE FOLLOW THIS INSTRUCTION MANUAL CAREFULLY TO PREVENT ANY INJURIES OR COMPLICATIONS THAT MAY ARISE.

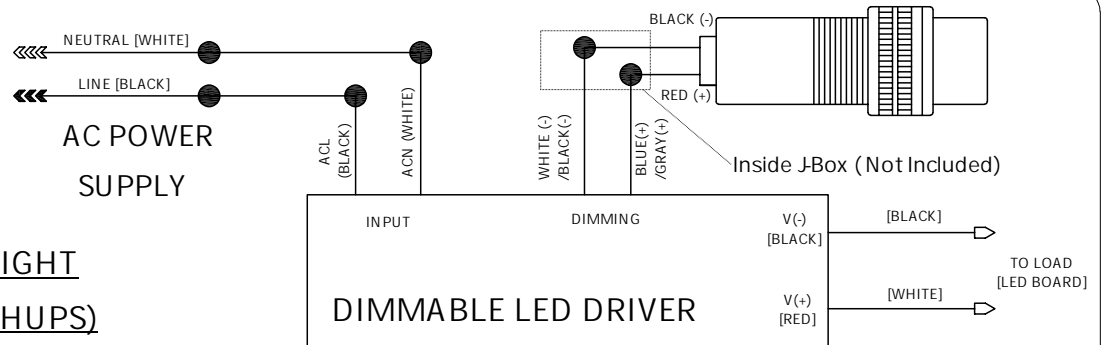
WARNING: Before installing or maintaining the luminaire, make sure all powers are **TURNED OFF**. Verify that the supply voltage is correct by comparing it with the label information on all fixtures. Make all connections in accordance with the NEC requirements, and make sure all luminaires are properly secured to prevent any wire complications. This luminaire is not to exceed the maximum ambient temperature rating noted on the specification sheet.

INSTALLATION STEPS



| PART NO. | IMAGE | DESCRIPTION | QTY |
|-----------|-------|---|-----|
| ACHUPS | | Photocell/Daylight harvesting Sensor, 1-10Vdc Dim down/up according to ambient brightness level, target light level adjustable. Ip20 rated. | 1 |
| ACHUPS-MB | | Mounting Bracket for the ACHUPS Photocell Sensor | 1 |
| 10-00032 | | # 4-40 Pan Head Machine Screw | 2 |
| 10-00033 | | # 4-40 Hex Nut | 2 |

CONNECTION TO (DAYLIGHT HARVESTING SENSOR ACHUPS)



1) Remove the two [2] #4-40 PHMS from the mounting bracket. Using a Phillips screw driver (preferable with a magnetic tip), Fasten the bracket onto the FHU luminaire (all FHU fixtures have two small holes specifically made for the ACHUPS-MB bracket and use the hexnuts provided to lock it in place.

2) Refer to the wiring diagram to connect the ACHUPS to the Dimmable LED Driver.

3) Make sure all wiring connections are made inside a J-Box. Since the Daylight Harvesting Sensor is to only be used indoors. It must be an Indoor J-Box.

4) On the photocell, there is a small adjustable knob with a (+) and (-) sign, this knob is the Potentiometer for adjusting the light level desired. It is recommended for the target light level to be between 40% to 80% of the total lux of luminaires.

