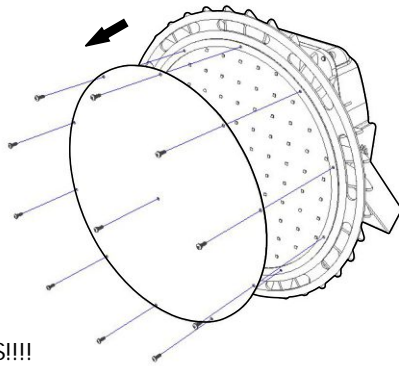


ACHULEN60A - 60 DEGREE LENS FOR FHU 150  
ACHULEN60B - 60 DEGREE LENS FOR FHU 200

1. Using a #2 Phillips screw driver, remove the (11) M3-7.5 PHMS from the FHU luminaire to remove the default lens.

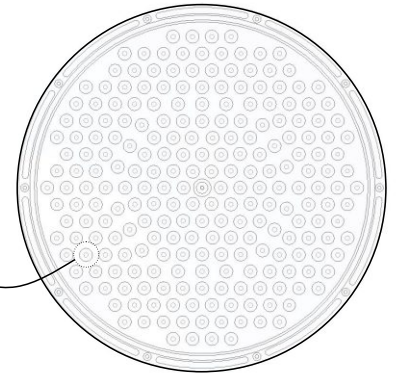
2. Replace the default lens with the ACHULEN60A/B. (Depending on which luminaire is the one being modified.)



**WARNING:**

**DO NOT TOUCH THE LEDS!!!!**

2b) It is very important to make sure the domes on the lens are lined up with the LED pieces on the light fixture.



3. Fasten the (11) M3-7.5 PHMS screws back into the FHU luminaire to secure the ACHULEN60A/B in place.

