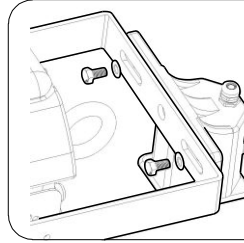
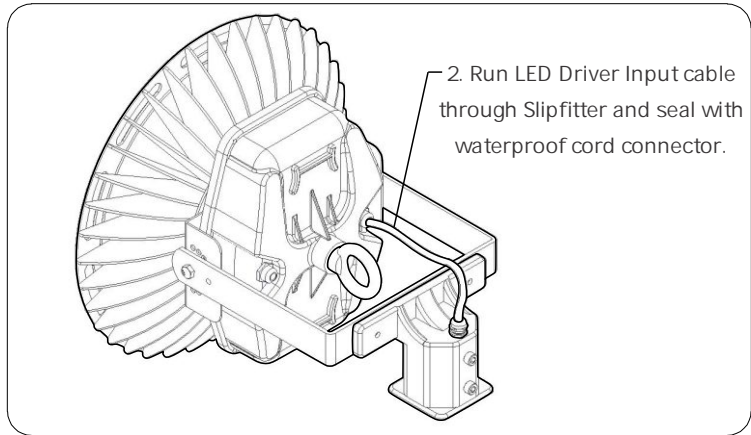
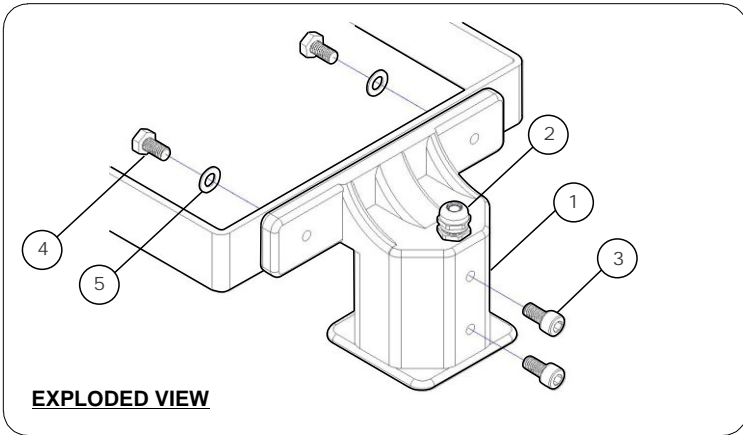



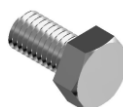



ACFLSF- SLIPFITTER MOUNT, SLIP-FITS OVER A 2" POLE OR TENON (2.375" O.D.)

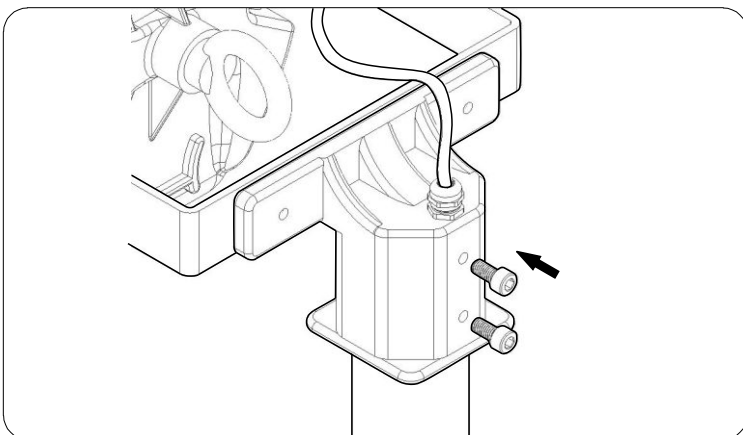
INSTALLATION STEPS



1. Loosen the (2) M8-1.25 Hex Head Bolts from the ACFLSF Slipfitter mount. Align the ACFLSF Slipfitter to the FHU handle and fasten the two pieces together using the [2] Hex Head Bolts and washers.



PART NO.	DESCRIPTION	QTY	PART NO.	DESCRIPTION	QTY
1	 ACFLSF- Slipfitter Mount, Slip-fits over a 2" pole or tenon (2.375" O.D.)	1	4	 10-00046- M8-1.25 x 15 mm Hex Head Machine Bolt	2
2	 10-00047- Waterproof Cable Gland	1	5	 10-00040- Washer for M8-1.25 Bolt	2
3	 10-00028- M8-1.25 x 16 mm Socket Head Machine Bolt	2			



3. The hole on top of the Slipfitter is used to mount a waterproof cable gland. This is used to get the LED Driver Input cable from the luminaire into the slipfitter.

4. The Slipfitter should be mounted onto a hollow round 2" part with AC Power cords running inside of it. Make sure all powers are off. Follow the wiring diagram provided in order to install the luminaire to the AC Power Supply.