

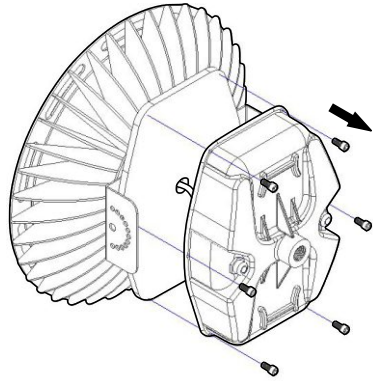
ACHUCF/M- PENDANT MOUNT ADAPTOR FOR NPT 3/4" CONDUIT, FEMALE (/MALE)

PART NO.	IMAGE	DESCRIPTION	QTY
ACHUCF		Pendant mount adaptor for NPT3/4" conduit, Female	*1
ACHUCM		Pendant mount adaptor for NPT3/4" conduit, Male	*1

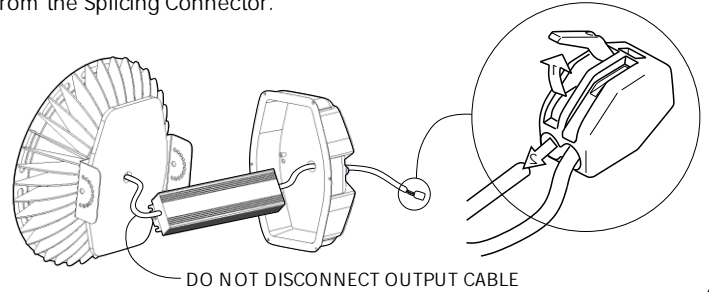
*This Installation Sheet applies to either the ACHUCF OR the ACHUCM. Not Both

INSTALLATION STEPS

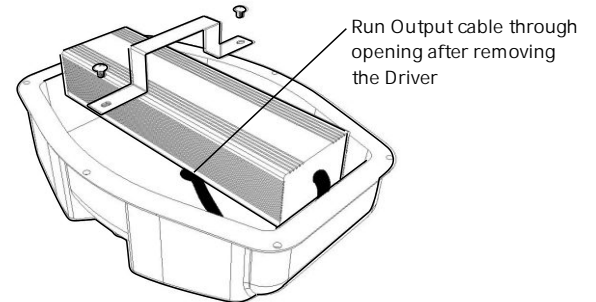
1. Using a 5mm Allen wrench, Remove the (6) M6-1.0 x 14 mm Socket Head Screws from the back of the FHU. Remove the back housing from the light fixture in order to have access to the LED Driver cables.



2. When the back housing is removed, the electrician will be able to see the LED Driver connected to the LED Board. This cable to be left alone. There should also be an Input Cable connected to the LED DRIVER connected with a Splicing Connector. Undip the wires of the LED Driver from the Splicing Connector.



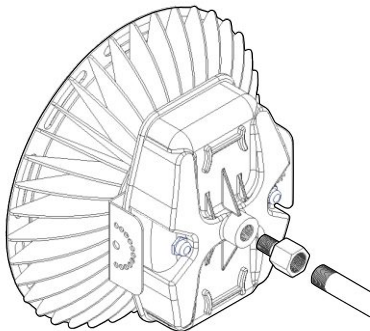
3. Using a #2 Phillips screw driver, remove the (2) M4-07 x 6 mm Low Profile Pan Head Machine screws from the LED Driver Locking Strip. This will give you access to the opening in back of the housing in order to run the cables from the LED Driver Input through the opening.



(IF CUSTOMER IS INSTALLING THE ACHUCF)

(IF CUSTOMER IS INSTALLING THE ACHUCM)

4A. Once the cable is running outside the center opening, the electrician can now screw in the ACHUCF adaptor and the cables are able to be connected to a power outlet conduit.



4B. Once the cable is running outside the center opening, the electrician can now screw in the ACHUCM adaptor and the cables are able to be connected to a power outlet conduit.

