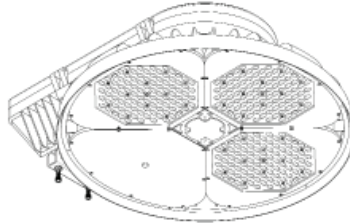
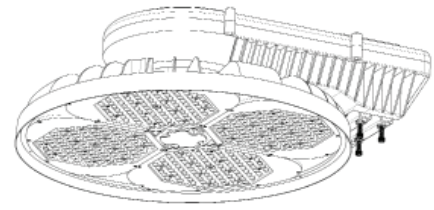


FHMA-200/300



FHMA-450/500



FHMA-600/750

IMPORTANT

READ CAREFULLY BEFORE INSTALLING FIXTURE. RETAIN THESE INSTRUCTIONS FOR FUTURE REFERENCE.

PacLights fixtures must be wired in accordance with the National Electrical Code and all applicable local codes. Proper grounding is required for safety. THIS PRODUCT MUST BE INSTALLED IN ACCORDANCE WITH THE APPLICABLE INSTALLATION CODE BY A PERSON FAMILIAR WITH THE CONSTRUCTION AND OPERATION OF THE PRODUCT AND THE HAZARDS INVOLVED.

WARNINGS:

- Make certain power is OFF before installing or maintaining fixture. No user serviceable parts inside.
- To prevent wiring damage or abrasion, do not expose wiring to edges of sharp objects.

CAUTION:

- For proper weatherproof function all gaskets must be seated properly and all screws inserted and tightened firmly. Apply weatherproof silicone sealant around the edge of the Back Box and/or Junction Box. This is especially important with an uneven wall surface. Silicone all plugs and unused conduit entries.

FHMA INITIAL SET-UP

- 1 Install the Shorting Cap on the (7 pin NEMA) Receptacle correctly. Install the Shorting Cap (provided) by carefully pressing down into the socket and twisting CW (Fig. 1). Note: If Photocell Sensor is provided see the following for instructions.

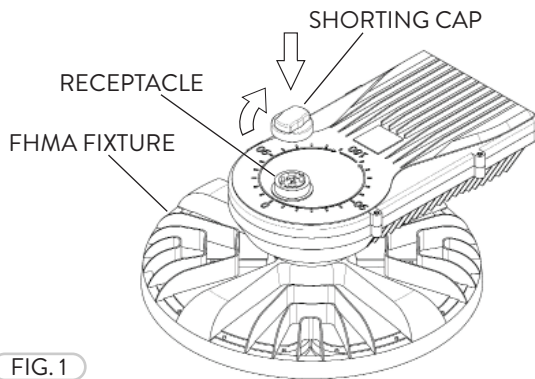


FIG. 1

OPTIONAL PHOTOCELL SENSOR

- 2 The Twist-Lock Photocell Sensor can be easily installed on all FHMA Receptacles. Install the Photocell Sensor provided by carefully pressing down into the socket and twisting CW (Fig. 2). Note: If the Photocell Sensor is not included this step can be skipped. If the Photocell Sensor is included prior to field installation the Initial Set-Up can be skipped.

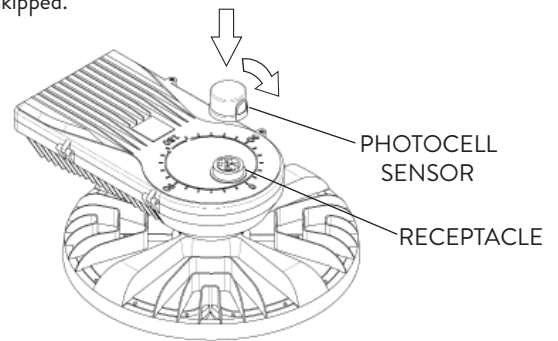


FIG. 2

WIRING DIAGRAM

Connect the ACL and the ACN from the FHMA Fixture to the conduit with the AC power Supply Cable. Follow the Wiring Diagram provided.

AC POWER SUPPLY



OPTIONAL DIMMING FUNCTION

- 1 The Optional Dimming Function is available for select models of the FHMA Series. Loosen the Driver Cover Screws (2) at the side of the Driver Box (Fig. 3).

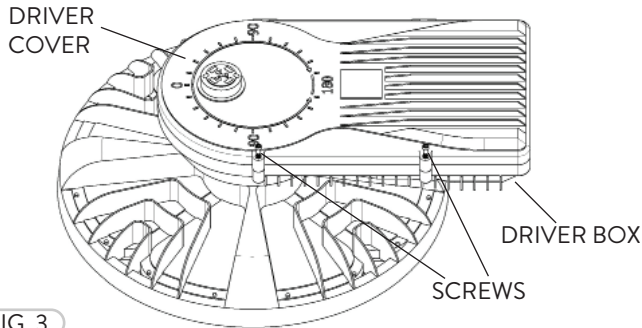


FIG. 3

- 2 Lift the Driver Cover for access inside the Driver Box (Fig. 4).

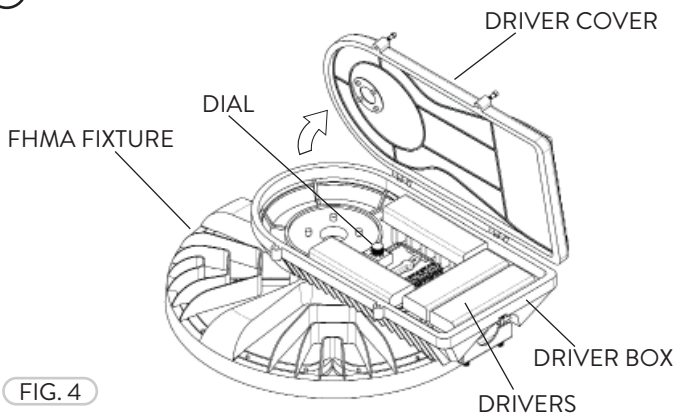


FIG. 4

- 3 The input power and light output of the FHMA fixture can be adjusted by simply turning the Dial from 1 to 8 (Fig. 5). (8 = full output, 1 is the minimum output. Output range: 25%, 40%, 50%, 60%, 70%, 80%, 90%, 100%, factory setting '8')

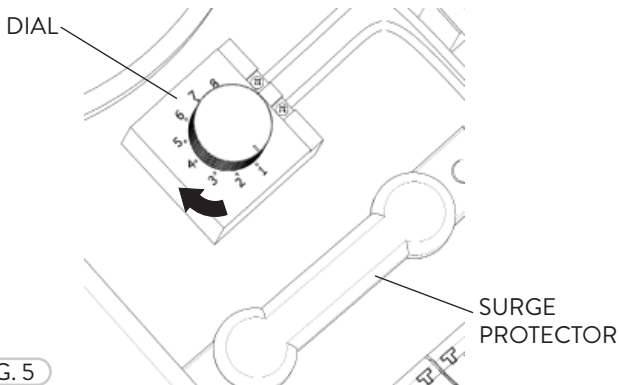


FIG. 5

ROADWAY ARM MOUNTING

- 1 The FHMA fixture can be mounted to most standard Roadway Arms. The 4-Bolt Mount Brackets supplied fits 1-1/4" to 2" nominal Pipe Arms. Loosen the bolts or remove if needed. Install the FHMA fixture onto the Pipe Arm (Fig. 6).

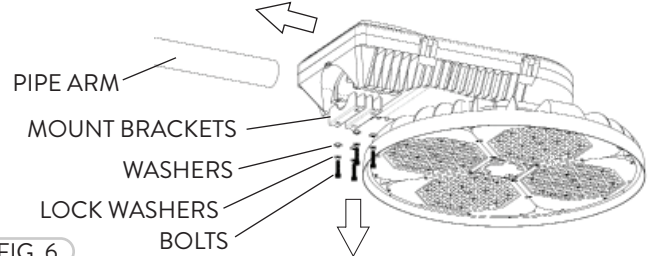


FIG. 6

- 2 The FHMA fixtures have Vertical Adjustments inside that allow the fixture to be tilted at angles up to 5°. Use the Level to install the fixture level (Fig. 7).

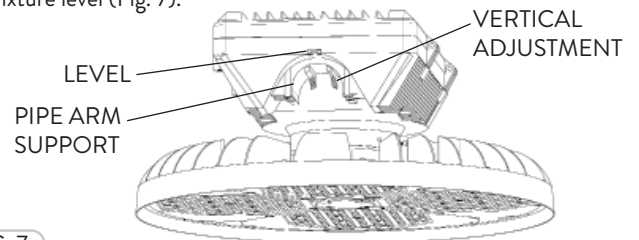


FIG. 7

- 3 With the Vertical Adjustments, set the angle, then fasten the Bolts to secure the Mount Brackets to the Pipe Arm in place to the FHMA fixture (Fig. 8).

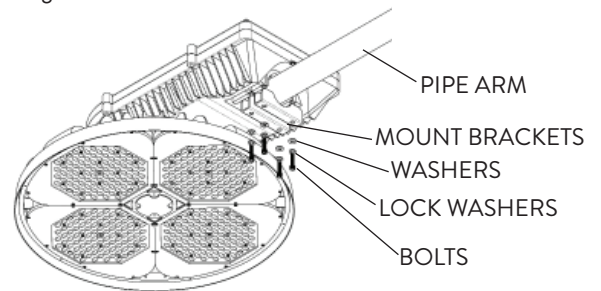


FIG. 8

- 4 The FHMA fixture in a typical setting with a Light Post and a Roadway Upsweep Arm (Fig. 9).

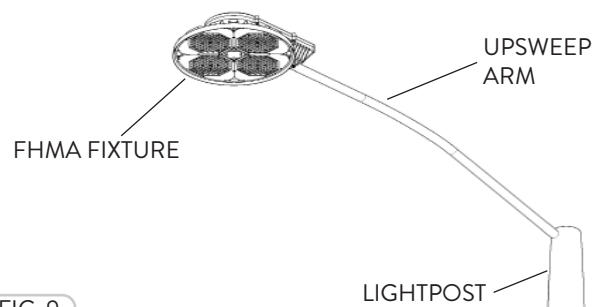


FIG. 9

MODULE PROJECTION ADJUSTMENT

- 1 The direction of the Module light projection of the FHMA fixture can be adjusted. Loosen the Screws (3) of the FHMA fixture (Fig. 10).

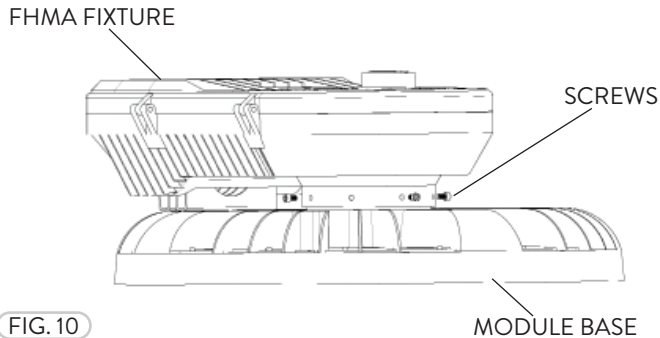


FIG. 10

- 2 The FHMA fixture can now be adjusted by rotating the Module Base (up to 165° left or right) (Fig. 11). When the desired direction is reached tighten the Screws.

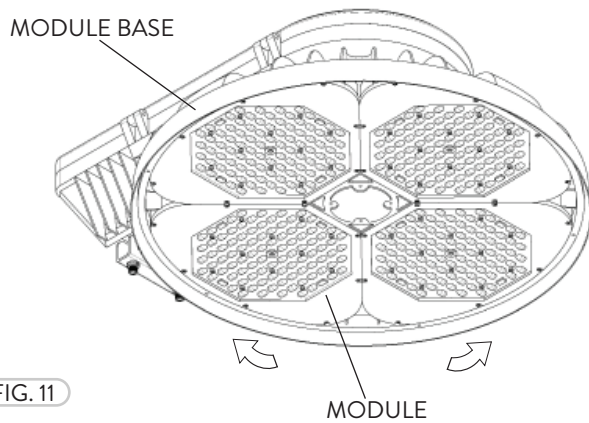


FIG. 11

OPTIONAL GLARE SHIELD

- 1 The Optional Glare Shield can help to limit light trespass. Align the Glare Shield to the holes around the inside of the Module Base and fasten with the Screws (Fig. 12).

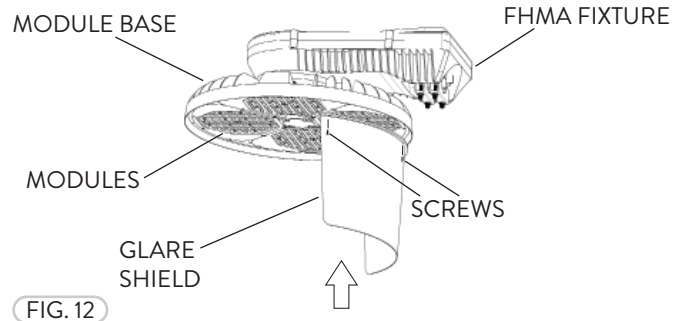


FIG. 12

- 2 The Glare Shield can be installed as needed on the fixture to limit light trespass (Fig. 13a & 13b).

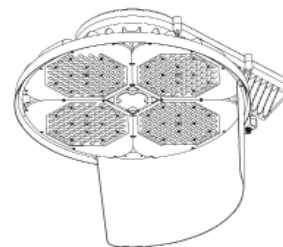


FIG. 13a

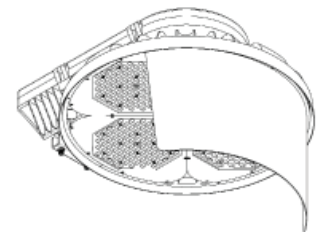


FIG. 13b