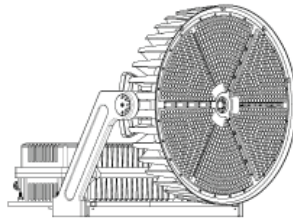
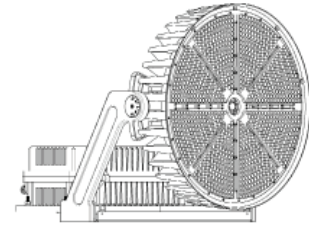


FFHS/3-400/500



FFHS/3-600/750



FFHS/3-1000/1200

### IMPORTANT

**READ CAREFULLY BEFORE INSTALLING FIXTURE. RETAIN THESE INSTRUCTIONS FOR FUTURE REFERENCE.**

PacLights fixtures must be wired in accordance with the National Electrical Code and all applicable local codes. Proper grounding is required for safety. THIS PRODUCT MUST BE INSTALLED IN ACCORDANCE WITH THE APPLICABLE INSTALLATION CODE BY A PERSON FAMILIAR WITH THE CONSTRUCTION AND OPERATION OF THE PRODUCT AND THE HAZARDS INVOLVED.

**WARNINGS:**

- Make certain power is OFF before installing or maintaining fixture. No user serviceable parts inside.
- To prevent wiring damage or abrasion, do not expose wiring to edges of sharp objects.

**CAUTION:**

- For proper weatherproof function all gaskets must be seated properly and all screws inserted and tightened firmly. Apply weatherproof silicone sealant around the edge of the Back Box and/or Junction Box. This is especially important with an uneven wall surface. Silicone all plugs and unused conduit entries.

### FFHS/3 INITIAL SET-UP

Install the Shorting Cap on the NEMA 7-pin twist-lock Control Receptacle by carefully aligning and pressing down the plug into the socket and twisting CW (Fig. 1). Note: If the Photocontrol is provided see the following for instructions.

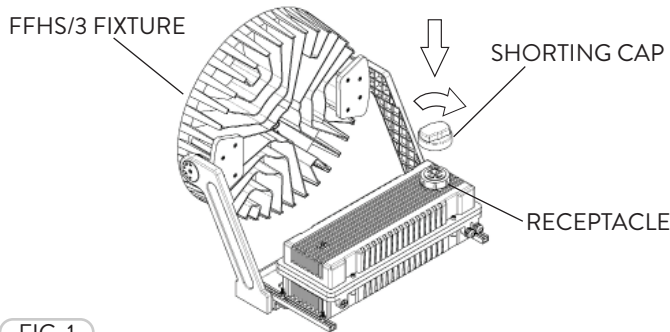


FIG. 1

### OPTIONAL PHOTOCONTROL

The Photocontrol can be installed easily on all FFHS/3 Receptacles by carefully aligning and pressing down the plug into the socket and twisting CW (Fig. 2). Note: If the Photocontrol is not included this step can be skipped. If the Photocontrol is included prior to field installation the Initial Set-Up can be skipped.

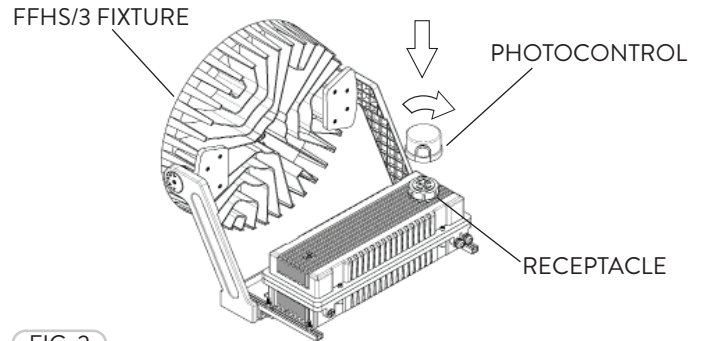


FIG. 2

### WIRING DIAGRAM

Connect the ACL and the ACN from the FFHS/3 Fixture to the conduit with the AC power Supply Cable. Follow the Wiring Diagram provided.

#### AC POWER SUPPLY



### OPTIONAL ADJUSTABLE SLIPFITTER MOUNT

- 1 The Slipfitter can be mounted easily to the FFHS/3 fixture (Fig. 3). Carefully slide the Fixture Cable through the Slipfitter and fasten the Slipfitter to the FFHS/3 fixture.

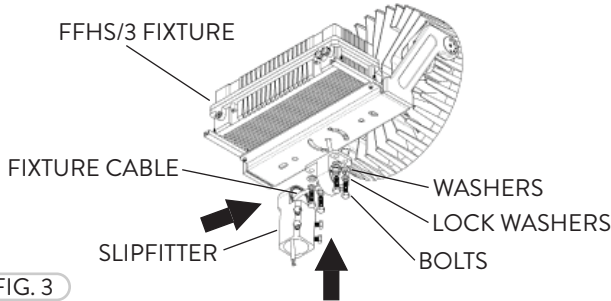


FIG. 3

- 2 The Slipfitter (inside diameter 2 3/8") can be mounted to fit 2" Nominal Round Poles. Loosen the Slipfitter Bolts or remove if needed. Attach the Power Cable to the Fixture Cable and install the FFHS/3 fixture with the Slipfitter onto the Pole (Fig. 4). Tighten the bolts to secure the Slipfitter to the Pole.

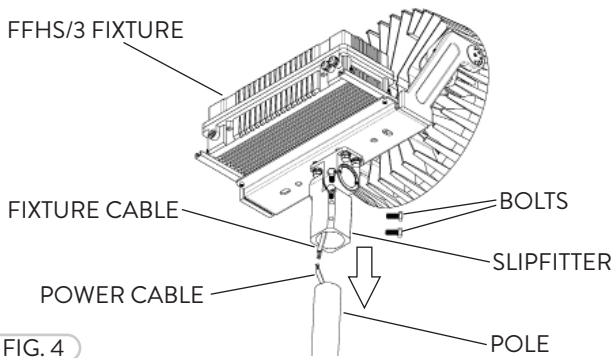


FIG. 4

- 3 The FFHS/3 fixture can be rotated by adjusting the Slipfitter angle. Loosen the Bolt or remove if necessary (Fig. 5). Set the adjustable Angle (0°-90°, up or down) on the side of the Slipfitter, then fasten the Bolt to secure the Slipfitter in place (Fig. 6).

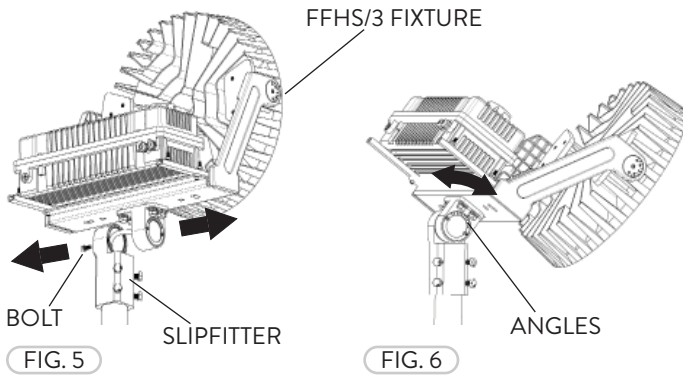


FIG. 5

FIG. 6

### ADJUSTABLE PROJECTION ANGLE

The FFHS/3 fixture has an adjustable Projection Angle located at the sides of the fixture. Loosen the Screws with a Hex wrench (Fig. 7). Rotate the Housing down (Fig. 8). Rotate the Housing up (Fig. 9).

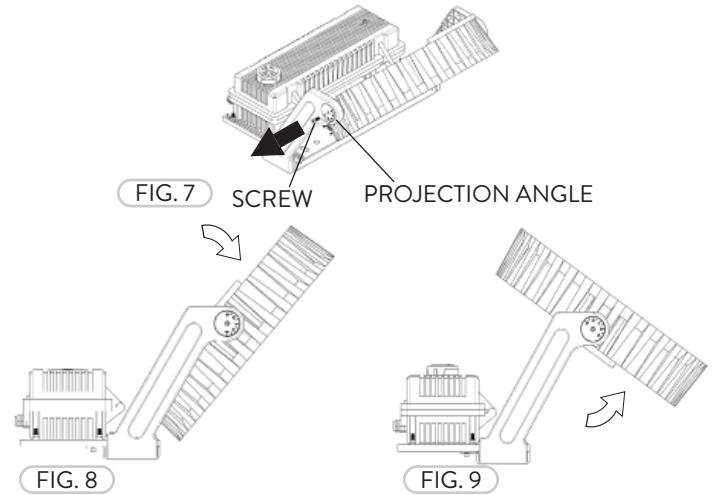


FIG. 7

FIG. 8

FIG. 9

### OPTIONAL GLARE SHIELD

The Optional Glare Shield provides a restriction for excess glare of light pollution and light trespass by the FFHS/3 fixture. Align the Glare Shield to the front of the FFHS/3 fixture holes along the rim. Fasten the Glare Shield to the fixture with the Screws (Fig. 10).

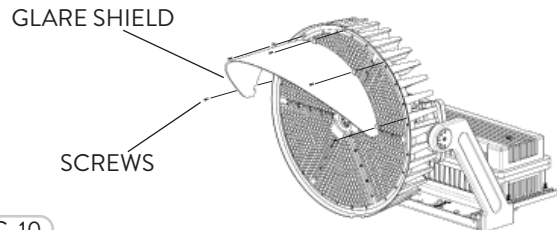


FIG. 10

### CROSSBAR MOUNT

The drilling template for the FFHS/3 Crossbar Mount is shown below for each Model (Fig. 11).

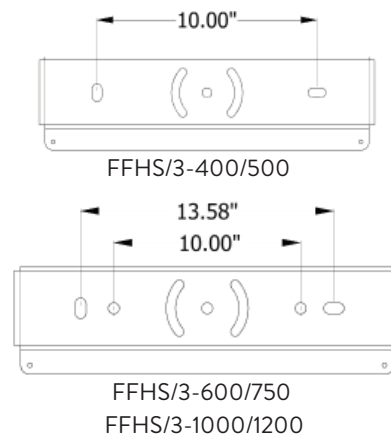


FIG. 11