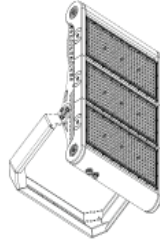
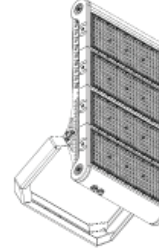


FFHL 500



FFHL 750



FFHL 1000

IMPORTANT

READ CAREFULLY BEFORE INSTALLING FIXTURE. RETAIN THESE INSTRUCTIONS FOR FUTURE REFERENCE.

PacLights fixtures must be wired in accordance with the National Electrical Code and all applicable local codes. Proper grounding is required for safety. THIS PRODUCT MUST BE INSTALLED IN ACCORDANCE WITH THE APPLICABLE INSTALLATION CODE BY A PERSON FAMILIAR WITH THE CONSTRUCTION AND OPERATION OF THE PRODUCT AND THE HAZARDS INVOLVED.

WARNINGS:

- Make certain power is OFF before installing or maintaining fixture. No user serviceable parts inside.
- To prevent wiring damage or abrasion, do not expose wiring to edges of sharp objects.

CAUTION:

- For proper weatherproof function all gaskets must be seated properly and all screws inserted and tightened firmly. Apply weatherproof silicone sealant around the edge of the Back Box and/or Junction Box. This is especially important with an uneven wall surface. Silicone all plugs and unused conduit entries.

FFHL TRUNNION MOUNT

1 The Trunnion Mount is standard for all FFHL fixtures (Fig. 1).

2 The FFHL Trunnion Mount drilling pattern (Fig. 2).

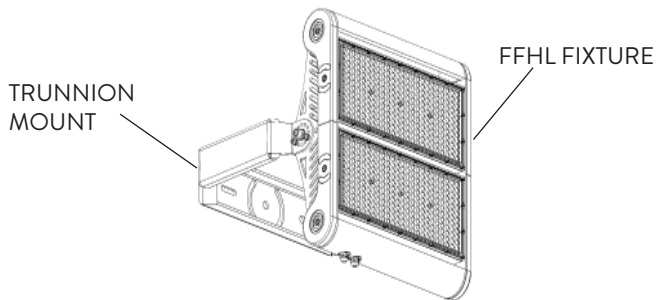


FIG. 1

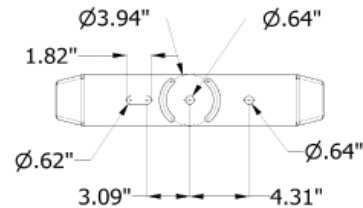


FIG. 2

WIRING DIAGRAM

Connect the ACL and the ACN from the FFHL Fixture to the conduit with the AC power Supply Cable. Follow the Wiring Diagram provided.

AC POWER SUPPLY



FFHL TRUNNION MOUNT CONTINUED

- 3 The Trunnion Mount can be mounted to a Wall/Surface. Align the Trunnion Mount to the holes pre-drilled on the mounting surface and bolt the fixture to the wall (appropriate mounting Bolts, Washers, and Nuts not included) (Fig. 3).

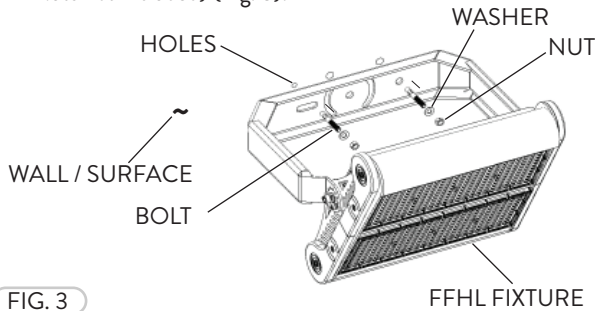


FIG. 3

- 4 The Trunnion Mount can be rotated. Loosen the center Cap Head Screws (2) and remove the small Screws, Lockwashers, and Washers at the sides of the FFHL fixture. Adjust the tilt angle of the FFHL fixture to point towards the desired location. Reinstall and tighten the Screws, Lockwashers, and Washers to hold the FFHL fixture in place (Fig. 4).

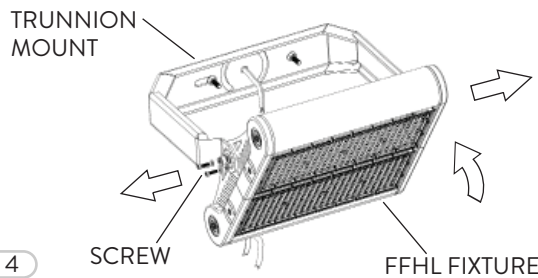


FIG. 4

FFHL SLIPFITTER MOUNT WITH FLOOD MOUNT

- 1 Before installing the Slipfitter Mount remove the Trunnion Mount by removing the all Screws, Washers, and Lockwashers from the FFHL fixture (Fig. 5).

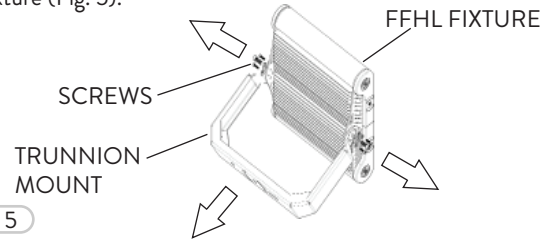


FIG. 5

- 2 Install the Fixture Mount and Flood Mount (Note: The Flood Mount has mounting holes correct for the Fixture Mount and different from the Trunnion Mount) on the FFHL fixture and fasten them together with the Screws, Washers, and Lockwashers (Fig. 6).

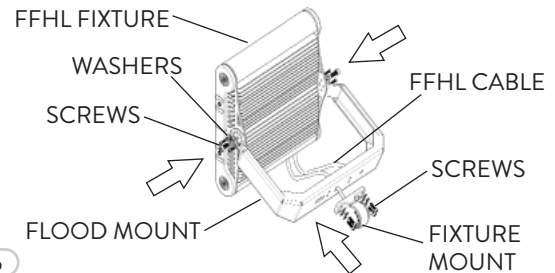


FIG. 6

- 3 Install the Slipfitter to the Fixture Mount by mating the teeth and run the Cable through. If needed to tilt the FFHL fixture simply rotate and tighten the Socket Head Screw (Fig. 7). Rotate the FFHL fixture on the Flood Mount as needed (Refer to Fig. 4).

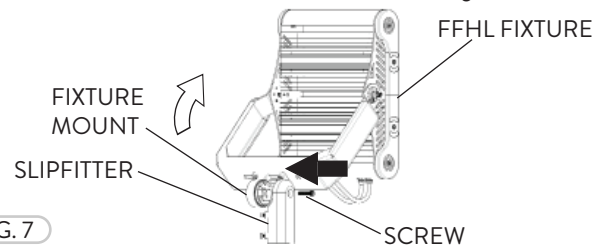


FIG. 7

- 4 The Slipfitter Mount can be mounted on a Round Pole (Ø2 3/8"). Run the FFHL Cable from the FFHL fixture and the Slipfitter Mount to the Pole and follow the Wiring Diagram provided to properly install the light fixture to the Power Supply Cable. Tighten the Slipfitter Screws (4) to secure the FFHL fixture to the Round Pole (Fig. 8).

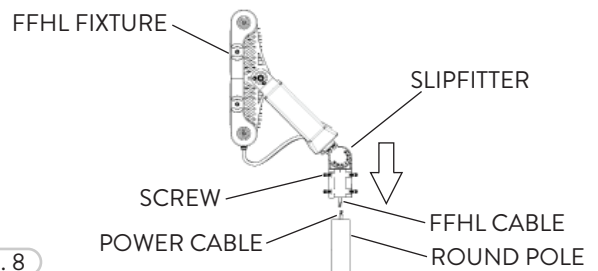


FIG. 8

FFHL ARM MOUNT WITH FLOOD MOUNT

- 1** The Arm Mount is available for all FFHL fixtures (Fig. 9). The Arm Mount can be mounted on either a Square or Round pole.

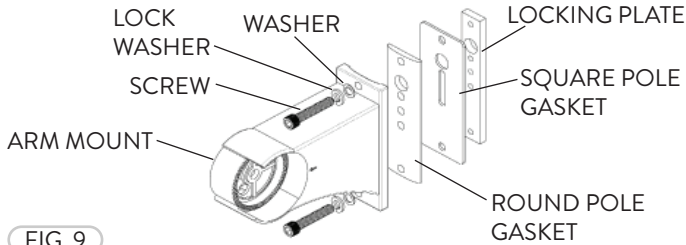


FIG. 9

- 2** The Arm Mount drilling template is for either a Square or Round pole (Fig. 10). Drill holes on the Square pole by following the Drilling Template to mount the FFHL to the desired height (Fig. 11).

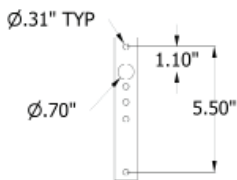


FIG. 10

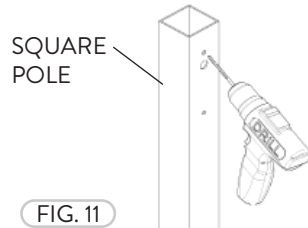


FIG. 11

- 3** If the FFHL fixture is being installed to a Square Pole, remove the Round Pole Gasket (Fig. 12).

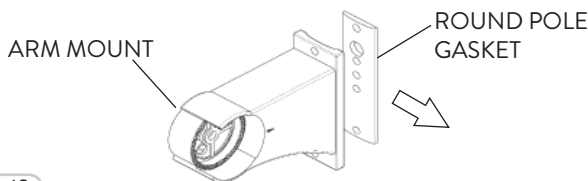


FIG. 12

- 4** Remove the Screws (4) and the Side Plate from the Arm Mount before installing the FFHL fixture (Fig. 13).

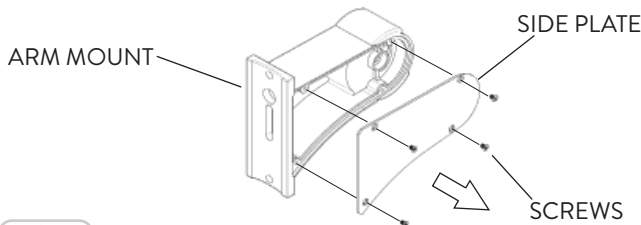


FIG. 13

- 5** Before installing the Arm Mount remove the Trunnion Mount (Refer to Fig. 5). Install the Flood Mount and the Fixture Mount (Refer to Fig. 6). Run the FFHL Cable through the inside the Arm Mount. Align the hole and teeth from the Arm Mount with the FFHL Fixture Mount and use the Cap Head Screw to fasten them together at the desired fixture tilt angle (Fig. 14). Rotate the FFHL fixture on the Flood Mount as needed (Refer to Fig. 4)

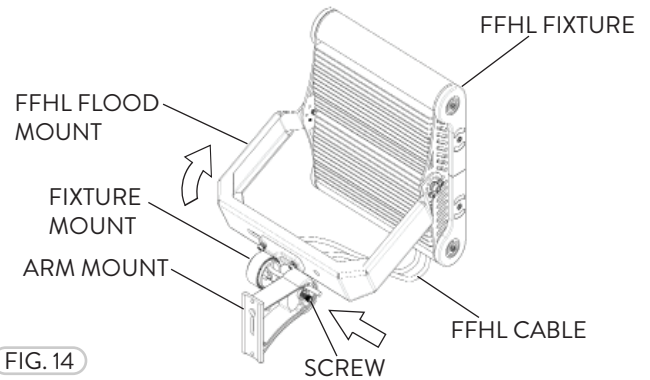


FIG. 14

- 6** Run the Power Cable through the Pole. Place the Locking Plate and Gasket inside the Mounting Pole and fasten the FFHL fixture with the Arm Mount onto the Pole with the Cap Head Screws (Fig. 15). For the Round Pole, repeat Steps 2-4, except the remove the Square Pole Gasket for Step 3. Reinstall the Side Plate (Refer to Fig. 13).

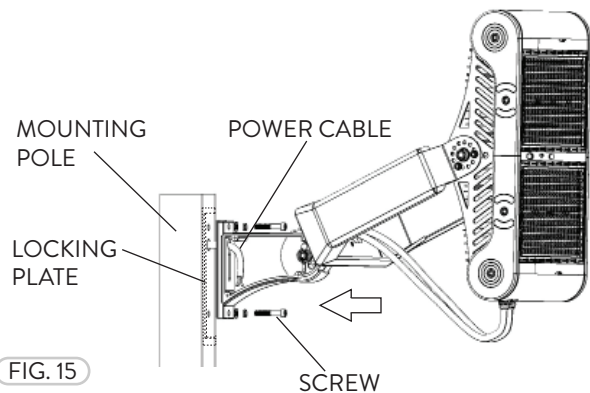
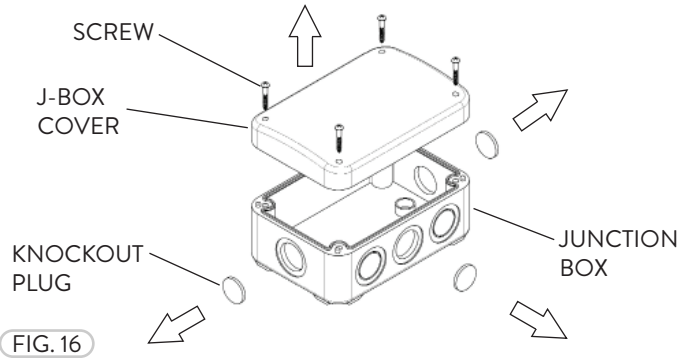


FIG. 15

FFHL PHOTOCELL CONTROL & SECONDARY SURGE PROTECTOR

- ① The Junction Box (IP65) is required for the Photocell Control and the Secondary Surge Protector. Remove the Screws (4) from the Cover of the Junction Box. Remove the Knockout Plug(s) needed to install the Photocell Control or Secondary Surge Protector (Fig. 16).



- ② Install the Cable Glands with fastener Nuts where the Knockout Plug(s) have been removed. Install the Photocell Control with a Locknut. The Secondary Surge Protector can be placed inside the J-Box (Fig. 17). All wiring must be installed by a certified electrician and must be compliant to NEC standards.

