

ACFH280SF FFH280 SLIPFITTER MOUNT

Includes: FFH 280 ONLY

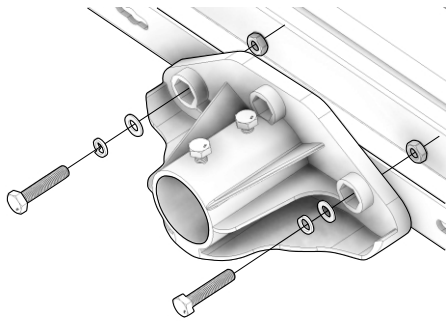
CAUTION: PLEASE FOLLOW THIS INSTRUCTION MANUAL CAREFULLY TO PREVENT ANY INJURIES OR COMPLICATIONS THAT MAY ARISE.

WARNING: Before installing or maintaining the luminary, make sure all powers are **TURNED OFF**.

Verify that supply voltage is correct by comparing it with the label information on all fixtures.

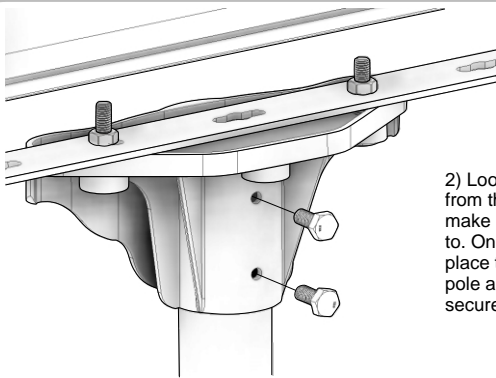
Make all connections in accordance with the NEC requirements, and make sure all luminaries are properly secured to prevent any wire complications. This luminary is to always be installed with the lens facing down and its not to exceed the maximum ambient temperature rating noted on the specification sheet.

STANDARD INSTALLATION STEPS

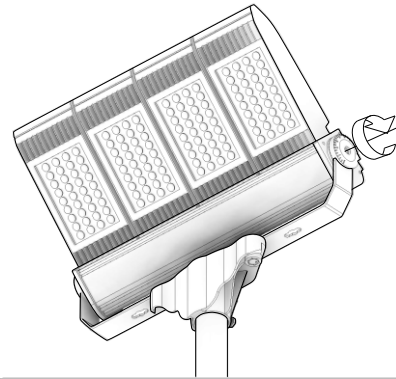


1) The ACFH280SF Slipfitter is specifically designed to withstand the weight of our FFH280. Fasten the two bolts to the trunion of the FFH280 and properly tighten the bolts to ensure the slipfitter will not be loosened up throughout time.

PART NO.	IMAGE	DESCRIPTION	QTY
AC2WPPS		Plastic Casing for the AC2WPPS1V/2V	1
10-00068/9		Hexhead bolts to fasten the FFH280 to the Slipfitter and to secure it to a pole.	2/2 4 tot
10-00073		M10 Hexnut used to fasten the ACFH280SF to the FFH280 Luminaire.	2



2) Loosen up the two bolts from the slipfitter in order to make it easier for the customer to. Once the two bolts are loose, place the slipfitter over a round pole and tighten the bolts to secure this light fixture in place.



3) Once the slipfitter is properly secured into place to the pole, the electrician can now adjust the Tilt angle of the light by loosening up the bolts on the side of the luminaire. and tilting the light to its desired Tilt. Once the tilt is as desired, tighten the two side bolts to lock its position in place.