

FCPC 095/120/150

### IMPORTANT

**READ CAREFULLY BEFORE INSTALLING FIXTURE. RETAIN THESE INSTRUCTIONS FOR FUTURE REFERENCE.**

PacLights fixtures must be wired in accordance with the National Electrical Code and all applicable local codes. Proper grounding is required for safety. THIS PRODUCT MUST BE INSTALLED IN ACCORDANCE WITH THE APPLICABLE INSTALLATION CODE BY A PERSON FAMILIAR WITH THE CONSTRUCTION AND OPERATION OF THE PRODUCT AND THE HAZARDS INVOLVED.

**WARNINGS:**

- Make certain power is OFF before installing or maintaining fixture. No user serviceable parts inside.
- To prevent wiring damage or abrasion, do not expose wiring to edges of sharp objects.

**CAUTION:**

- For proper weatherproof function all gaskets must be seated properly and all screws inserted and tightened firmly. Apply weatherproof silicone sealant around the edge of the Back Box and/or Junction Box. This is especially important with an uneven wall surface. Silicone all plugs and unused conduit entries.

## FCPC SURFACE/CEILING MOUNT

- 1 The FCPC fixture can be mounted directly to a Surface/Ceiling. Install the Safety Lanyard with a Screw near the base of the FCPC (Fig. 1). Drill the hole pattern into the Surface/Ceiling to be mounted (Fig. 2). Attached the Lanyard to the Surface/Ceiling. Properly attached the wiring. Fasten the FCPC fixture to the Surface/Ceiling (Fig. 3).

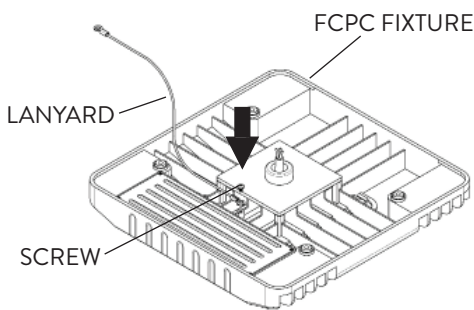


FIG. 1

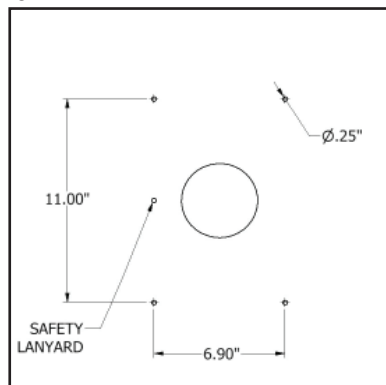


FIG. 2

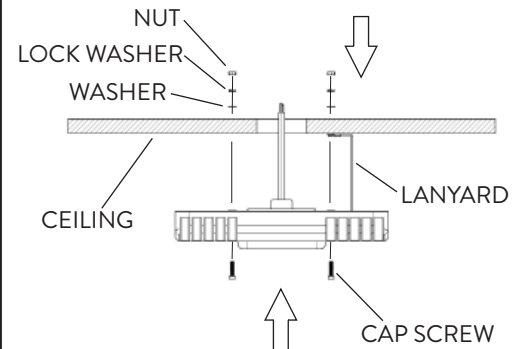


FIG. 3

## WIRING DIAGRAM

Connect the ACL and the ACN from the FCPC Fixture to the conduit with the AC power Supply Cable. Follow the Wiring Diagram provided.

### AC POWER SUPPLY



## FCPC RETROFIT 2' x 2' CANOPY KIT

- 1 The Retrofit 2' x 2' Kit is available for all FCPC fixtures and includes the Retrofit Plate, Safety Catch, Support Tabs, and fasteners (Fig. 4). The original housing of the fixture can be used. Power off and detach all related wiring. Remove the old luminaire, lens, reflector, and ballast prior to installation.

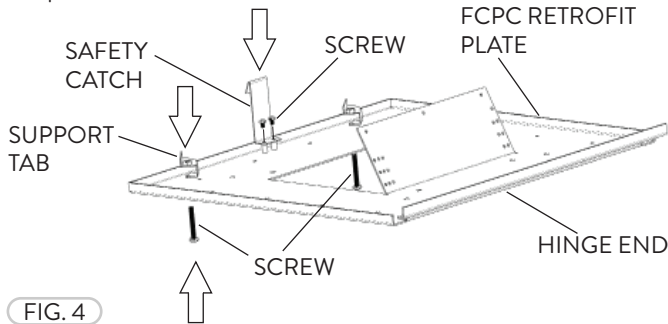


FIG. 4

- 2 Fasten the FCPC fixture to the Retrofit Plate with Cap Screws, Washers, Lock Washers, and Nuts (4). Fasten the Safety Lanyard with a Screw and Nut to the Retrofit Plate and a Screw (Screw to fixture included with fixture) to the FCPC fixture (Fig. 5).

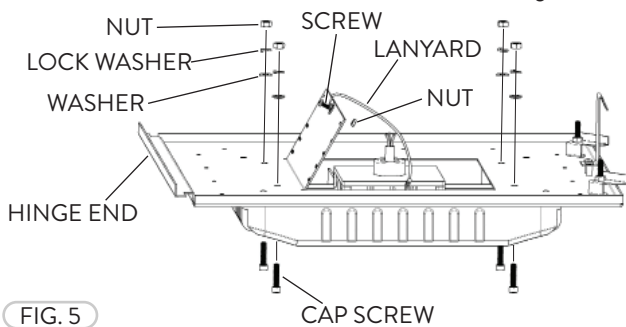


FIG. 5

- 3 Attach the Power Supply Cable wires to the FCPC fixture Cable wires. Insert FCPC fixture with Retrofit Plate Hinge End onto Housing Flange and rotate up into place (Fig. 6). Rotate the Support Tabs to rest on the Housing Flange on the opposite side and tighten the Support Tab Screws until Support Tabs pull the Retrofit Plate tight against the Housing.

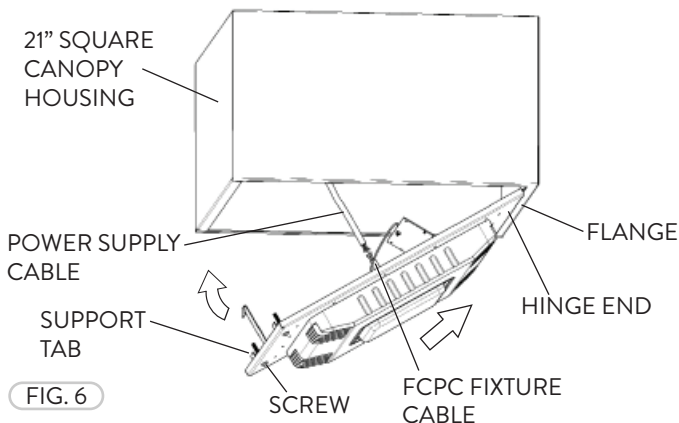


FIG. 6

- 4 For larger Canopy Housings, Flange Adapter Brackets (Two Short and Two Long) are provided. Install the Brackets onto the Housing Flanges with a rubber mallet (Fig. 7). If the Canopy Housing is 21 3/4" Square use One Short Flange Bracket and One Long Flange Bracket to form a right angle at one corner of the Housing. If the Canopy Housing is 23" Square use Two Short Flange Brackets opposite to each other and Two Long Flange Brackets opposite to each other. Note: For the Long Flange Brackets, with pliers, the tab ends can be snapped off at the slots (Fig. 8).

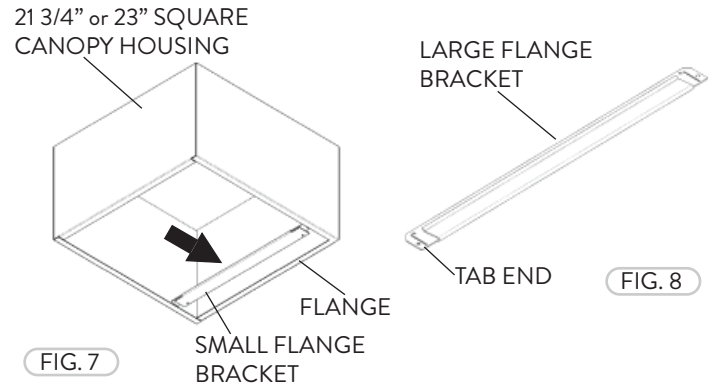


FIG. 7

FIG. 8

## FCPC 3/4" NPT PENDANT MOUNT

- 1 The Pendant Mount is available for all FCPC fixtures. Properly attach the wiring based on the Wiring Diagram (Fig. 9).

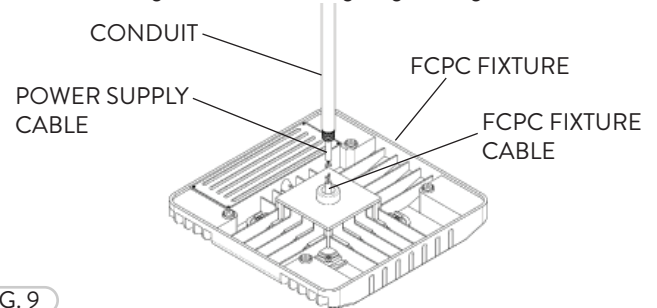


FIG. 9

- 2 The FCPC fixture can now be screwed into the 3/4" NPT Conduit (Fig. 10).

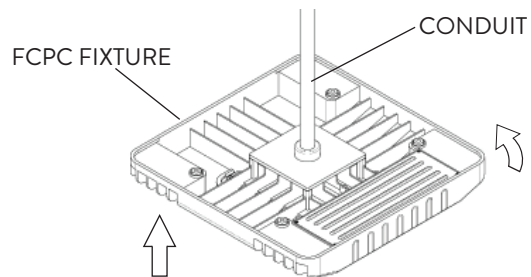


FIG. 10