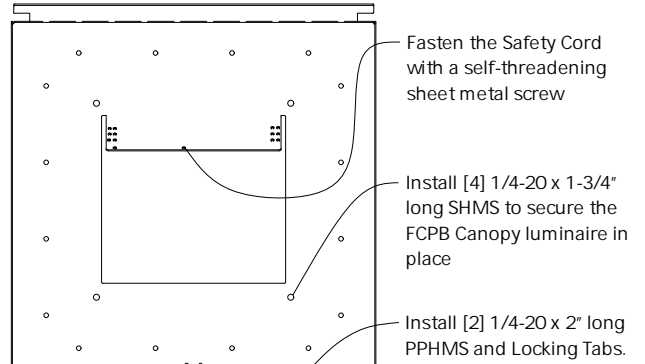
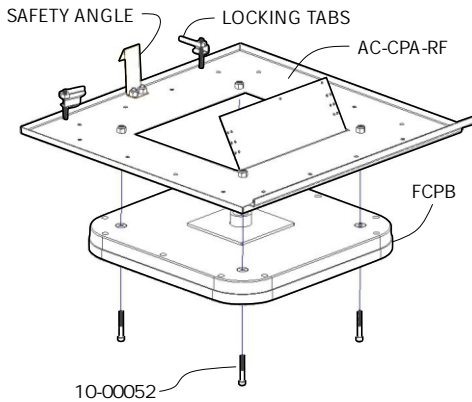


AC-CPA-RF Retrofit Kit for existing 2 X 2 Housing

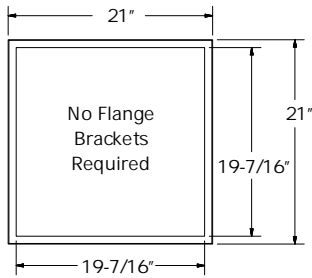
PART NO.	IMAGE	DESCRIPTION	QTY
AC-CPA-RF		AC-CPA-RF includes the Canopy Bracket, [2] Locking Tabs, [2] Bolts, [1] Safety Angle, [2] Hexnuts, [1] Safety Cord, and [1] Screw	1
10-00052		#4-28 X 2-3/8" Socket Head Machine Bolt including a lock washer and HexNut	4

CAUTION: PLEASE FOLLOW THIS INSTRUCTION MANUAL CAREFULLY TO PREVENT ANY INJURIES OR COMPLICATIONS THAT MAY ARISE.
WARNING: Before installing or maintaining the luminaire, make sure all powers are **TURNED OFF**.

1) Use the [4] 1/4-20 X 1-3/4" long Socket Head Machine screws that are provided to fasten the FCPB to the canopy bracket. Use the 4 large holes with the welded hexnuts to hold the luminaire in place.

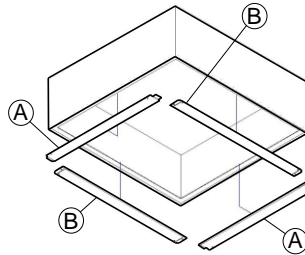


2a) Depending on the size of the canopy, one can determine if the Inner Flange Brackets are required to be installed. For a canopy with a 21" sq. dimension, the flange brackets are not required.

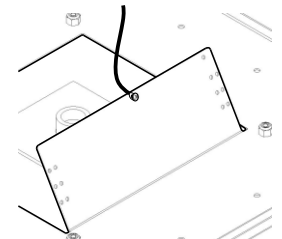


2b) If the canopy is approximately 21-3/4" sq, [1] A-Bracket and [1] B-Bracket is required.

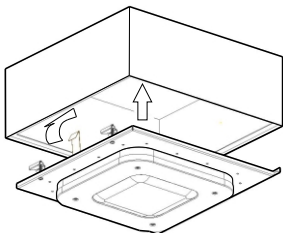
2c) If the canopy is 23" sq, [2] A-Brackets and [2] B-Brackets are required.



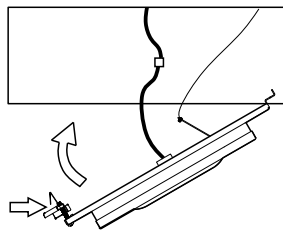
3) The angled flange has a hole on the top center to install a Safety Cable. This cable is to be installed with the canopy bracket and to a fixed surface as an extra precaution.



4) Make all the wiring installations needed to supply power to the luminaire. Please see the wiring diagram provided on the FCPB installation guide for additional wiring instructions.



5) Insert the Canopy Bracket into the Canopy. Insert the formed flanged side of the bracket first, then lift the side with the locking tabs second. The Safety Angle will have to be pushed in a bit to clear the canopy opening.



6) Using a #2 Phillips Screw Driver, tighten the 1/4-20 x 2" screws. This will secure the bracket onto the canopy.

7) The canopy light is ready to be powered up.

