

FCPA/2-150/180/240

IMPORTANT

READ CAREFULLY BEFORE INSTALLING FIXTURE. RETAIN THESE INSTRUCTIONS FOR FUTURE REFERENCE.

PacLights fixtures must be wired in accordance with the National Electrical Code and all applicable local codes. Proper grounding is required for safety. THIS PRODUCT MUST BE INSTALLED IN ACCORDANCE WITH THE APPLICABLE INSTALLATION CODE BY A PERSON FAMILIAR WITH THE CONSTRUCTION AND OPERATION OF THE PRODUCT AND THE HAZARDS INVOLVED.

WARNINGS:

- Make certain power is OFF before installing or maintaining fixture. No user serviceable parts inside.
- To prevent wiring damage or abrasion, do not expose wiring to edges of sharp objects.

CAUTION:

- For proper weatherproof function all gaskets must be seated properly and all screws inserted and tightened firmly. Apply weatherproof silicone sealant around the edge of the Back Box and/or Junction Box. This is especially important with an uneven wall surface. Silicone all plugs and unused conduit entries.

FCPA/2 SURFACE/CEILING MOUNT

The FCPA/2 fixture can be mounted directly to a Surface/Ceiling. Install the Safety Lanyard with a Screw near the base of the FCPA/2 (Fig. 1). Drill the hole pattern into the Surface/Ceiling to be mounted (Fig. 2). Fasten the Lanyard with a Screw to the Surface/Ceiling. Fasten the FCPA/2 fixture to the Surface/Ceiling with the Screws and Fasteners (Washers, Lockwashers, and Nuts). Install the Support Flange from the other side of the Ceiling and the Driver Box with the Nuts (2) on the inside and outside of the Box. Install the Conduit and follow the wiring diagram (Fig. 3).

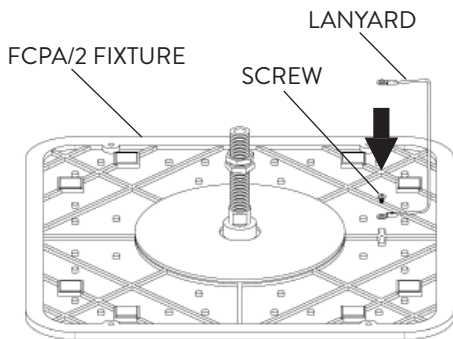


FIG. 1

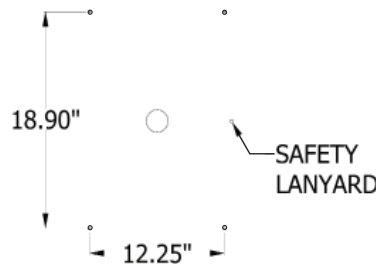


FIG. 2

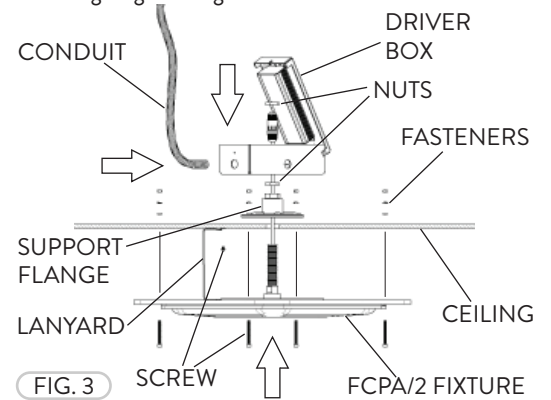


FIG. 3

WIRING DIAGRAM

Connect the ACL and the ACN from the FCPA/2 Fixture to the conduit with the AC power Supply Cable. Follow the Wiring Diagram provided.

AC POWER SUPPLY

