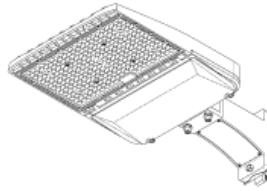
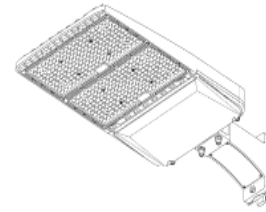


FALC/2-150



FALC/2-240



FALC/2-310

## IMPORTANT

### READ CAREFULLY BEFORE INSTALLING FIXTURE. RETAIN THESE INSTRUCTIONS FOR FUTURE REFERENCE.

PacLights fixtures must be wired in accordance with the National Electrical Code and all applicable local codes. Proper grounding is required for safety. THIS PRODUCT MUST BE INSTALLED IN ACCORDANCE WITH THE APPLICABLE INSTALLATION CODE BY A PERSON FAMILIAR WITH THE CONSTRUCTION AND OPERATION OF THE PRODUCT AND THE HAZARDS INVOLVED.

#### WARNINGS:

- Make certain power is OFF before installing or maintaining fixture. No user serviceable parts inside.
- To prevent wiring damage or abrasion, do not expose wiring to edges of sharp objects.

#### CAUTION:

- For proper weatherproof function all gaskets must be seated properly and all screws inserted and tightened firmly. Apply weatherproof silicone sealant around the edge of the Back Box and/or Junction Box. This is especially important with an uneven wall surface. Silicone all plugs and unused conduit entries.

## FIELD-ADJUSTABLE LUMEN OUTPUT/WATTAGE

① The Wattage can be adjusted with the Wattage Switch located inside of the FALC/2 fixture. The FALC/2-150 can be adjusted to 80/100/120/150W, the FALC/2-240 to 170/200/220/240W, and the FALC/2-310 to 240/260/280/310W. Remove the Driver Cover Screws (2) and open the Driver Cover to adjust the Wattage (Fig. 1).

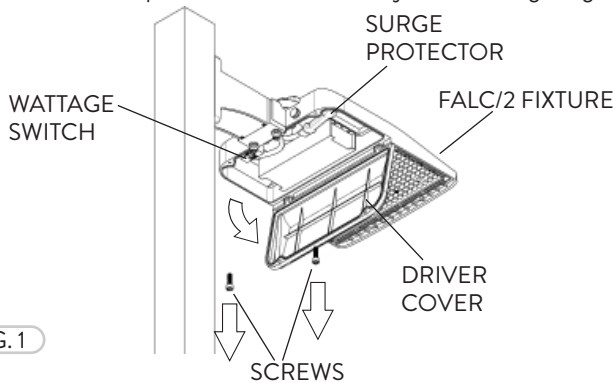


FIG. 1

② The Lumen output of the FALC/2 fixture can be adjusted simply by moving the Switch to the desired Wattage (Fig. 2).

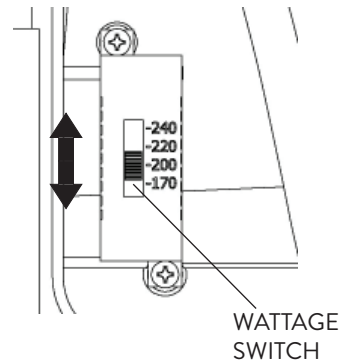


FIG. 2

## WIRING DIAGRAM

Connect the ACL and the ACN from the FALC/2 Fixture to the conduit with the AC power Supply Cable. Follow the Wiring Diagram provided.

### AC POWER SUPPLY



## FALC/2 INITIAL SET-UP

Install the Shorting Cap on the NEMA 7-pin twist-lock Receptacle by carefully aligning and pressing down the plug into the socket and twisting CW (Fig. 3). Note: If the Photocontrol is provided see the following for instructions.

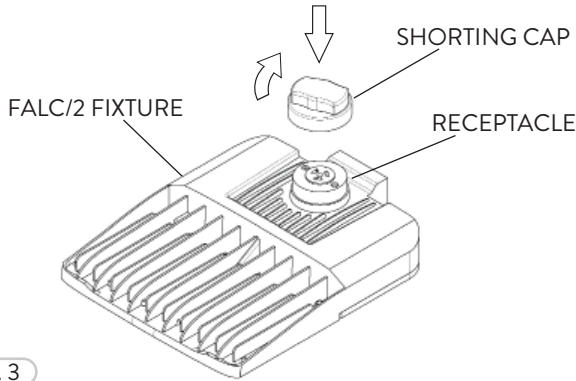


FIG. 3

## OPTIONAL PHOTOCONTROL

The Photocontrol can be installed easily on all FALC/2 Receptacles by carefully aligning and pressing down the plug into the socket and twisting CW (Fig. 4). Note: If the Photocontrol is not included this step can be skipped. If the Photocontrol is included prior to field installation the Initial Set-Up can be skipped.

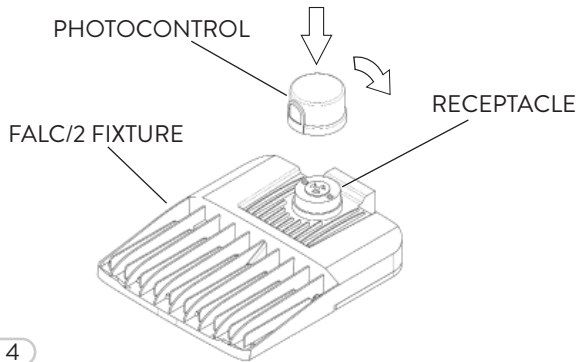


FIG. 4

## OPTIONAL SLIPFITTER MOUNT

- 1 The Slipfitter can be mounted easily to the FALC/2 fixture (Fig. 5). Carefully slide the Fixture Cable through the Slipfitter and fasten the Slipfitter to the FALC/2 fixture.

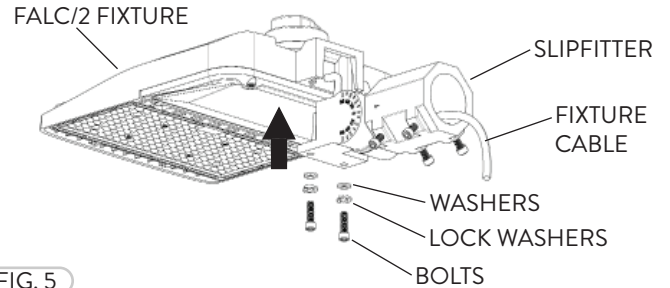


FIG. 5

- 2 The Slipfitter (inside diameter 2 3/8") can be mounted to fit 2" Nominal Round Poles. Loosen the Slipfitter Bolts or remove if needed. Attach the Power Cable to the Fixture Cable and install the FALC/2 fixture with the Slipfitter onto the Pole (Fig. 6). Tighten the bolts to secure the Slipfitter to the Pole.

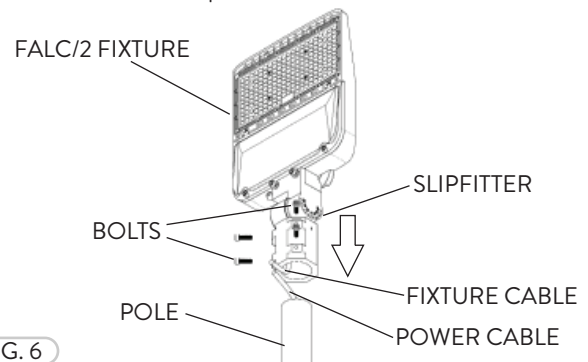


FIG. 6

- 3 The FALC/2 fixture can be rotated upward by adjusting the Slipfitter angle. Loosen the Bolt or remove if necessary. Set the Angle on the side of the Slipfitter, then fasten the Bolt to secure the Slipfitter in place (Fig. 7).

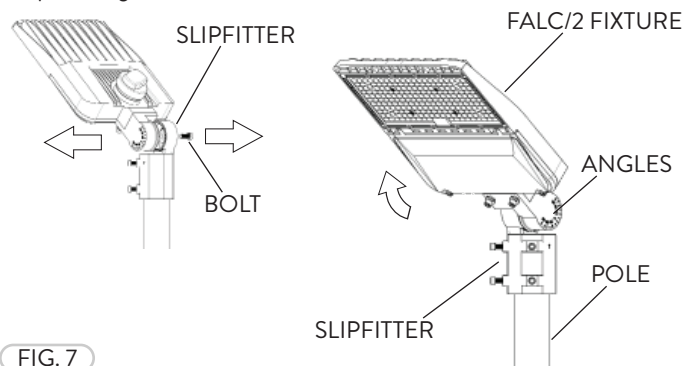
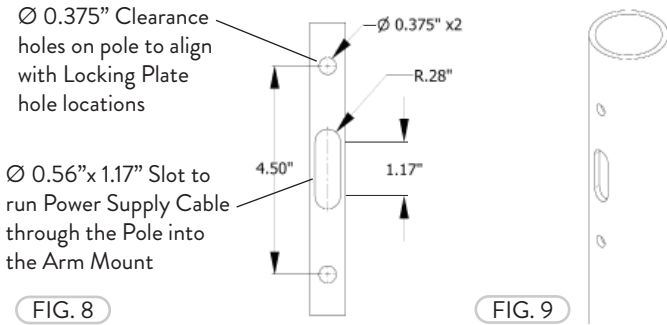


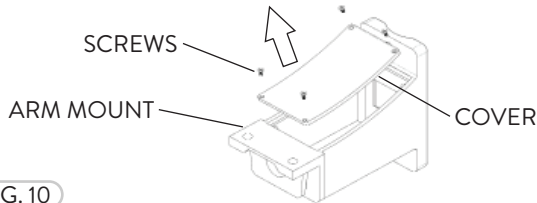
FIG. 7

## OPTIONAL ARM MOUNT

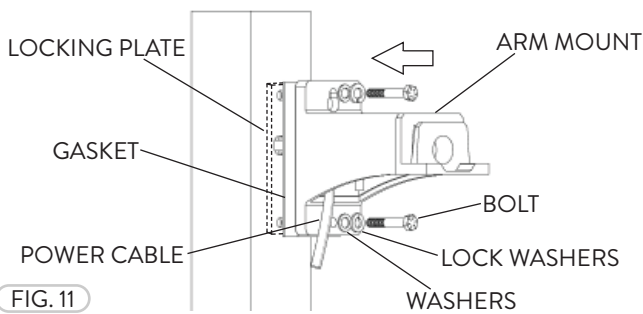
- 1 The FALC/2 Arm Mount can be used on either a Round or Square Pole. The drilling template for both the Round and Square Poles is shown below (Fig. 8). Drill holes on the Pole by following the drilling template to mount the FALC/2 to the desired height (Fig. 9).



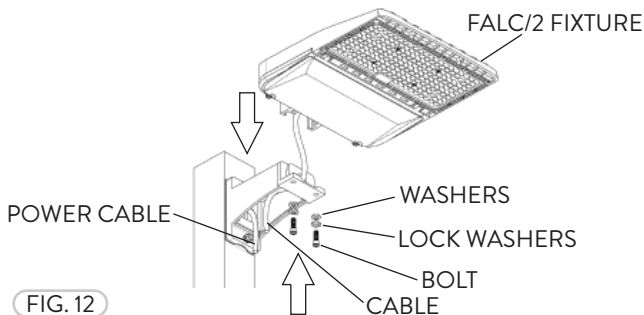
- 2 Remove the Screws and the Cover from the Arm Mount prior to installation (Fig. 10).



- 3 Install the Arm Mount to the Pole with the Gasket. Place the Locking Plate inside the Pole and carefully place the Power Cable through the Arm Mount. Fasten the Bolts and hardware (Fig. 11).

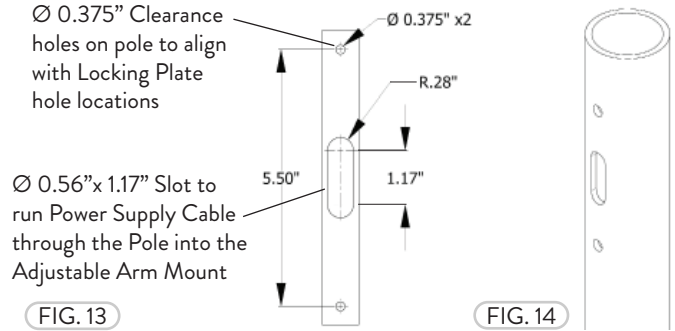


- 4 Install the FALC/2 to the Arm Mount. Attach the fixture Cable to the Power Cable (Fig. 12). Replace the Cover. Refer to Fig 10.

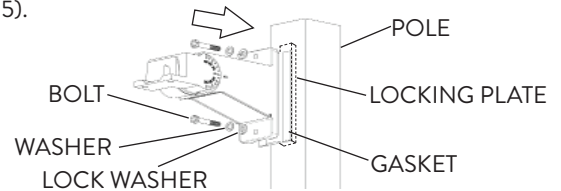


## OPTIONAL ADJUSTABLE ARM MOUNT

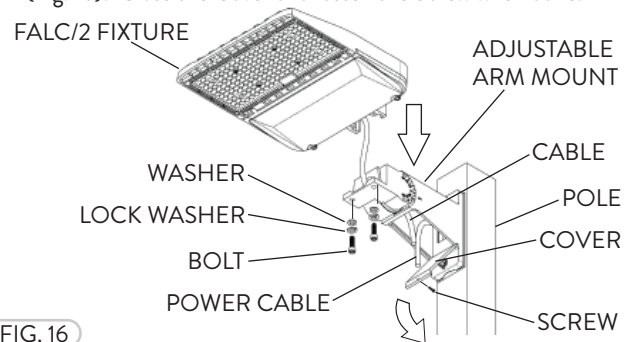
- 1 The FALC/2 Adjustable Arm Mount can be used on either a Round or Square Pole. The drilling template for both the Round and Square Poles shown below (Fig. 13). Drill holes on the Pole by following the drilling template to mount the FALC/2 to the desired height (Fig. 14).



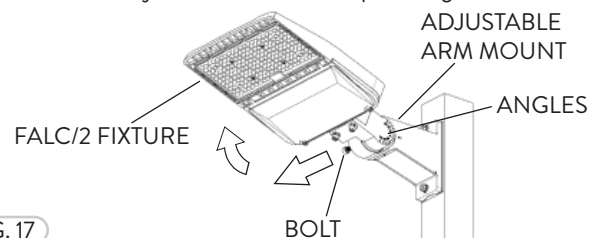
- 2 Install the Adjustable Arm Mount to the Pole with the Gasket. Place the Locking Plate inside the Pole and carefully place the Power Cable through the Adjustable Arm Mount. Fasten the Bolts and hardware (Fig. 15).



- 3 Install the FALC/2 fixture to the Adjustable Arm Mount. Open the Cover by removing the Screw. Carefully place the fixture Cable through the Adjustable Arm Mount and attach to the Power Cable (Fig. 16). Close the Cover and fasten the Screw when done.



- 4 The FALC/2 fixture can be rotated upward by adjusting the Adjustable Arm Mount angle. Loosen the Bolt or remove if necessary. Set the Angle on the side of the Adjustable Arm Mount, then fasten the Bolt to secure the Adjustable Arm Mount in place (Fig. 17).



## OPTIONAL TRUNNION MOUNT

- 1 The drilling template for the FALC/2 Trunnion Mount is shown below (Fig. 18).

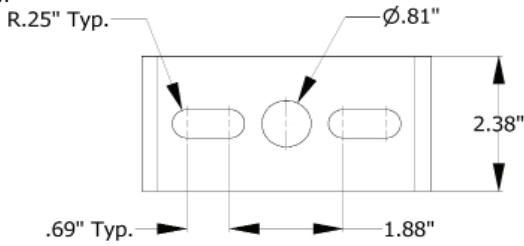


FIG. 18

- 2 Install the Trunnion Mount to the Surface/Wall while placing the Power Cable through the Trunnion Mount. Mount with the appropriate hardware (Fig. 19).

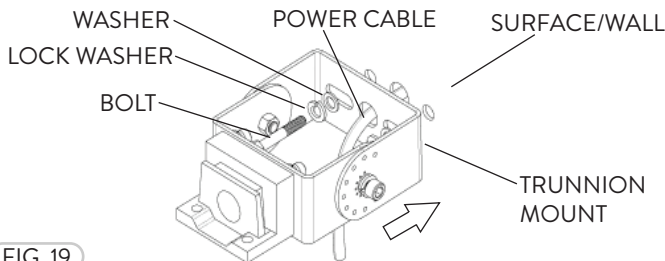


FIG. 19

- 3 Install the FALC/2 fixture to the Trunnion Mount. Slide the fixture Cable carefully through the Trunnion Mount. Attach the Fixture Cable to the Power Cable (Fig. 20).

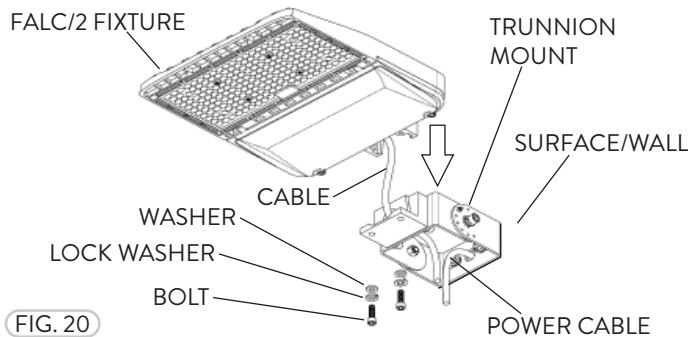


FIG. 20

- 4 The FALC/2 fixture can be rotated upward by adjusting the Trunnion Mount angle. Remove the smaller Screws and Nuts and loosen larger ones at each side. Rotate to set the angle, then fasten the all the Screws and Nuts to secure the Trunnion Mount in place (Fig. 21).

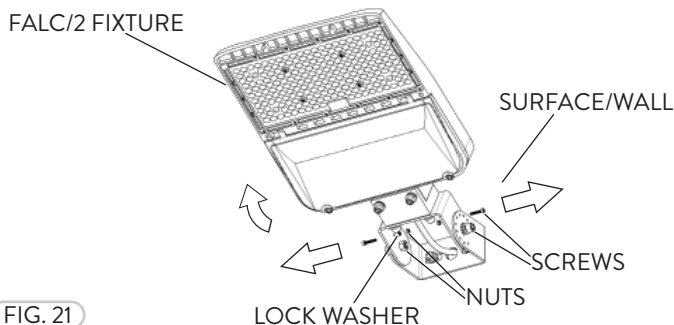


FIG. 21

## OPTIONAL HALF GLARE SHIELD

The FALC/2 Half Glare Shield can help to limit light trespass. Align the Half Glare Shield to the holes near the FALC/2 Lens Base and fasten with the Screws (Fig. 22).

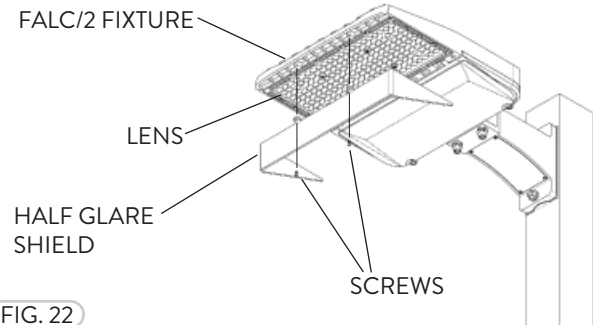


FIG. 22

## OPTIONAL FULL GLARE SHIELD

The FALC/2 Full Glare Shield can help to limit light trespass. Align the Full Glare Shield to the holes near the FALC/2 Lens Base and fasten with the Screws (Fig. 23).

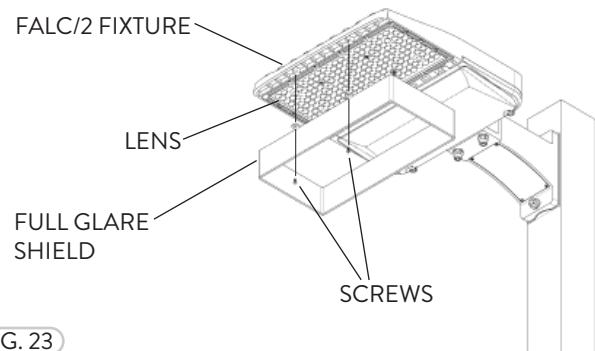


FIG. 23