

AC-ALB-PL1 Photocell Assembly

Includes: FALB080, FALB100, FALB120, FALB150



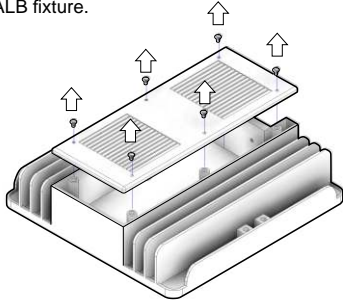
CAUTION: PLEASE FOLLOW THIS INSTRUCTION MANUAL CAREFULLY TO PREVENT ANY INJURIES OR COMPLICATIONS THAT MAY ARISE.

WARNING: Before installing or maintaining the luminary, make sure all powers are **TURNED OFF**.

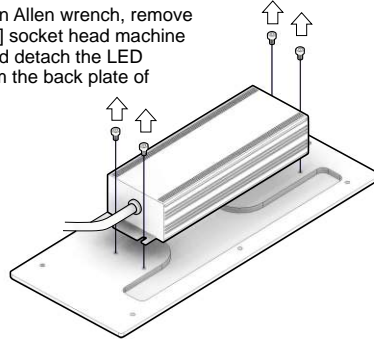
Verify that supply voltage is correct by comparing it with the label information on all fixtures.

Make all connections in accordance with the NEC requirements, and make sure all luminaries are properly secured to prevent any wire complications. This luminary is to always be installed with the lens facing down and its not to exceed the maximum ambient temperature rating noted on the specification sheet.

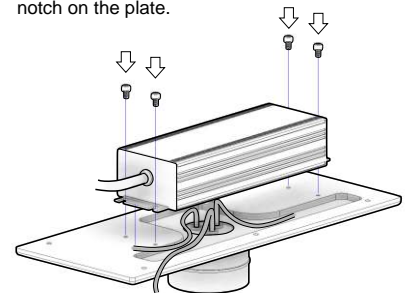
1. Using a Phillips Screw driver, remove the six [6] pan head machine screws from the back side of the FALB fixture.



2. Using an Allen wrench, remove the four [4] socket head machine screws and detach the LED Driver from the back plate of the FALB.

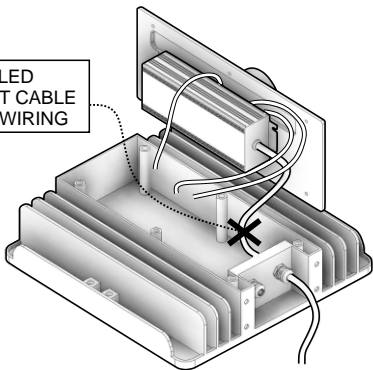


3. Fasten the LED Driver onto the AC-ALB-PL1 Back plate. Run the photocell cables through notch on the plate.



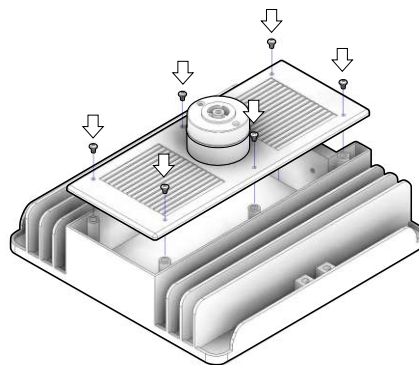
4. Cut and splice the LED Driver Input cable and follow the Wiring Diagram to complete all the wire connections needed. Make all connections inside the back box of the FALB and must be compliant to NEC standard. All connections must be made by a qualified electrician.

CUT LED INPUT CABLE FOR WIRING

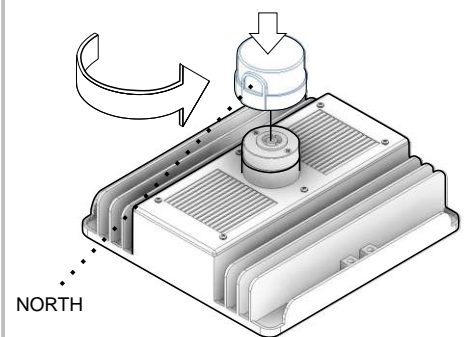


5. Once all wiring is properly installed, Fasten the AC-ALB-PL1 Back Plate to the FALB fixture with the same pan head machine screws removed in Step 1.

IMPORTANT: Try to get the arrow on the receptacle to point NORTH as accurate as possible.



6. Insert the 3-Prong Photocell into the receptacle and twist to lock. Once again, it is important to get opening photocell to point NORTH as accurate as possible.



WIRING DIAGRAM

The LED Driver input cable consists of 3 conductors: ACL (black), ACN (white), and ground (green).

These conductors are to be connected to a Power Supply Cable.

(For Dimmable Fixtures)
The Dimming cable consists of 2 conductors:
DIM+ (Blue/ Brown+Gray),
DIM- (White/ Blue+ Black)

