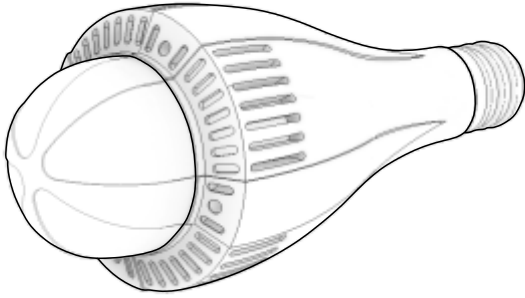


Includes: BX500NW, BX500WW

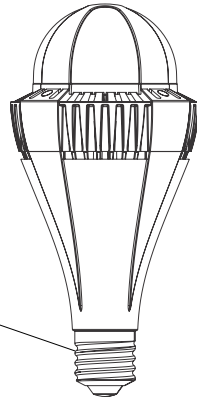


CAUTION: PLEASE FOLLOW THIS INSTRUCTION MANUAL CAREFULLY TO PREVENT ANY INJURIES OR COMPLICATIONS THAT MAY ARISE.
WARNING: Before installing or maintaining the luminary, make sure all powers are **TURNED OFF**.
 Verify that supply voltage is correct by comparing it with the label information on all fixtures.
 Make all connections in accordance with the NEC requirements, and make sure all luminaries are properly secured to prevent any wire complications. This luminary is to always be installed with the lens facing down and its not to exceed the maximum ambient temperature rating noted on the specification sheet.

The BX LED Light Bulb is able to retrofit many different fixtures to replace traditional MH/CFL bulbs.

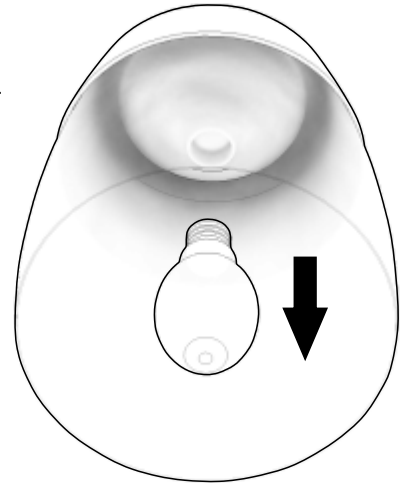
In this installation guide, a simple high bay will be used as demonstration. This bulb comes with a E39 Mogul Base

E39 Mogul Base

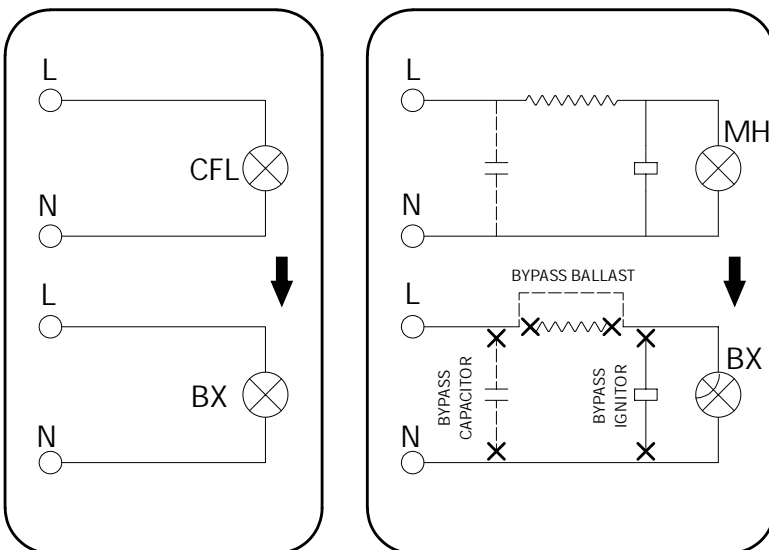


1) This **MUST** be installed by a qualified electrician.

2) Unscrew the fasteners from the housing and unscrew the original lightbulb that is installed. If the housing also has a reflector, remove the reflector if necessary.



3) Make sure to bypass the Ballast (along with the Ignitor and capacitor) before installing the BU LED bulb.



4) Once the proper wiring modifications are made, the BX LED Bulb can be screwed in to the socket.

