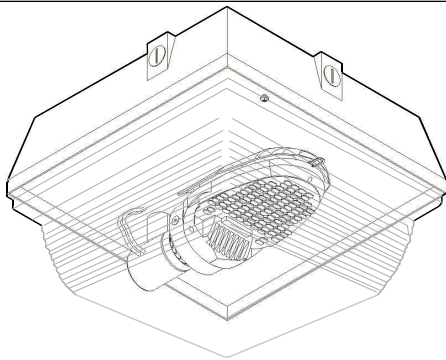


Includes: BH 027, BH 036, BH 054, BH 075, BH 095, BH 115

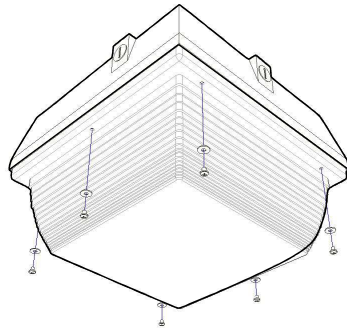


CAUTION: PLEASE FOLLOW THIS INSTRUCTION MANUAL CAREFULLY TO PREVENT ANY INJURIES OR COMPLICATIONS THAT MAY ARISE.
WARNING: Before installing or maintaining the luminary, make sure all powers are **TURNED OFF**.
 Verify that supply voltage is correct by comparing it with the label information on all fixtures.
 Make all connections in accordance with the NEC requirements, and make sure all luminaries are properly secured to prevent any wire complications. This luminary is to always be installed with the lens facing down and its not to exceed the maximum ambient temperature rating noted on the specification sheet.

The BH LED Light Bulb is able to retrofit many different fixtures to replace traditional lamps.

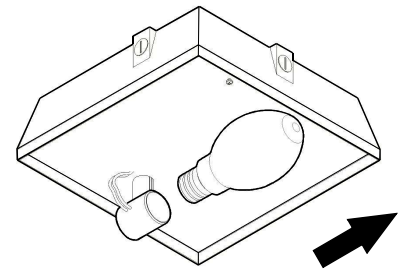
For Example:
 Parking lot lights, shoe boxes, street lights, flood lights, wall packs, or canopy lights.

In this installation guide, a canopy Light will be used as demonstration.

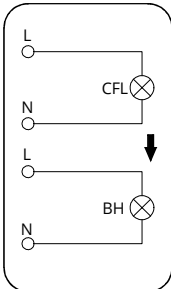


Please check Paclights website for more installation sheets for the BH Series.

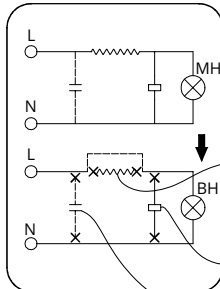
- 1) This **MUST** be installed by a qualified electrician.
- 2) Unscrew the fasteners from the housing and unscrew the original lightbulb that is installed. If the housing also has a reflector, remove the reflector as well.



(To Replace CFL)



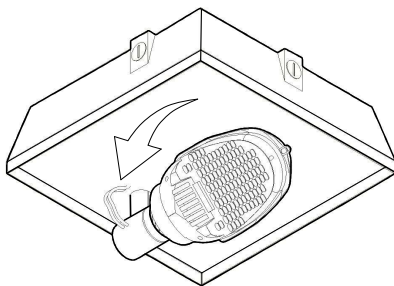
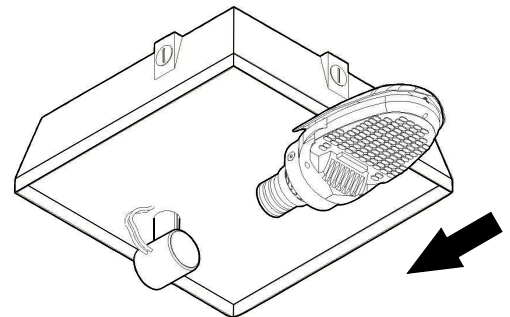
(To Replace MH)



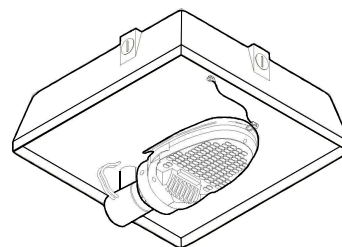
3) Make sure to take off the Ballast (along with the Ignitor and capacitor) before installing the BH LED bulb, otherwise the ballast will produce the resonance of high voltage and eventually make the BH Light bulb fail.

BYPASS BALLAST
 BYPASS IGNITOR
 BYPASS CAPACITOR

4) Once the proper wiring modifications are made, the BH LED Bulb can be screwed in to the socket.



5) After the base has been properly screwed into place, if the orientation of the bulb is not facing down, its housing is able to rotate to the appropriate orientation while the lamp base stays intact.



6) As an extra safety precaution, The 75W-115W BH Series comes with a small round clip attached to the front tip of the bulb. This clip can be used to install a Security cable. Clip the Security cable to the small clip and fix the other end to the fixture base frame. This method can also be used to prevent the lamp from slanting downward for its own weight.