



Lighting  
Catalog

Outdoor  
Retrofits  
Indoor  
Controls

## About PacLights

Founded in 2013, PacLights is one of the Fastest Growing Commercial and Industrial Lighting Manufacturer. Our products are engineered to save energy and promote environmental friendliness in our customers' facilities. Embracing the leading LED's solid state technology as the illumination source, PacLights offers affordable, high efficiency, energy savings, eco-friendly and long life advanced LED Lighting Solutions for every Commercial or Industrial Lighting Application, We focus on Quality and stand behind our products to ensure the ultimate in customer satisfaction.

Being trusted by Fortune 500 companies, PacLights lighting products can be found in buildings and facilities of Google, Cisco and Amazon.



PacLights Head Offices  
Chino, CA



## U.S based LED Lighting Manufacturer

PacLights is a U.S based Lighting Manufacturer with its headquarters in Chino, CA, including management, sales, operation, engineering offices, and center of distribution & manufacturing. PacLights also operates a distribution and manufacturing facility in Cincinnati, OH.

Being one of those businesses that create jobs across the country, PacLights is proud to, and will continue to create more and more employment opportunities.



PacLights LED PCB manufacturing facility  
Chino, CA



**FALB series**  
page 1

**Compact, and Affordable.**

10,100 - 37,400 Lumen  
80 - 300w LED  
Efficacy up to 130 LPW  
Arm, slipfitter and trunnion mount

**Style, and Solid Performance.**

10,300 - 40,800 Lumen  
80 - 300w LED  
Efficacy up to 137 LPW  
7-Pin Twist-lock Receptacle  
Secondary Surge Protector  
Arm, slipfitter and trunnion mount



**FALC series**  
page 2



**Simple, and Efficient.**

3,955 - 10,125 Lumen  
35 / 55 / 75w LED  
CCT field-adjustable  
Efficacy up to 138 LPW  
Tenon and pole top mount

**FPTA series**  
page 3



Area  
Lights

Roadway  
Lights

**Long Life, Low Maintenance.**

4,000 - 19,000 Lumen  
30 - 165w LED  
Efficacy up to 134 LPW  
7-Pin Twist-lock Receptacle  
Secondary Surge Protector  
Self-clean housing, invisible heat-sink

**FSTA series**  
page 4



**Economy, No Compromise.**

1,900 - 7,000 Lumen  
15, 30, 50w LED  
Efficacy up to 135 LPW  
Knuckle, flood and trunnion mount

**FFLA series**  
page 5



**FALB series**  
page 1

**Compact, and Affordable.**

10,100 - 37,400 Lumen  
80 - 300w LED  
Efficacy up to 130 LPW  
Flood and trunnion mount



**Ultra, Powerful Output.**

51,000 - 135,000 Lumen  
400 - 1,000w LED  
Efficacy up to 136 LPW  
Glare shield available  
Trunnion and slipfitter mount

**FFHP series**  
page 6

Flood  
Lights





**FCPG series**  
page 7

**Low Profile, High Output.**

5,300 - 13,300 Lumen  
40 - 100w LED  
Efficacy up to 133 LPW  
Surface, conduit or suspended mount

# Garage Lights



**Light, the Way You Need.**

3,200 - 13,400 Lumen  
25 - 120w LED  
Efficacy up to 132 LPW  
Rotatable Module(s)

**FWPR series**  
page 8

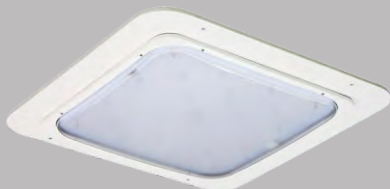
**FWPT series**  
page 9

**Affordable LED in  
A Traditional Look.**

4,300 - 15,500 Lumen  
35 - 120w LED  
Efficacy up to 130 LPW



# Wall Pack Lights



**FCPA series**  
page 10

**Ultra Slim, Ultra Powerful.**

19,600 - 32,000 Lumen  
150 - 240w LED  
Efficacy up to 138 LPW  
Surface mount or Retrofit 2x2

**Low Profile, High Savings.**

14,800 Lumen  
130w LED  
Efficacy up to 114 LPW  
Surface mount or Retrofit 2x2

**FCPB series**  
page 11



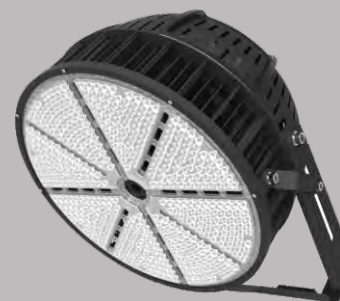
# Canopy Lights

# Highmast Sports Lights

**FFHS series**  
page 12

**Reliability, You Can Trust.**

53,000 - 166,000 Lumen  
400 - 1,200w LED  
Efficacy up to 147 LPW  
Secondary Surge Protector  
Trunnion and slipfitter mount



**FJAR series**  
page 13

**Cutting Edge LED  
in A Classic Design.**

1,200 Lumen  
14w LED  
Efficacy up to 85 LPW  
IP 66 Rated  
Wall or Ceiling mount

# Vapor Proof Lights





**FLHA series**  
page 14

**Economical Choose.**

11,700 - 42,000 Lumen  
90 - 321w LED  
Efficacy up to 130 LPW

**Maximize Energy Saving.**

14,700 - 56,000 Lumen  
110 - 420w LED  
Efficacy up to 135 LPW  
Bi-level Occupancy Sensor



**FLHS series**  
page 15



**Solid Performance,  
Solid Energy Saving.**

7,000 - 40,000 Lumen  
60 - 250w LED  
Efficacy up to 155 LPW  
Bi-level Occupancy Sensor  
Hook, Trunnion and Conduit mount

**FHUS series**  
page 16



**FHW series**  
page 17

**Ultra Output,  
Like No Other**

43,000 - 69,000 Lumen  
300 - 480w LED  
Efficacy up to 140 LPW



**Compact, and Affordable**

13,000 - 21,000 Lumen  
100 - 150w LED  
Efficacy up to 137 LPW

**FHUE series**  
page 18

**FHUP series**  
page 19

**High Ambient,  
No Sweat.**

13,900 - 32,000 Lumen  
100 - 240w LED  
Efficacy up to 138 LPW  
Ambient Temp up to 122° F



**Design Matters.**

20,700 - 28,200 Lumen  
150 / 200w LED  
Efficacy up to 141 LPW  
Hook or Conduit mount

**XHB series**  
page 20



**Highbay  
Lights**

**One Switch.  
Three Colors.**

3,250 - 5,980 Lumen  
20 - 46w LED  
CCT field-adjustable  
Efficacy up to 130 LPW  
2ft, 4ft and can be extended to 8ft

**FSLA series**  
page 21



**Linear Strip  
Lights**



**Seal Out Moisture and Dust.**

4,680 - 26,000 Lumen  
36 - 200w LED  
Efficacy up to 130 LPW  
IP 66, IK 10 Rated  
Available in 4ft and 8ft  
NSF Certified

**FVTA series**  
page 22

# VaporTight Washdown Lights



**FPNB series**  
page 23



**One Model,  
Nine Possibilities.**

3,200 - 6,600 Lumen  
25 - 50w LED  
Efficacy up to 125 LPW  
3 Wattages and 3 CCTs Field-adjustable  
Available in 2x2, 2x4, 1x4

**The Power is in Your Hands.**

2,750 - 6,125 Lumen  
22 - 49w LED  
Efficacy up to 125 LPW  
4 Wattages and 3 CCTs Field-adjustable  
Available in 2x2, 2x4, 1x4  
Optional Daylight Harvesting

**FTFS series**  
page 24



# Panel & Troffer Lights

**The Premium Choose.**

3,500 - 5,800 Lumen  
30 - 46w LED  
CCT field-adjustable  
Efficacy up to 130 LPW

**FTFB series**  
page 25





**Puts Light Only  
Where You Need it.**

3,000 - 13,000 Lumen  
27 - 115w LED  
Efficacy up to 120 LPW  
Rotatable E26 Medium or E39 Mogul Base

**BH series**  
page 26

# Horizontal



**Fits in  
Where Others Can't.**

2,890 - 5,285 Lumen  
30 - 50w LED  
Efficacy up to 113 LPW  
Compact Design  
E26 Medium Base

**BU series**  
page 27

**XHB series**  
page 20

**Powerful Highbay Retrofit.**

20,700 - 28,200 Lumen  
150 - 200w LED  
Efficacy up to 141 LPW  
E39 Mogul Base



# Vertical

# Universal

**Simple, and Efficient.**

Up to 15,500 Lumen  
15 - 125w LED  
Efficacy up to 144 LPW  
E26 Medium or E39 Mogul Base

**BW series**  
page 28



**RKLN series**  
page 29

**Retrofit Fluorescent  
Fixture in Minutes.**

2,250 - 7,050 Lumen  
20 - 50w LED  
Efficacy up to 140 LPW  
Magnetic Easy Installation

# Linear





- Efficacy: up to 131 LPW
- Lumen Output: 10,100 - 37,300 L
- Wattage: 80 - 300 W

The FALB Series Area Light is a high performance LED lighting fixture comes with compact design and reasonable cost to allow it to fit in a great variety of applications, and for a faster return on investment.



This light can be used for outdoor applications; as a pole mounted area light with various types of distribution including Type II, Type III, or Type V. This light can also be used as a flood light.

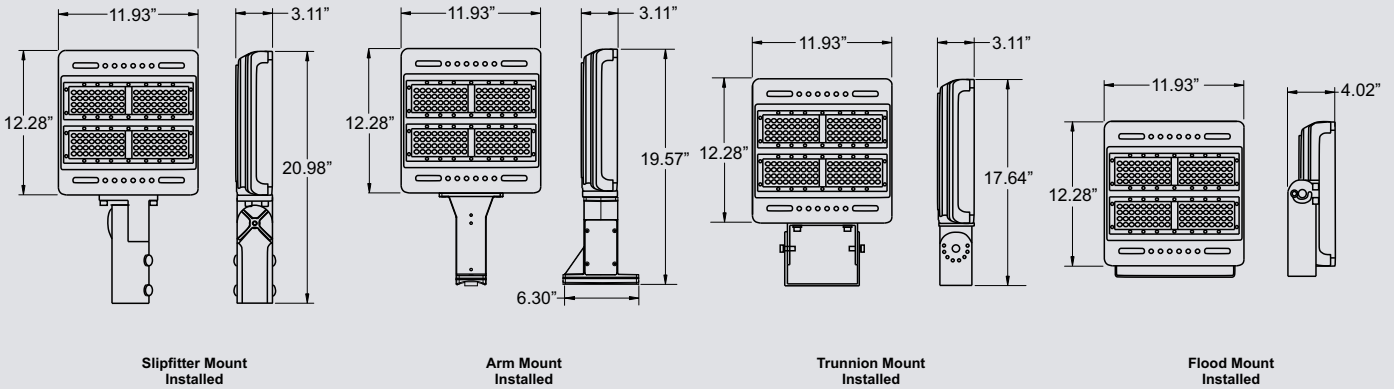
# FALB series

# on selected models

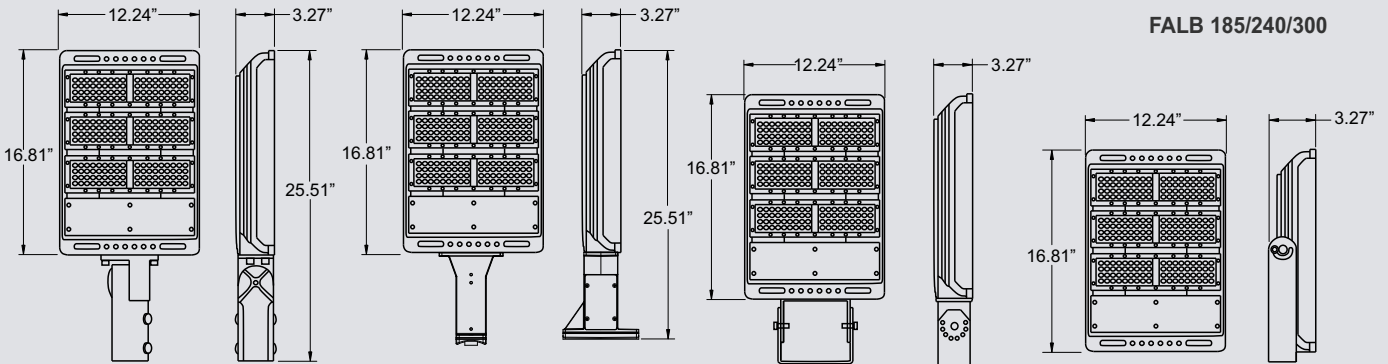
Model	Watts(W)	Lumens (LM) <small>Lumen based on 5000K CCT</small>	Efficacy (LPW)
FALB080	80	10,127	131
FALB100	100	12,363	126
FALB120	120	15,403	126
FALB150	150	18,668	122
FALB185	185	23,508	128
FALB240	240	29,542	124
FALB300	300	37,360	118



## FALB 080/100/120/150



## FALB 185/240/300



Family	Model	Color Temperature	Input Voltage	Lighting Distribution	Mount	Optional Add-ons
<b>FALB</b>						
	<b>080</b> 80 W	<b>40</b> 4000 K	<b>LV</b> 100-277V	<b>T3</b> Type III (85°x150°) [default]	<b>SF</b> Slipfitter Mount	<b>SP</b> Surge Protector
	<b>100</b> 100 W	<b>50</b> 5000 K	<b>HV</b> 480V	<b>T2</b> Type II (85°x135°)	<b>TM</b> Trunnion Mount	<b>PL</b> Photocell Assembly
	<b>120</b> 120 W	<b>57</b> 5700 K		<b>T5</b> Type V (120°)	<b>AM</b> Arm (Round or Square Pole)	
	<b>150</b> 150 W			<b>90</b> Flood (90°)	<b>FM</b> Flood Mount	
	<b>185</b> 185 W			<b>60</b> Flood (60°)		
	<b>240</b> 240 W			<b>40</b> Flood (40°)		
	<b>300</b> 300 W					



- Efficacy: up to 137 LPW
- Lumen Output: 10,300 – 40,800 L
- Wattage: 80 – 300 W

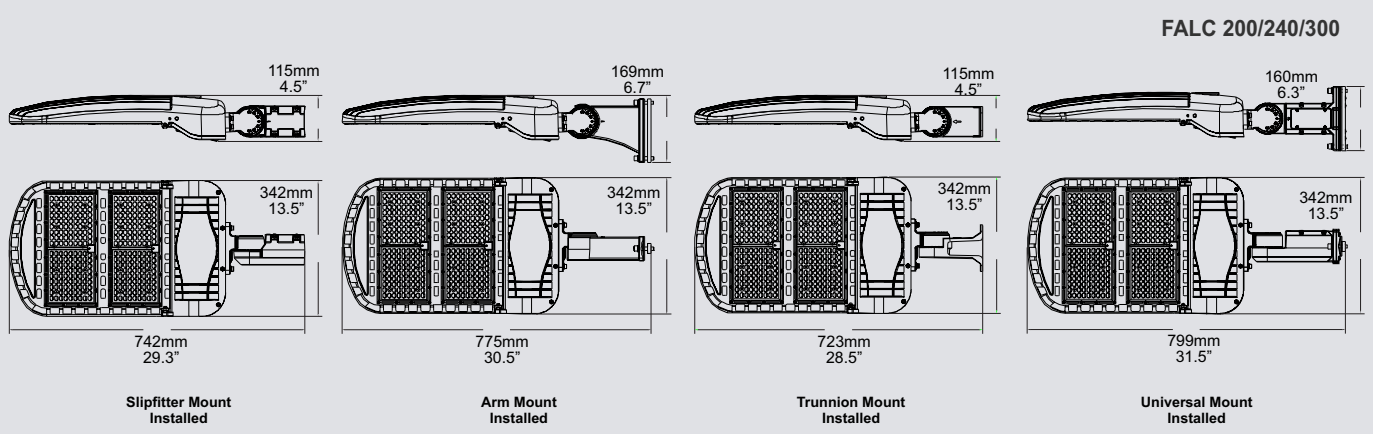
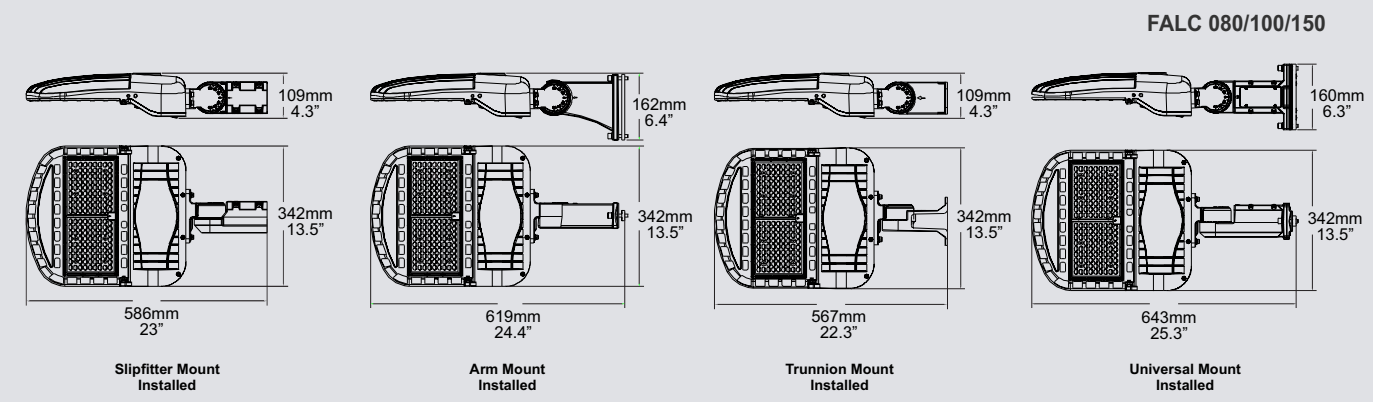


The FALC series Area Lights are designed for pole mounting and come standard with 10KA surge protector, 7-prong receptacle with short-cap. They feature uniform illumination, low-profile design, high efficacy, long lifespan, and easy installation. The one-piece die-cast aluminum housing with UV resistant powder coat finish offers outstanding corrosion protection.

Ideal for use in various commercial environments such as auto dealerships, parking lots, walkways, roadways, campuses, façade lighting, grocery stores and other public areas.

# FALC series

Model	Watts(W)	Lumens (LM) <small>Lumen based on 5000K CCT</small>	Efficacy (LPW)
FALC080	80	10,592	132
FALC100	100	13,077	131
FALC150	150	19,185	130
FALC200	200	26,200	131
FALC240	240	31,989	130
FALC300	300	39,827	130



Family	Model	Color Temperature	Input Voltage	Lighting Distribution	Mount	Housing Color	Optional Add-ons
FALC							
	<b>080</b> 80 W	<b>40</b> 4000 K	<b>LV</b> 100-277V	<b>T3</b> Type III (150°x90°) [default]	<b>SF</b> Slipfitter Mount	<b>BZ</b> Dark Bronze	<b>PS277</b> 120-277v Photocell Sensor
	<b>100</b> 100 W	<b>45</b> 4500 K	<b>HV</b> 200-480V	<b>T4</b> Type IV (140°x80°)	<b>TM</b> Trunnion Mount	<b>WH</b> White	<b>PS480</b> 480v Photocell Sensor
	<b>150</b> 150 W	<b>50</b> 5000 K		<b>T5</b> Type V (125°x160°)	<b>AM</b> Arm (Round or Square Pole)		<b>MS</b> Microwave Motion Sensor
	<b>200</b> 200W	<b>57</b> 5700 K			<b>3M</b> 3-in-1 Universal Mount		
	<b>240</b> 240 W						
	<b>300</b> 300 W						





- Efficacy: up to 138 LPW
- Lumen Output: 3,955 – 10,125 L
- Wattage: 35 / 55 / 75 W

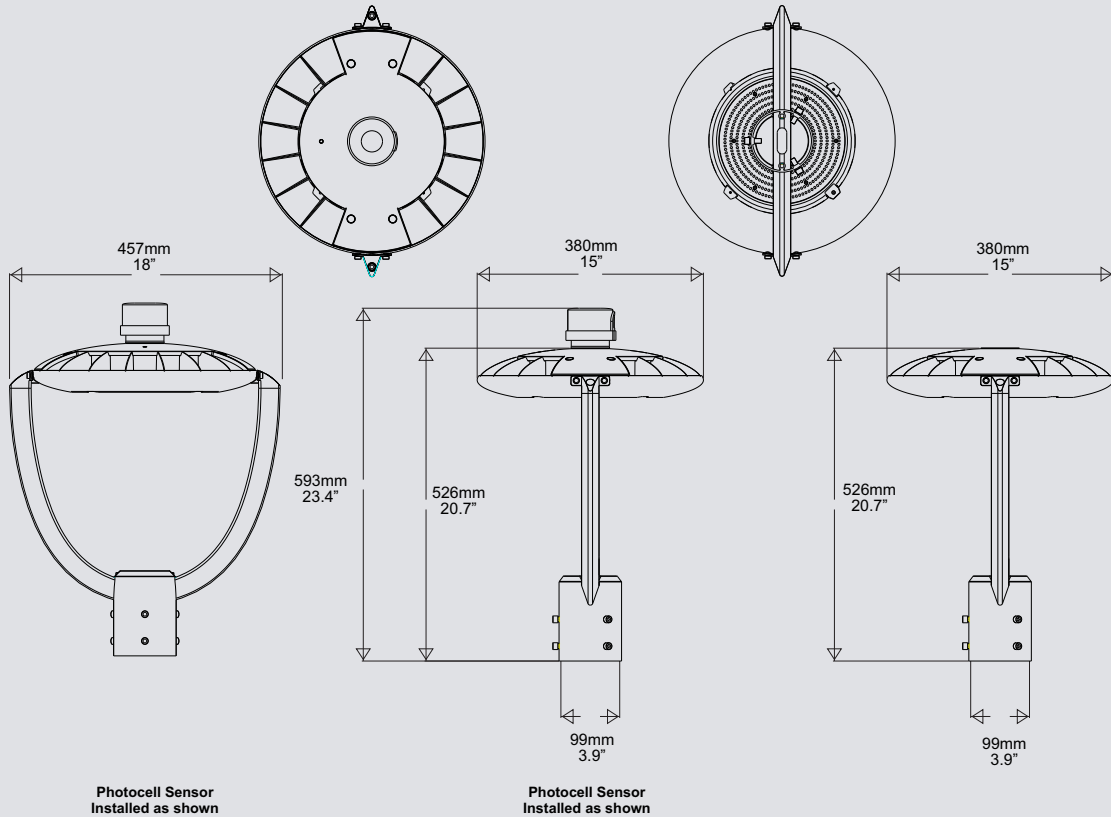
The FPTA is a high-tech twist on an everyday fixture featuring 3000/4000/5000K color temperature tunable on installation. Type V optics produce a round distribution which is perfect for parking lots and pathways. Cutting edge LED technology provides maintenance-free operation combined with significant reduction in energy consumption. Add all that to a standard tenon top pole and you've got a simple and effective lighting solution.

With IES classification Type V, this FPTA distributes light in a wide and uniform 360° pattern that is perfect for large outdoor areas such as parking lots, corporate parks, and retail settings. The 55W is best with 10' poles and the 75W is best suited for 15' poles.

# FPTA series



Model	CCT - Lumen (LM)			CCT - Efficacy (LPW)		
	3000K	4000K	5000K	3000K	4000K	5000K
FPTA35	3955	4393	4830	113	126	138
FPTA55	6325	6738	7150	115	125	135
FPTA75	8625	9375	10125	115	125	135



Family: **FPTA**      Model:       Housing Color:       Optional Add-ons:

- 35 35 W
- 55 55 W
- 75 75 W

- BZ** Dark Bronze
- WH** White

- PS** Photocell Sensor
- SU** 10KA Surge Protector
- MS** Microwave Motion Sensor





- Efficacy: up to 134 LPW
- Lumen Output: 4,000 – 19,000 L
- Wattage: 30 – 165 W



The FSTA delivers high efficient, long life and low maintenance. The smooth self-clean modern design has no visible heat sink. Optics integrated into the clear acrylic lens are designed for optimal light distribution. This reliable unit has a 100,000 hour design life, significantly reducing maintenance needs and expense compared to traditional HID fixture.

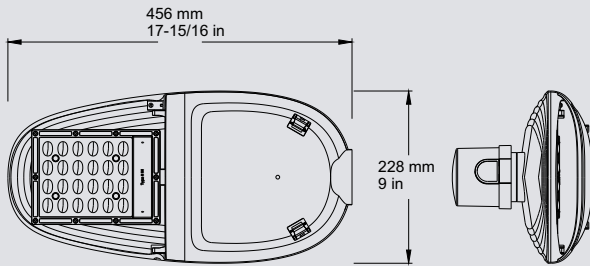
The FSTA LED Roadway Luminaire is optimized for customers requiring a LED solution for local, collector and major roadways.



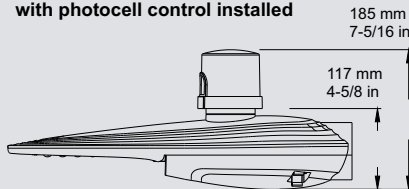
# FSTA series

Models	Lumen*	Efficacy	Models	Lumen*	Efficacy
FSTA03	4,020	134	FSTA10	13,000	130
FSTA04	5,360	134	FSTA11	13,750	125
FSTA05	6,650	133	FSTA12	14,640	122
FSTA06	7,680	128	FSTA14	16,065	119
FSTA07	8,750	125	FSTA15	17,550	117
FSTA08	9,225	123	FSTA17	18,975	115

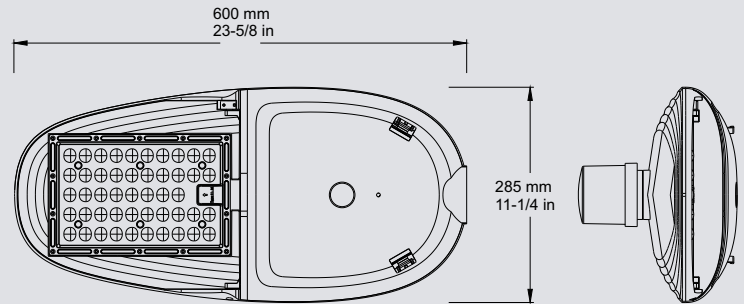
Lumen based on 4000K CCT



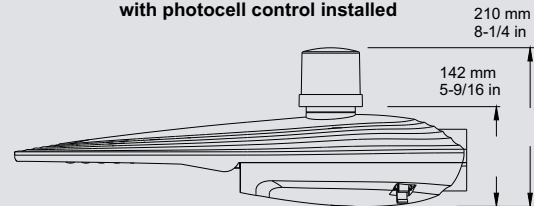
**FSTA03/04/05/06/07/08**  
with photocell control installed



**Weight 7.2 lbs**  
**EPA 0.68**



**FSTA10/11/12/14/15/17**  
with photocell control installed



**Weight 10.2 lbs**  
**EPA 1.0**

Family	Models	Color Temperature	Voltage	Light Distribution	Housing Color	Optional Addons <sup>4</sup>
<b>FSTA</b>						
	<b>03</b> 30W <b>10</b> 100W	<b>27</b> 2700K	<b>LV</b> 100-277v	<b>T2</b> IES Type II	<b>GR</b> Roadway Gray	<b>[blank]</b> No options
	<b>04</b> 40W <b>11</b> 110W	<b>30</b> 3000K	<b>HV<sup>1</sup></b> 200-480v	<b>T3<sup>2</sup></b> IES Type III	<b>XX<sup>3</sup></b> Other Color	<b>PS</b> Twistlock Photocell
	<b>05</b> 50W <b>12</b> 120W	<b>40</b> 4000K		<b>T4<sup>2</sup></b> IES Type IV		<b>PD</b> Twistlock Photocell w/Daylight Harvesting
	<b>06</b> 60W <b>14</b> 135W	<b>50</b> 5000K				<b>MS<sup>1</sup></b> Motion Sensor
	<b>07</b> 70W <b>15</b> 150W					
	<b>08</b> 75W <b>17</b> 165W					

Note <sup>1</sup> FSTA10/11/12/14/15 models only  
<sup>2</sup> extra cost may apply  
<sup>3</sup> special order only, extra cost may apply  
<sup>4</sup> extra cost apply





- Efficacy: up to 135 LPW
- Lumen Output: 1,800 - 7,100 L
- Wattage: 15w / 30w / 50w

The FFLA series Flood Lights are high performance LED luminaries with the options of various mounting available. With a low-profile design this aesthetically pleasing luminaire provides improved illumination performance while reducing energy consumption.

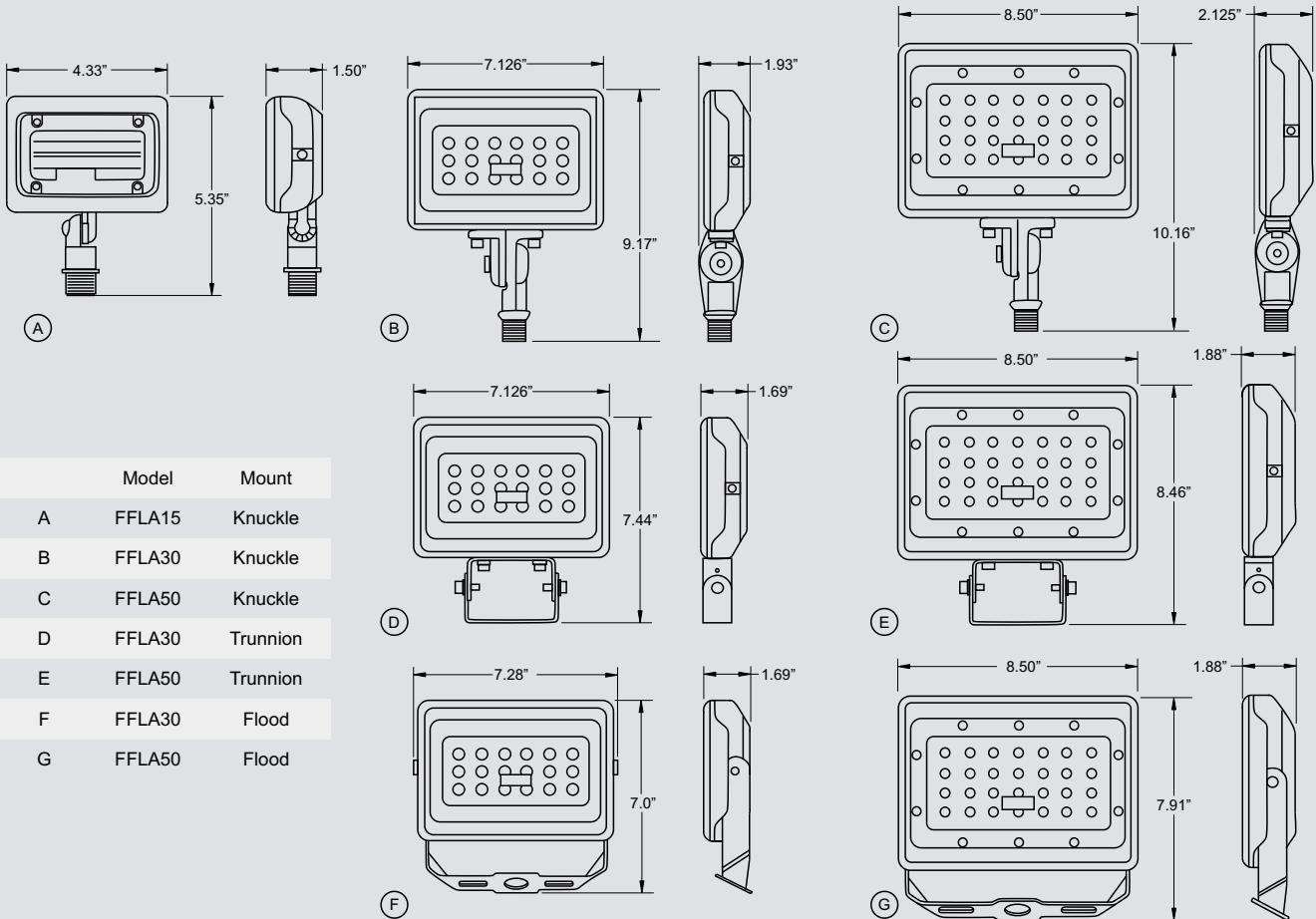
FFLA is ideal for illuminating any open-space application, including pathways, large common spaces, and parking lots.

# FFLA series

Model	Watts(W)	Lumens (LM) <small>Lumen based on 5000K CCT</small>	Efficacy (LPW)
FFLA15-50	15	1,947	135
FFLA30-50	30	3,819	132
FFLA50-50	50	7,048	135

Model	Watts(W)	Lumens (LM) <small>Lumen based on 4000K CCT</small>	Efficacy (LPW)
FFLA15-40	15	1,883	135
FFLA30-40	30	3,738	132
FFLA50-40	50	6,844	131



	Model	Mount
A	FFLA15	Knuckle
B	FFLA30	Knuckle
C	FFLA50	Knuckle
D	FFLA30	Trunnion
E	FFLA50	Trunnion
F	FFLA30	Flood
G	FFLA50	Flood



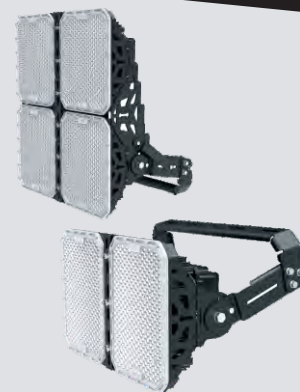
Family	Model	Color Temperature	Optional Add-ons
<b>FFLA</b>			
	<b>15</b> 15 W	<b>40</b> 4000 K	<b>TM</b> Trunnion Mount for FFLA30/50
	<b>30</b> 30 W	<b>50</b> 5000 K	<b>FM</b> Flood Mount for FFLA30/50
	<b>50</b> 50 W	<b>57</b> 5700 K	<b>[blank]</b> Knuckle Mount

- Efficacy: up to 136 LPW
- Lumen Output: 51,000 – 135,000 L
- Wattage: 400 – 1,000 W

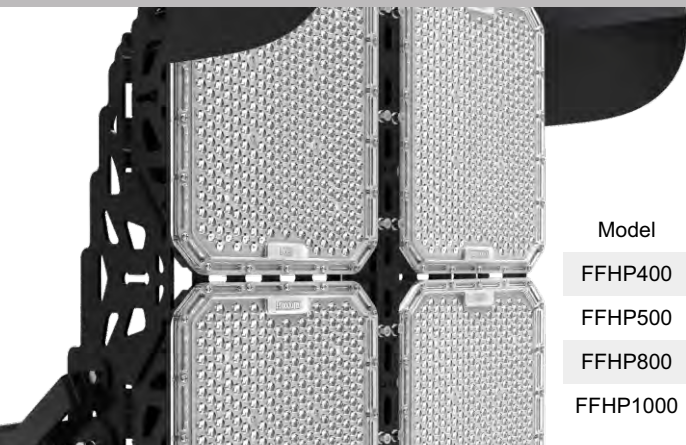


FFHP LED Flood Lights are the ultimate design tool for transforming buildings and outdoor spaces into works of art.

The series is offered in wide and spot optical distributions to suit an array of applications including wall washing, flags and signage, statues, monuments, and large areas. It provides a high-intensity output along with the efficiency and cost-effectiveness of LED technology.

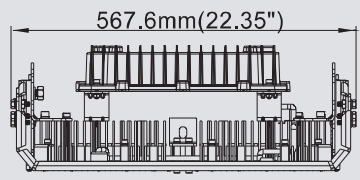
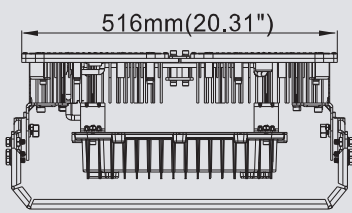
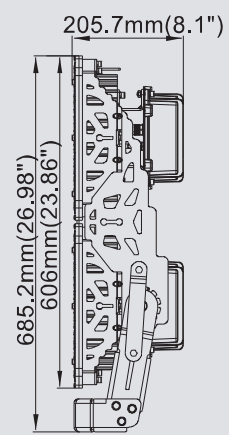
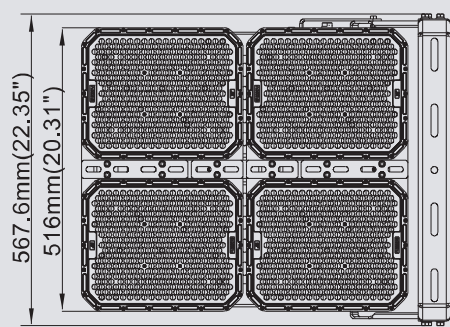
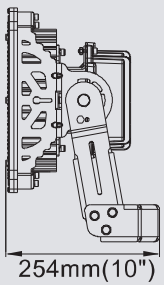
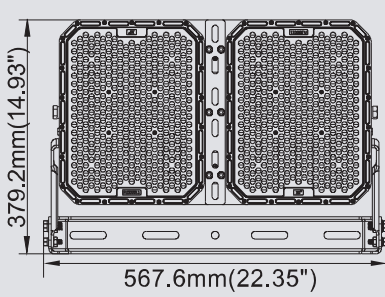


# FFHP series



Model	Watts(W)	Lumens (LM)	Efficacy (LPW)
FFHP400	400	52,900	134
FFHP500	500	69,100	134
FFHP800	800	107,000	135
FFHP1000	1000	135,000	136

Lumen based on 5000K CCT



**FFHP400  
FFHP500**

**FFHP800  
FFHP1000**

Family	Model	Color Temperature	Beam Angle	Voltage	Housing Finish	Mount	Option
<b>FFHP</b>							
	<b>400</b> 400w	<b>30</b> 3000 K (warm white)	<b>30</b> 30°	<b>LV</b> 100-277	<b>BL</b> Black	<b>[BLANK]</b> Trunnion	<b>SE</b> Photocell Sensor
	<b>500</b> 500w	<b>40</b> 4000 K (natural white)	<b>50</b> 50°	<b>HV</b> 277-480	<b>WH</b> White	<b>SF</b> Slipfitter <small>(400/500w only)</small>	<b>HD</b> Glare Shield
	<b>800</b> 800w	<b>50</b> 5000 K (daylight)	<b>100</b> 100°		<b>SL</b> Silver		<b>LS</b> Laser Aim
	<b>1000</b> 1000w	<b>57</b> 5700 K (cool white)					







- Efficacy: up to 133 LPW
- Lumen Output: 5,300 - 13,400 L
- Wattage: 40 - 100 W

The FCPG Series are LED garage lights that IP65 rated and are offered in various color temperatures, and optional motion sensor for more energy saving.



This light can be used for indoor or outdoor applications. Typically used for parking garage, gas stations, or warehouse applications.

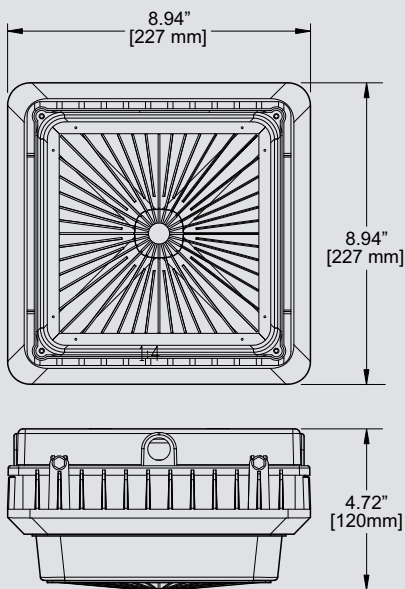
# FCPG series



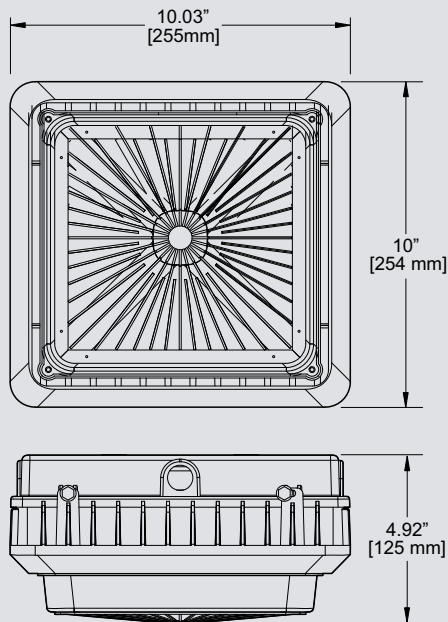
Model	Watts(W)	Lumens (LM)	Efficacy (LPW)
FCPG040	40	5,374	131.91
FCPG055	55	7,423	132.84
FCPG075	75	9,962	132.81
FCPG100	100	13,336	131.52

Lumen based on 5000K CCT

**FCPG040**  
**FCPG055**



**FCPG075**  
**FCPG100**



Family	Model	Color Temperature	Input Voltage	Optional Add-ons
<b>FCPG</b>	<input type="text"/>	<input type="text"/>	<input type="text"/>	<input type="text"/>
	<b>040</b> 40 W	<b>40</b> 4000 K	<b>[blank]</b> Universal Voltage	<b>MO</b> Microwave Motion Sensor
	<b>055</b> 55 W	<b>45</b> 4500 K	100-277Vac, 50-60 Hz	
	<b>075</b> 75 W	<b>50</b> 5000 K	<b>HV</b> High Voltage	<b>SB</b> Suspended Mount Bracket
	<b>100</b> 100 W	<b>57</b> 5700 K	347-480Vac, 50-60 Hz (for FCPG040 only)	



- Efficacy: up to 133 LPW
- Lumen Output: 3,300 – 13,400 L
- Wattage: 25 – 120 W



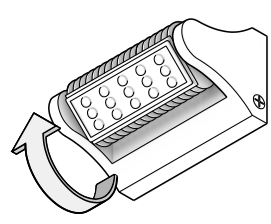
The FWPR series LED wall light is a high performance LED fixture. It comes with 360° adjustable LED modules with a 60° beam angle, giving more control on the light.

This light can be used for outdoor/indoor applications to be mounting on to a wall, or to be used as a flood light.

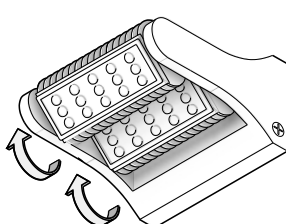


# FWPR series

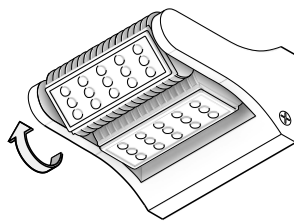
Model	Watts(W)	Lumens (LM) <small>Lumen based on 5000K CCT</small>	Efficacy (LPW)
FWPR025	25	3280	130
FWPR040	40	5131	128
FWPR060	60	7068	118
FWPR080	80	10,598	133
FWPR120	120	13,395	119



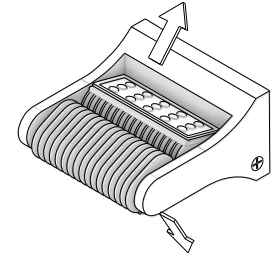
FWPR WALL LIGHT WITH A 360 DEGREE ROTATABLE MODULE



ADJUST BOTH MODULES TO LUMENATE A FURTHER DISTANCE FROM THE WALL FIXTURE



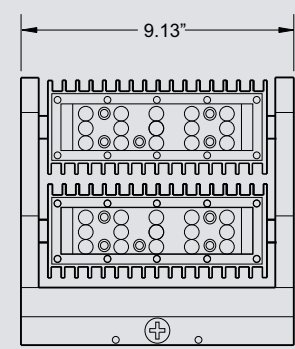
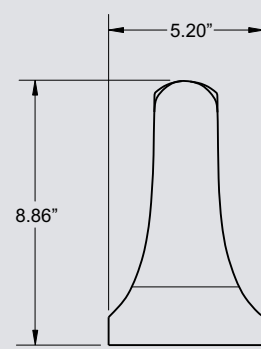
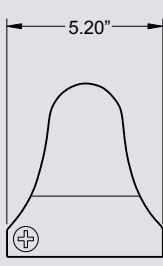
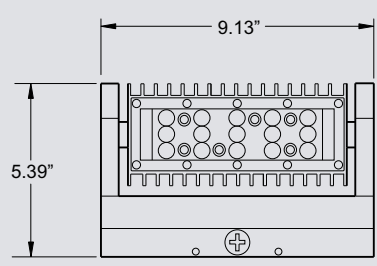
ADJUST 1 OF 2 MODULES TO LUMENATE UNDERNEATH AND DISTANCE FROM WALL FIXTURE



ADJUST BOTH MODULES TO LUMENATE UNDERNEATH AND ABOVE WALL FIXTURE

**FWPR025  
FWPR040  
FWPR060**

**FWPR080  
FWPR120**



Scan QR code with your Camera App for SPEC SHEET in PDF

Family	Model	Color Temperature	Housing Color	Option
<b>FWPR</b>				
	<b>025</b> 25 W	<b>40</b> 4000 K	<b>[blank]</b> Dark Bronze	<b>[blank]</b> none
	<b>040</b> 40 W	<b>50</b> 5000 K	<b>BK</b> Black	<b>PS</b> photocell sensor
	<b>060</b> 60 W	<b>57</b> 5700 K	<b>SG</b> Silver Gray	<b>EJ</b> extended junction box (recommended for photocell installation)
	<b>080</b> 80 W		<b>WH</b> White	
	<b>120</b> 120 W			



- Efficacy: up to 130 LPW
- Lumen Output: 4,300 – 15,400 L
- Wattage: 35 – 120 W



The FWPT Series are LED wallpacks with traditional external design but modern internal for all general wall mount applications. The fixture is IP65 rated and is offered in various color temperatures, and optional photocell sensor offers more energy saving. FWPT series wallpack is a combination of classic design and high efficacy.

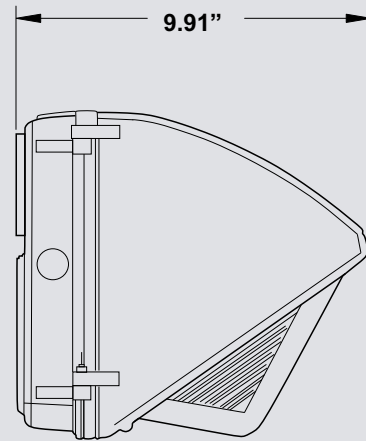
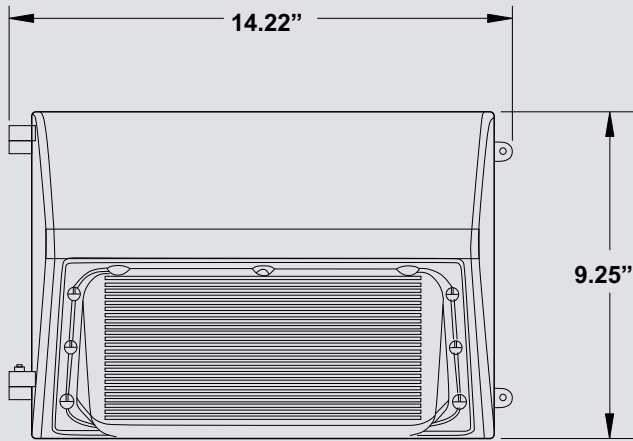
This light can be used for outdoor applications. Typically installed onto building walls.

# FWPT series



Model	Watts(W)	Lumens (LM)	Efficacy (LPW)
FWPT035	35	4,314	123.26
FWPT055	55	6,832	124.22
FWPT080	80	9,825	122.81
FWPT100	100	12,407	124.07
FWPT120	120	15,483	129.03

Lumen based on 5000K CCT



Family	Model	Color Temperature	Optional Add-ons
FWPT			

<b>035</b>	35 W	<b>40</b>	4000 K
<b>055</b>	55 W	<b>45</b>	4500 K
<b>080</b>	80 W	<b>50</b>	5000 K
<b>100</b>	100 W	<b>57</b>	5700 K
<b>120</b>	120 W		

**PS** Photocell Sensor



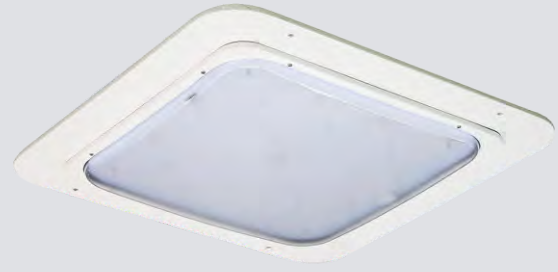


- Efficacy: up to 138 LPW
- Lumen Output: 19,600 – 32,000 L
- Wattage: 150w / 180w / 240w



The FCPA series is LED Canopy Light that are IP65 rated. This product can also be ordered in various color temperatures varying from 4000K to 5700K as well as a couple of mounting options to meet the customers needs.

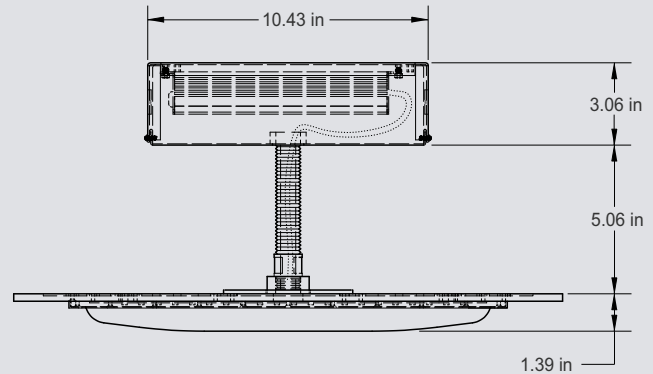
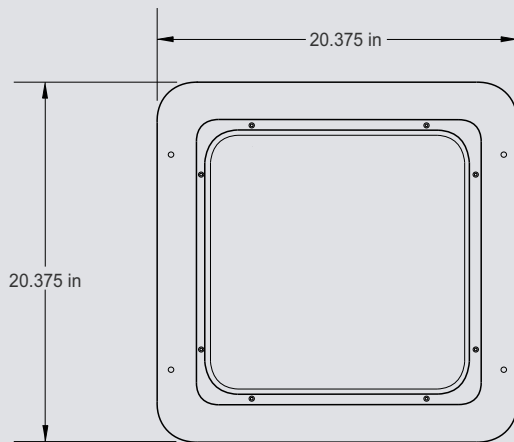
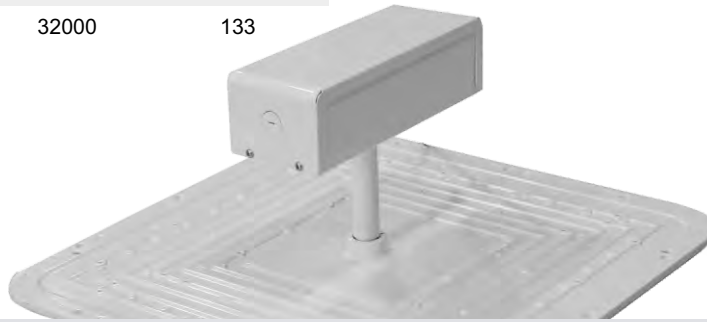
Ideal for use in various commercial and industrial environments such as gas station, service canopy, etc.



# FCPA series

Model	Watts(W)	Lumens (LM)	Efficacy (LPW)
FCPA150	150	19600	131
FCPA180	180	24900	138
FCPA240	240	32000	133

Lumen based on 5000K CCT



Family	Model	Color Temperature	Optional Add-ons
FCPA			

- |                  |                                  |
|------------------|----------------------------------|
| <b>150</b> 150 W | <b>40</b> 4000 K (natural white) |
| <b>180</b> 180 W | <b>45</b> 4500 K                 |
| <b>240</b> 240 W | <b>50</b> 5000 K (daylight)      |
|                  | <b>57</b> 5700 K (cool white)    |

- SM** Surface Mount Kit
- RF** Retrofit Kit for existing 2x2 housing





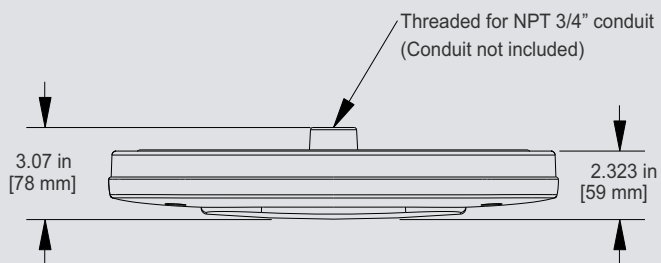
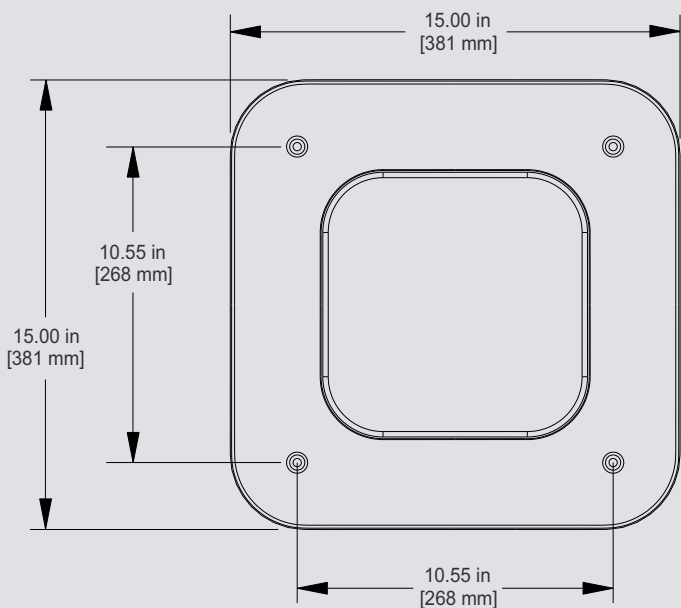
- Efficacy: up to 118 LPW
- Lumen Output: 15,000 L
- Wattage: 130 W

The FCPB series is LED Canopy luminaire comes in a slim and high efficiency design, it is IP65 rated for outdoor applications. It makes service islands more inviting, drivers feel safer and better informed, and interior aisles and shelves pop. It also reduces energy usage by up to 70% and require virtually no maintenance

Ideal for use in gasoline station, automobile service station, canopy of other buildings.

# FCPB series

Model	CCT	Lumens (LM)	Efficacy(LPW)
FCPB130-40	4000K	14,800	117
FCPB130-45	4500K	14,800	117
FCPB130-50	5000K	14,800	117
FCPB130-57	5700K	15,240	118



Family: **FCPB130** — Color Temperature:  — Optional Add-ons:



- 40** 4000 K (neutral white)
- 45** 4500 K
- 50** 5000 K (daylight)
- 57** 5700 K (cool white)

- [blank]** none
- RF** Retrofit Kit for existing 2x2 housing

- Efficacy: up to 147 LPW
- Lumen Output: 53,000 – 166,000 L
- Wattage: 400 – 1,200 W



FFHS series Offer versatility for any outdoor sport including football, soccer, baseball, lacrosse and field hockey, the FFHS light delivers maintenance-free, professional sports lighting with a great return on investment. The FFHS series can also be used as high mast lights for large areas.

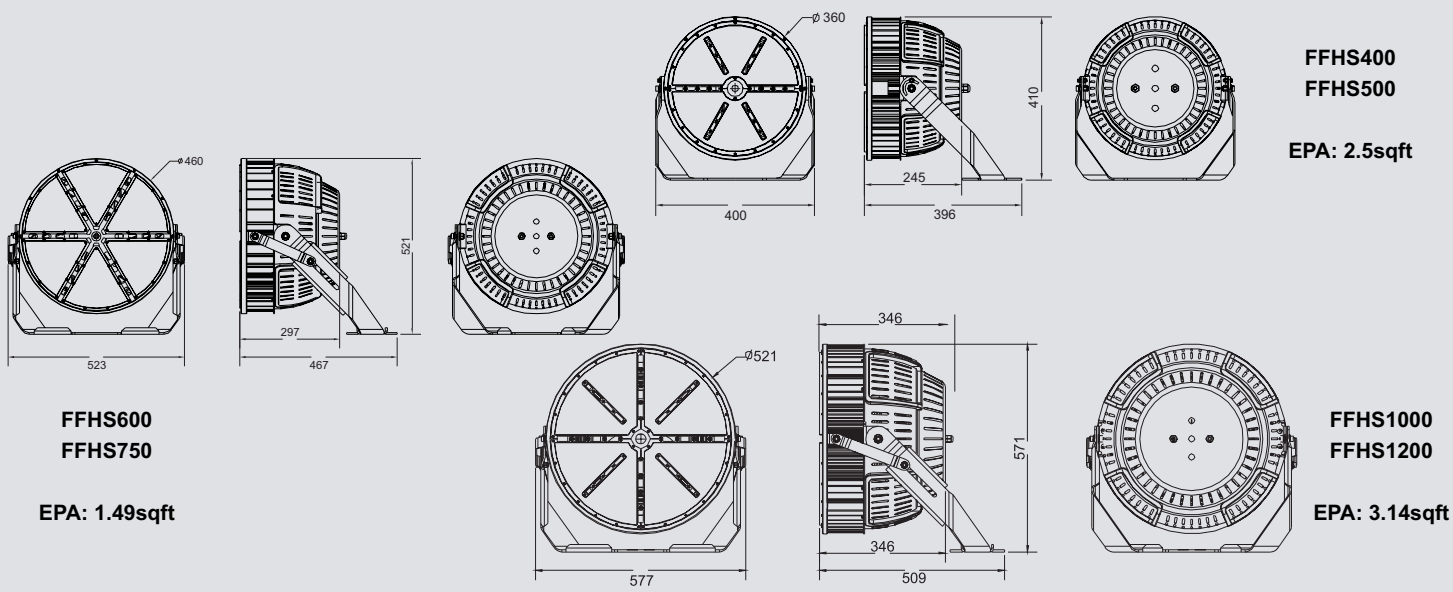
The FFHS series is the ideal solution for professional caliber outdoor sports lighting with features designed with municipal, high school, collegiate and semi-professional outdoor sports venues in mind.



# FFHS series

Model	Watts(W)	Lumens (LM)	Efficacy (LPW)
FFHS400	400	54,812	135
FFHS500	500	66,916	131
FFHS600	600	89,533	147
FFHS750	750	105,916	142
FFHS1000	1000	136,722	133
FFHS1200	1200	165,675	133

Lumen based on 5000K CCT



Family	Model	Color Temperature	Beam Spread NEMA Types	Input Voltage	Housing Color	Option	
<b>FFHS</b>							
	<b>400</b>	400w	<b>40</b> 4000 K (neutral white)	<b>44</b> NEMA 4x4	<b>LV</b> 100-277(Pre-conf.)	<b>BL</b> Black(Pre-conf.)	<b>HD</b> Glare shield "hood"
	<b>500</b>	500w	<b>45</b> 4500 K	(Pre-conf. 400/500w)	<b>HV</b> 277-480	<b>WH</b> White	<b>SF</b> Slipfitter
	<b>600</b>	600w	<b>50</b> 5000 K (daylight) (Pre-conf.)	<b>33</b> NEMA 3x3		<b>SL</b> Silver	<b>[Blank]</b> None
	<b>750</b>	750w	<b>57</b> 5700 K (cool white)	(Pre-conf. 600/750w)			
	<b>1000</b>	1000w		(Pre-conf. 1000/1200w)			
	<b>1200</b>	1200w					





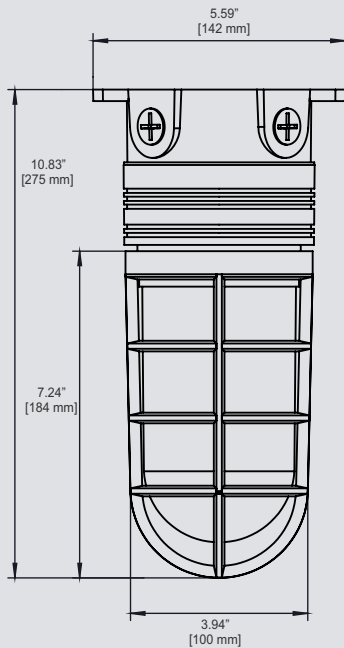
- Efficacy: up to 85 LPW
- Lumen Output: 1,200 L
- Wattage: 14 W

FJAR LED Vaporproof Jars are designed to replace 100-watt incandescent or 23-watt CFL fixtures with high-quality, long-lasting illumination, no maintenance required. The fixture is IP66 rated against ingress of dust and pressurized water in harsh environments, and suitable for inverted mounting.

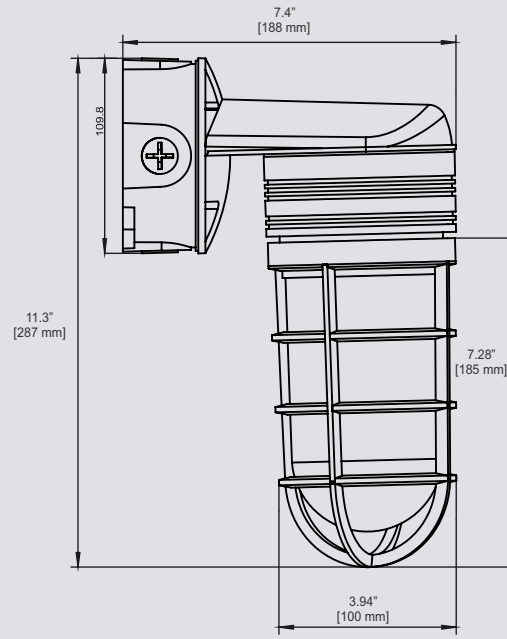
Ideal for use in doorways, scaffolding, construction sites, fire hydrants and emergency call stations.

# FJAR series

Model	CCT	Lumens (LM)	Efficacy(LPW)
FJAR14[C/W]5000	5000K	1,200	85
FJAR14[C/W]4000	4000K	1,150	83
FJAR14[C/W]3000	3000K	1,100	79
FJAR14[C/W]2700	2700K	1,080	77



CEILING MOUNT



WALL MOUNT

Family	Model	Color Temperature	Optional Lens
FJAR14			

- W** Wall Mount      **2700** 2700 K
- C** Ceiling Mount   **3000** 3000 K
- 4000** 4000 K
- 5000** 5000 K

- [blank]** Frosted glass (included)
- FL** Flat polycarbonate lens
- GL** Green frosted glass
- RL** Red frosted glass
- BL** Blue frosted glass
- YL** Yellow frosted glass





- Efficacy: up to 141 LPW
- Lumen Output: 11,700 – 42,000 L
- Wattage: 90 – 321 W



The FLHA series LED Linear High Bay is high performance luminaire with multiple power package designed for indoor application. It can be mounted in different way for various types of application.

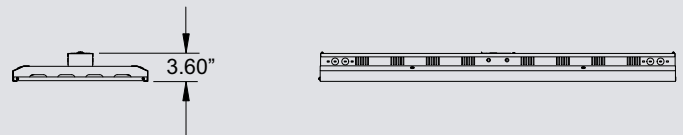
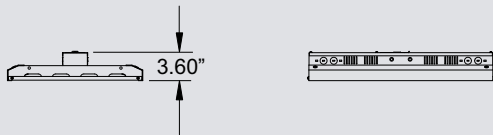
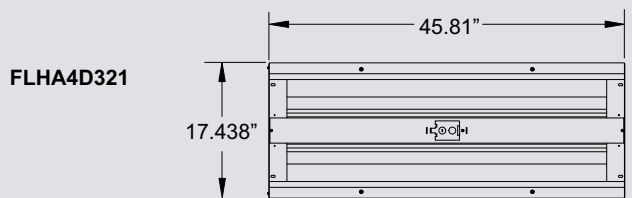
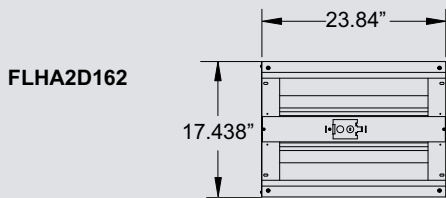
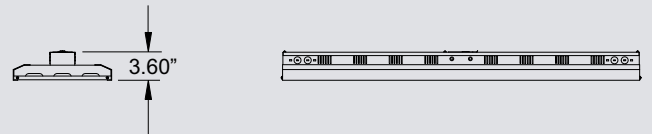
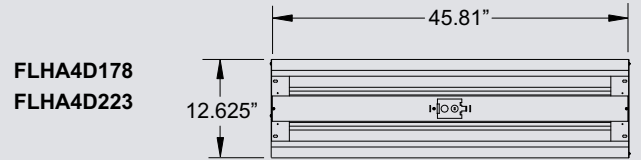
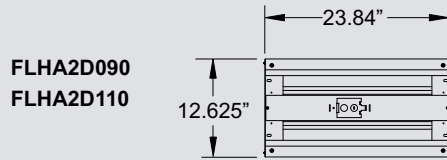
Ideal for use in warehouses, gymnasium or buildings with high ceiling up to 50ft.

# FLHA series



Lumen based on 5000K CCT

Model	Length (FT)	Watts(W)	Lumens (LM)	Efficacy (LPW)
FLHA2D090	2	90	11700	130
FLHA2D110	2	110	14410	131
FLHA2D162	2	162	21222	131
FLHA4D178	4	178	23318	131
FLHA4D223	4	223	29213	131
FLHA4D321	4	321	42051	131



Family	Housing Length	Model	Color Temperature	Input Voltage	Lens Type	Options
<b>FLHA</b>	<b>2D</b> 2 Feet (for 90W, 110W, 162W)	<b>090</b> 90 W	<b>4000</b> 4000 K	<b>UV</b> 100-277V	<b>FL</b> Frosted Lens <b>CL</b> Clear Lens <b>WL</b> Without Lens	<b>DH</b> Bi-level w/ Daylight Harvesting <b>IR</b> Infrared Motion Sensor <b>MO</b> Bi-level Motion Sensor <b>ACL/ACS</b> Aircraft cable 196 in / 120 in <b>CH</b> 40 in Chain Pair <b>PM</b> Pendant mount <b>SM</b> Surface mount <b>WG</b> Wire guard <b>EK</b> Emergency Kit
		<b>110</b> 110 W	<b>5000</b> 5000 K	<b>HV</b> 347-480V		
	<b>4D</b> 4 Feet (for 178W, 223W, or 321W)	<b>162</b> 162 W	<b>5700</b> 5700 K			
		<b>178</b> 178 W				
		<b>223</b> 223 W				
		<b>321</b> 321 W				





- Efficacy: up to 135 LPW
- Lumen Output: 14,700 - 56,000 L
- Wattage: 110 - 420 W



The FLHS series LED high bay comes standard with integrated lighting control (microwave occupancy & photocell) to reduce energy costs and help extend the life of the luminaire. It is an ideal one-for-one replacement to HID or fluorescent conventional high bay systems.

Ideal for use in warehouse, manufacturing and other large indoor spaces with ceiling heights up to 50'.

# FLHS series

Model	Length (FT)	Watts(W)	Lumens (LM)	Efficacy (LPW)
FLHS2D110	2	110	14700	134
FLHS2D162	2	162	21900	135
FLHS2D223	2	223	28900	130
FLHS4D223	4	223	29600	133
FLHS4D321	4	321	42700	133
FLHS4D420	4	420	56000	133

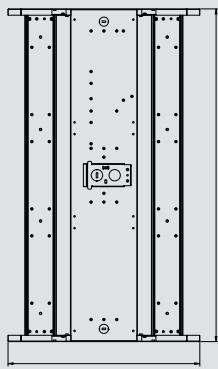
Lumen based on 5000K CCT

FLHS2D110

FLHS2D162  
FLHS2D223

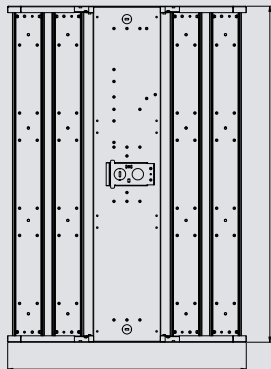
FLHS4D223

FLHS4D321  
FLHS4D420



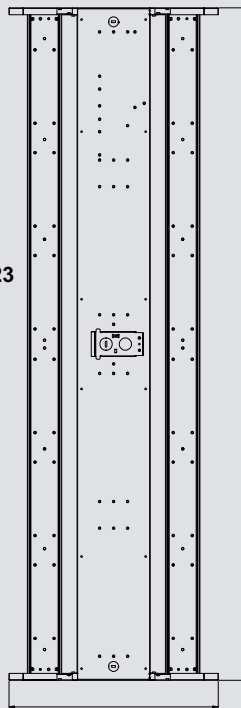
648 mm  
25-1/2 in

374 mm  
14-3/4 in



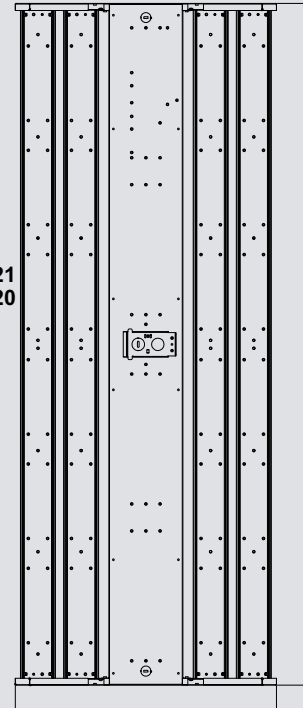
648 mm  
25-1/2 in

460 mm  
18-1/8 in



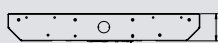
1200 mm  
47-1/4 in

374 mm  
14-3/4 in

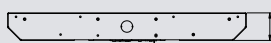


1200 mm  
47-1/4 in

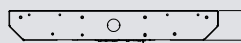
460 mm  
18-1/8 in



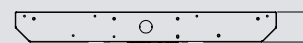
53 mm  
2-1/16 in



53 mm  
2-1/16 in



53 mm  
2-1/16 in



53 mm  
2-1/16 in

Family	Housing Length	Model	Color Temperature	Options	Lens Type
FLHS					



<b>2D</b> 2 Feet	<b>110</b> 110 W	<b>4000</b> 4000 K	<b>MM</b> Bi-Level Motion (included) <b>DH</b> B-Level Motion w/ Daylight Harvesting Aircraft cable <b>AC</b> 40 in Chain Pair <b>PM</b> Pendant mount <b>EK</b> Emergency Kit	<b>FL</b> Frosted (included) <b>CL</b> Clear
(for 110W, 162W, 223W)	<b>162</b> 162 W	<b>4500</b> 4500 K		
<b>4D</b> 4 Feet	<b>223</b> 223 W	<b>5000</b> 5000 K		
(for 223W, 321W, or 420W)	<b>321</b> 321 W			
	<b>420</b> 420 W			

- Efficacy: up to 155 LPW
- Lumen Output: 7,000 – 40,000 L
- Wattage: 60 – 250 W



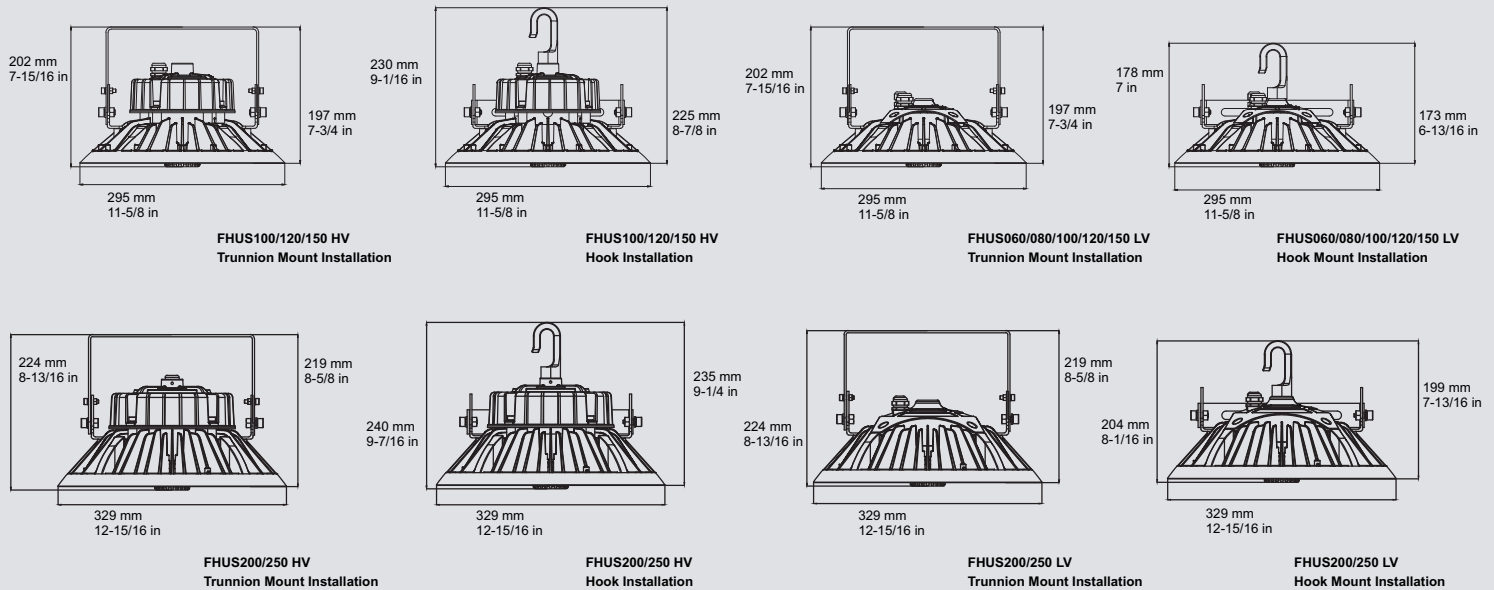
The FHUS is designed to perform at a price that makes sense. Get quick payback with up to 80% reduction in maintenance and energy costs compared to conventional metal halide systems. All FHUS models comes standard with a Bi-Level Dimming (step-dimming) sensor for further energy reductions. Hook and Trunnion mount included.

The FHUS is an efficient wet location high bay suitable for a variety of areas including warehouses, gyms, covered outdoor areas, garden centers, and mezzanines.

# FHUS series

Models	Watts(W)	Lumens (LM)	CRI	Efficacy (LPW)
FHUS060	60	7,664	93	134
FHUS080	80	11,989	73	155
FHUS100	100	15,219	70	154
FHUS120	120	18,167	70	153
FHUS150	150	23,356	70	152
FHUS200	200	32,264	70	155
FHUS250	250	39,320	73	155

Lumen based on 5000K CCT



Family	Model	Color Temperature	Voltage	Lens Beam Angle	Optional Addons
FHUS	60	30 3000K	LV 100-277v	120 120 degree	[blank] No options
	80	40 4000K	HV <sup>1</sup> 200-480v	60 <sup>4</sup> 60 degree	EM Emergency backup
	100	50 5000K		RF 90 degree prismatic reflector	
	120	57 5700K		CV <sup>2</sup> Prismatic drop lens w/clamp band	
	150			DH <sup>3</sup> Daylight harvesting sensor	
	200				
	250				

Note <sup>1</sup> 100w/120/150/200/250w only  
<sup>2</sup> require reflector, can only affix one accessory to a reflector.  
<sup>3</sup> require conduit mount kit  
<sup>4</sup> extra cost may apply





- Efficacy: up to 137 LPW
- Lumen Output: 10,300 - 40,800 L
- Wattage: 80 - 300 W

The FHW series is an Ultra powerful LED high bay provides incredible lumen output while keeping its size minimum, thanks for its unique and reliable active thermal control system. It also can be mounted in multiple ways for varies types of applications.



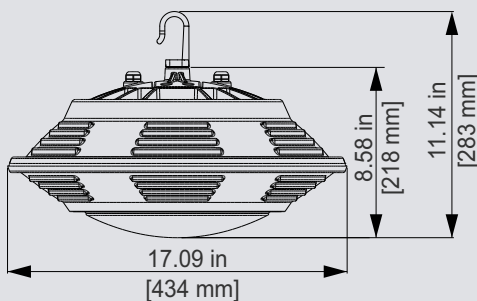
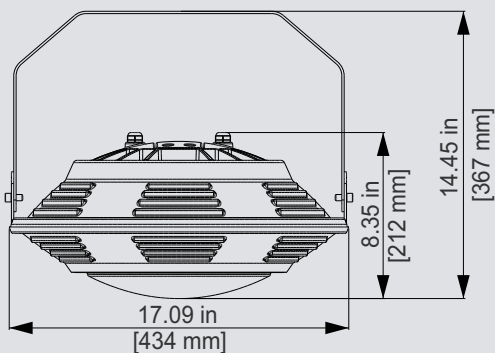
Ideal for use for indoor or outdoor applications. Typically used for warehouses, gymnasiums or buildings with high ceilings and high mounting heights to cover large areas of space.

# FHW series

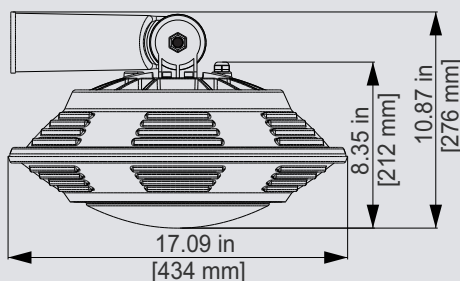


Model	Watts(W)	Lumens (LM)	Efficacy (LPW)
FHW300	300	43,221	140
FHW400	400	57,245	140
FHW480	480	68,739	140

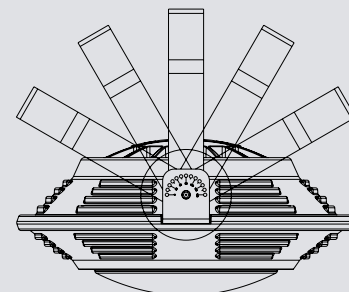
Lumen based on 5000K CCT



with included hook installed



with Optional On-Fixture Slipfitter Mount



with included Trunnion Mount (adjustable 180° angle range)

Family	Model	Color Temperature	Light Distribution	Input Voltage	Housing Color	Optional Add-ons
<b>FHW</b>						
	<b>300</b> 300W	<b>30</b> 3000 K	<b>120</b> 120° (pre-conf.)	<b>LV</b> 100-277v	<b>B</b> Black (pre-conf.)	<b>HWSF</b> On-fixture Slipfitter
	<b>400</b> 400W	<b>35</b> 3500 K	<b>90</b> 90° - optional (with ACHWRF90)	<b>HV</b> 300-480v	<b>W</b> White	<b>FLSF</b> Slipfitter attached to trunnion mount
	<b>480</b> 480W	<b>40</b> 4000 K				
		<b>45</b> 4500 K				
		<b>50</b> 5000 K (pre-conf.)				
		<b>57</b> 5700 K				





- Efficacy: up to 137 LPW
- Lumen Output: 13,600 – 21,000 L
- Wattage: 100w / 150w



The FHUE Series LED Highbays are affordable and high efficient luminaires with a compact design. These luminaires are IP65 rated and dimmable.

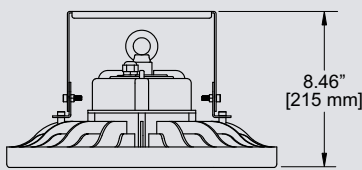
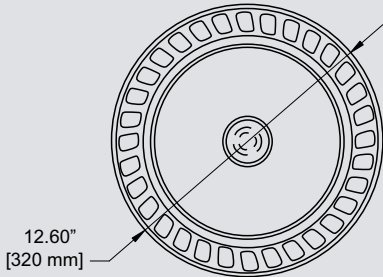
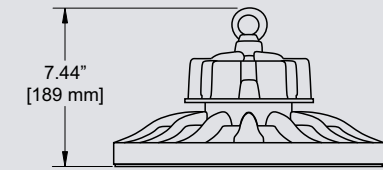
Ideal for use in used for indoor or outdoor applications. Typically used for warehouses, halls, gymnasiums.



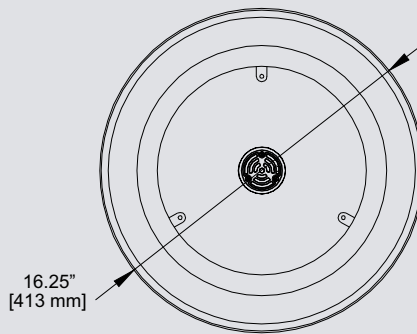
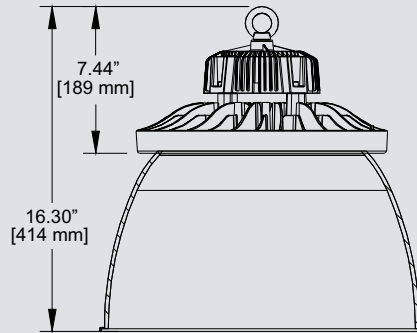
# FHUE series

Model	Watts(W)	Lumens (LM)	Efficacy (LPW)
FHUE100	100	13,668	135
FHUE150	150	20,256	135
FHUE150-HV	150	20,465	137

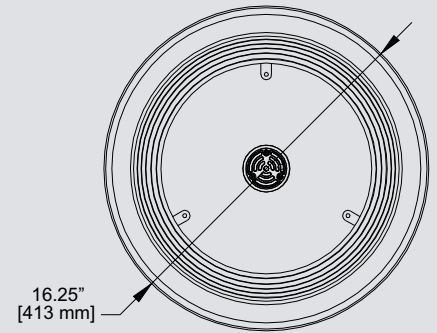
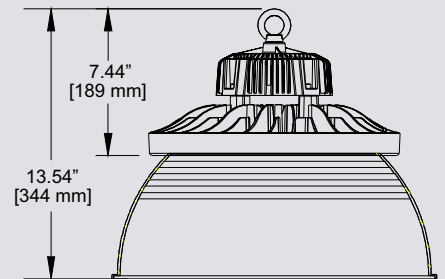
Lumen based on 5000K CCT



Installed with Optional Trunnion Mount



Installed with 60° Refractor



Installed with 90° Refractor

Family	Model	Color Temperature	Input Voltage	Housing Color	Accessories
FHUE	100	40	[blank]	[blank]	RF60
	150	45	HV	W	RF90
		50			CV
		57			TM





- Efficacy: up to 142 LPW
- Lumen Output: 14,000 - 32,000 L
- Wattage: 100 - 240 W



The FHUP series LED High Bays are high performance and high efficient luminaires with advanced thermal management prepared for higher ambient temperatures. These luminaires are IP65 rated, dimmable, and are highly customizable. It's offered with a wide range of mounting options, light color temperatures, and lighting controls.

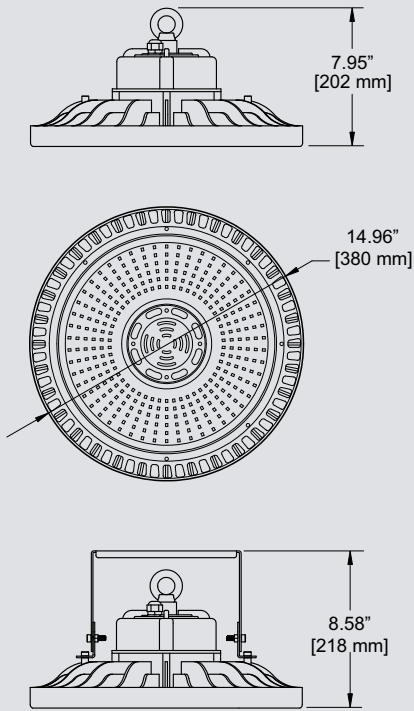
Ideal for use in used for indoor or outdoor applications. Typically used for warehouses, halls, gymnasiums.

# FHUP series

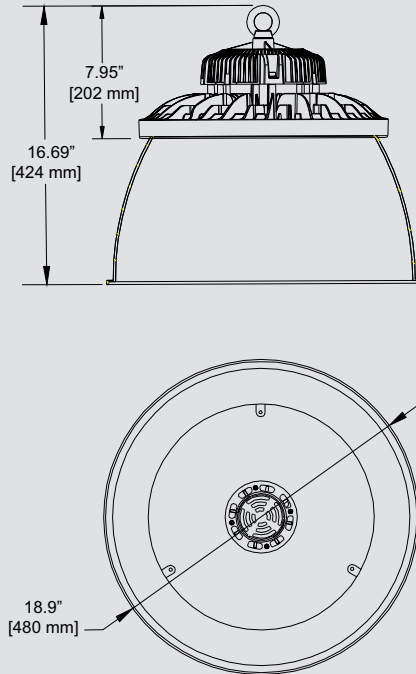


Model	Watts(W)	Lumens (LM)	Efficacy (LPW)
FHUP100	100	13,950	138
FHUP150	150	20,624	138
FHUP200	200	27,169	136
FHUP240	240	32,250	135

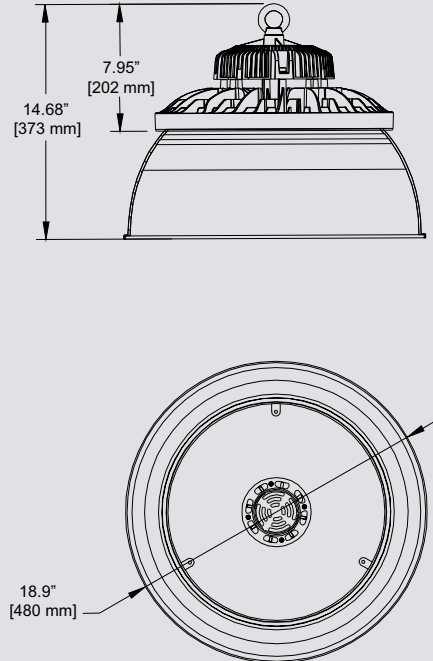
Lumen based on 5000K CCT



Installed with Optional Trunnion Mount



Installed with 60° Refractor



Installed with 90° Refractor

Family	Model	Color Temperature	Input Voltage	Housing Color	Accessories
<b>FHUP</b>					
	<b>100</b> 100W	<b>40</b> 4000K	<b>[blank]</b> 100-277v	<b>[blank]</b> Black	<b>RF60</b> 60° Refractor
	<b>150</b> 150W	<b>45</b> 4500K	<b>HV</b> 200-480v	<b>W</b> White	<b>RF90</b> 90° Refractor
	<b>200</b> 200W	<b>50</b> 5000K	(150w/240w HV only)		<b>CV</b> Refractor Bottom Cover
	<b>240</b> 240W	<b>57</b> 5700K			<b>TM</b> Trunnion Mount
					<b>MO</b> Microwave Motion Sensor



- Efficacy: up to 141 LPW
- Lumen Output: 20,700 – 28,200 L
- Wattage: 150w / 200w

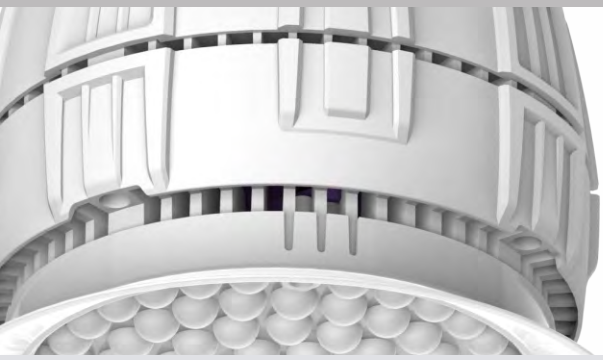


The XHB series LED High Bays are high performance and high efficient luminaires with advanced thermal management and unique architecture design. These luminaires are IP56 rated, dimmable. It's offered with a wide range of mounting options, light color temperatures, and lighting controls. It can also be used as a highbay retrofit mogul based bulb after removing the included hook.



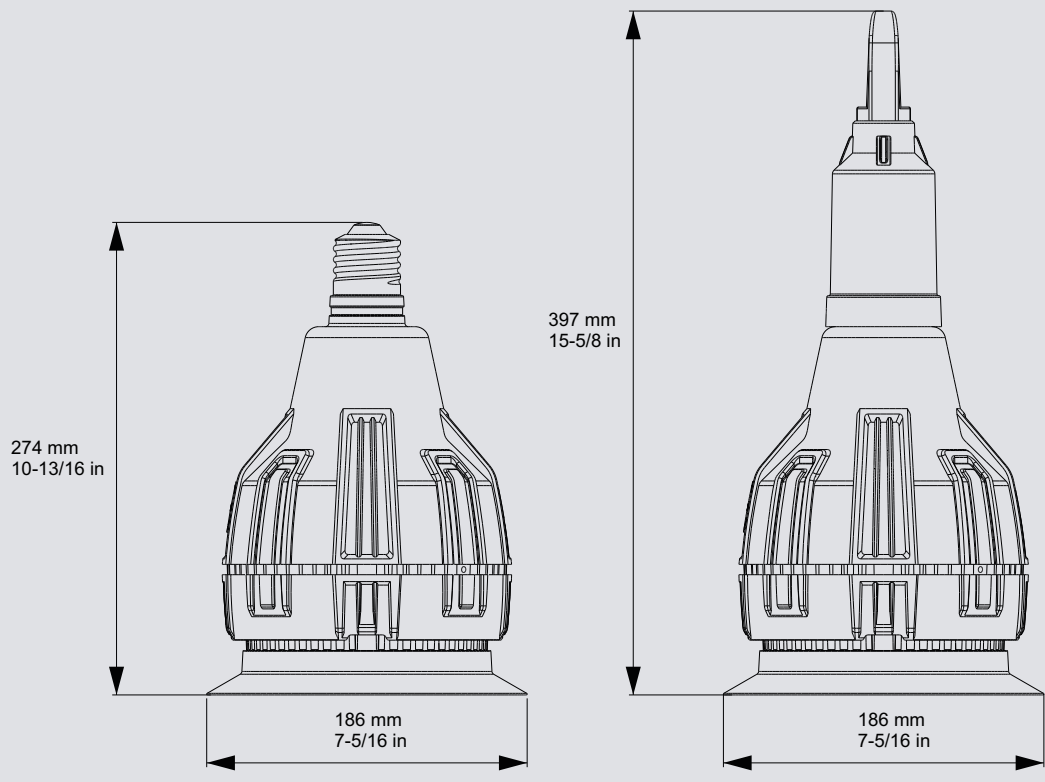
Ideal for use for indoor applications, typically used for halls, warehouses, and gymnasiums.

# XHB series



Model	Watts(W)	Lumens (LM)	Efficacy (LPW)
XHB150	150	20,850	139
XHB200	200	27,800	139

Lumen based on 5000K CCT



Family	Model	Color Temperature	Housing Color	Beam Angel	Mount Option	Option
<b>XHB</b>						
	<b>150</b> 150W	<b>WW</b> 3000K	<b>B</b> Black	<b>60A</b> 60°	<b>H</b> Hook & 3/4 NPT Conduit Mount	<b>S</b> PIR Motion Sensor
	<b>200</b> 200W	<b>NW</b> 4000K	<b>W</b> White	<b>90A</b> 90°	<b>U</b> Trunnion Mount	<b>N</b> No Sensor
		<b>DW</b> 5000K		<b>120A</b> 120°	<b>M</b> Mogul(E39) Bulb Base	
		<b>CW</b> 5700K				





- Efficacy: up to 130 LPW
- Lumen Output: 3,250 – 5,980 L
- Wattage: 20 – 46 W



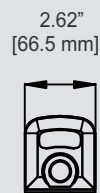
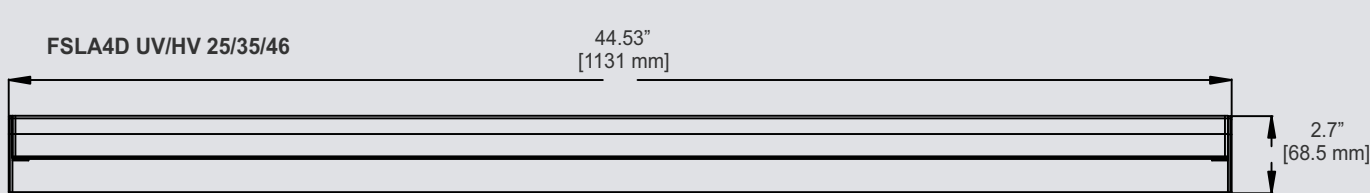
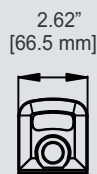
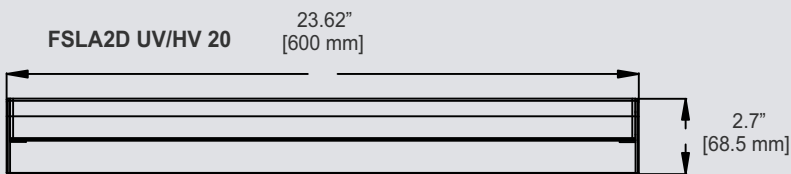
The 3-CCT-in-One FSLA LED strip light with its drop lens, provides a clean look for commercial or architectural applications. You get the application versatility of a fluorescent fixture, with the efficiency you expect from LED. Highly efficacious, the FSLA maximizes savings yet does so without compromising light levels. The FSLA is available in lengths of 2', 4' and can be extended to 8', allowing you to match existing fluorescent fixtures or keep the same aesthetic throughout your site.

Ideal for commercial, retail, manufacturing, warehouse, cove and display applications.

# FSLA series

Model	Length	Watts(W)	Lumens (LM)	Efficacy (LPW)
FSLA2DUV20	2 ft	20	2,600	130
FSLA4DUV25	4 ft	25	3,250	130
FSLA4DUV35	4 ft	35	4,550	130
FSLA4DUV46	4 ft	46	5,980	130

Lumen based on 5000K CCT



Family	Length	Dimming	Input Voltage	Model	Light Color Temperature	Optional Addons
FSLA	<b>2</b> 2 ft (20w only) <b>4</b> 4 ft (25/35/46w)	<b>D</b> Dimmable <b>N</b> Not dimmable	<b>UV</b> 100-277v <b>HV</b> 480v	<b>20</b> 20w <b>25</b> 25w <b>35</b> 35w <b>46</b> 46w	<b>3CCT</b> Color Tunable (3500/4000/5000K)	<b>AC</b> Cable Mount Kit <b>8F</b> 8ft Connector <b>MM</b> Internal Microwave Sensor (normal detection range) <b>EM</b> External Microwave Sensor (extended detection range) <b>EK</b> Emergency Kit





- Efficacy: up to 130 LPW
- Lumen Output: 4,680 – 26,000 L
- Wattage: 36 – 200 W



The FVTA series LED vapor tight lights are engineered for powerful lighting in harsh environments. A vapor tight housing protects the light source from water and dirt, while new generation LEDs and drivers provide higher efficacy and greater energy savings. The IP66-rated fixtures are designed to replace less-efficient fluorescent vapor tight strip lights or high bays. FVTA is NSF Certified.

Ideal for use in car wash operations, airports, tunnels, maintenance areas, parking garages, warehouses and stairwells.



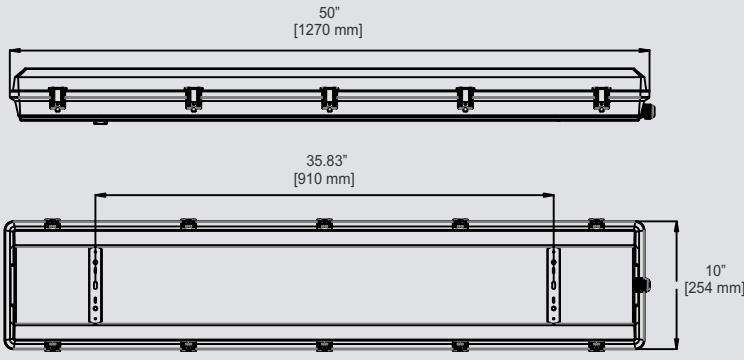
# FVTA series

Model	Length	Watts(W)	Lumens (LM)	Efficacy (LPW)
FVTA4DUV36	4 ft	36	4,680	130
FVTA4DUV46	4 ft	46	5,980	130
FVTA4DUV65	4 ft	65	8,450	130
FVTA4DUV100	4 ft	100	13,000	130
FVTA4DUV150	4 ft	150	19,500	130
FVTA4DUV200	4 ft	200	26,000	130
FVTA8DUV65	8 ft	65	8,450	130
FVTA8DUV100	8 ft	100	13,000	130

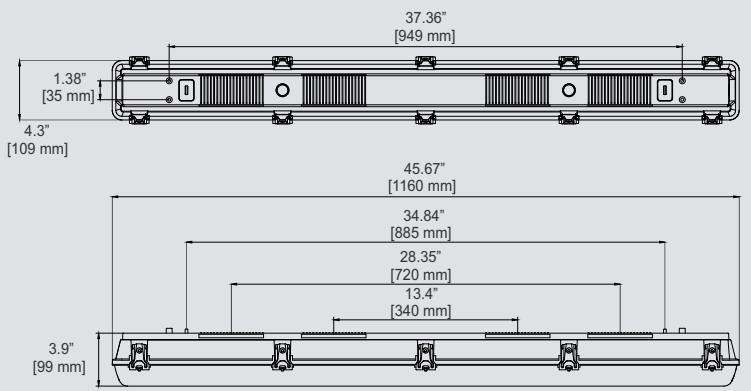
HIGH BAY



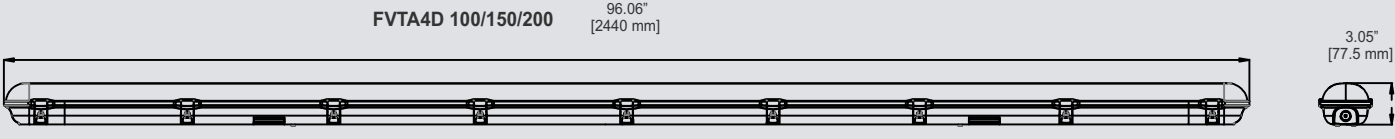
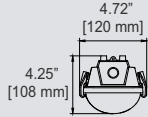
Lumen based on 5000K CCT



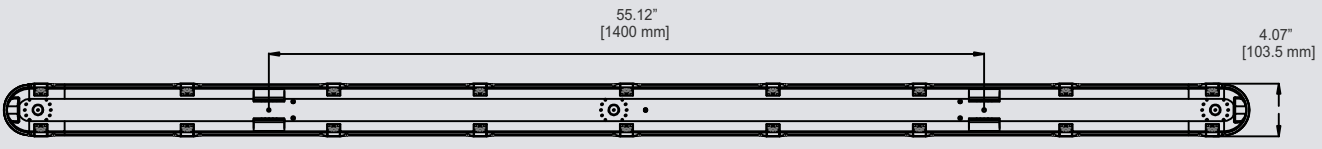
FVTA4D 36/46/65



FVTA8D 65/100



FVTA4D 100/150/200



Family	Length	Input Voltage	Model	Light Color Temperature	Lens	Occupancy Sensor
FVTA						

<b>4D</b>	4 ft	<b>UV</b> 100-277v <b>HV</b> 480v	<b>36</b> 36w <b>46</b> 46w <b>65</b> 65w <b>100</b> 100w <b>150</b> 150w <b>200</b> 200w	<b>3000</b> 3000k <b>4000</b> 4000k <b>5000</b> 5000k <b>5700</b> 5700k	<b>FL</b> frosted white (36/46/65w) <b>CL</b> semi-transparent (100/150/200w)	<b>[blank]</b> None <b>MM</b> Internal Bi-Level MotionSensor
-----------	------	--------------------------------------	--	--	--	---





- Efficacy: up to 144 LPW
- Lumen Output: 3,200 - 6,600 L
- Wattage: 25 - 50 W



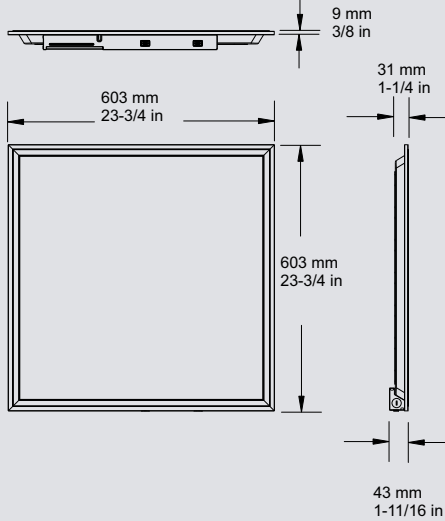
The FPNB series is a Field-Adjustable Direct-Lit LED panel light designed to be used in various indoor applications. 1x4 and 2x2 models can be set to 25, 30 or 36W, and 2x4 models can be set to 30, 40 or 50W, in addition to the selectable CCT of 3500, 4000, or 5000K, each form factor of FPNB panels can be field-adjusted to 9 different configurations.

Ideal for use in healthcare facilities, office spaces and classrooms, where lighting preferences vary from space to space.

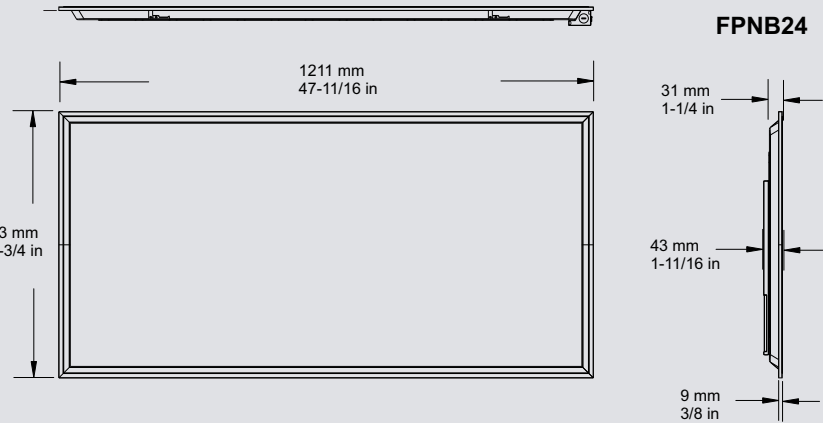
# FPNB series

Model	Watts(W)*	Lumen(LM)*	Efficacy(LM/W)
FPNB22	25 - 36	3,412 - 4,939	up to 143
FPNB24	30 - 50	4,266 - 6,637	up to 144
FPNB14	25 - 36	3,233 - 4,441	up to 129

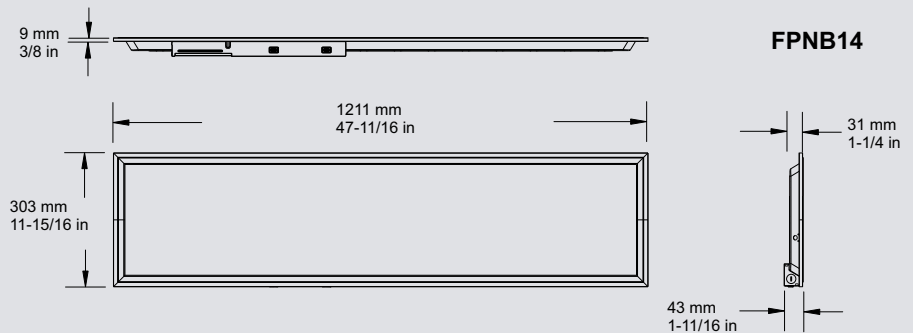
\* All FPNB models are output wattage & color temperature field-adjustable. see spec sheet for detailed performance chart.



FPNB22



FPNB24



FPNB14

Family	Model	Optional Function	Optional adds
FPNB			

- 14D30** 1'x4' ;Field-adjustable 25/30/36W & 3500/4000/5000K
- 22D36** 2'x2' ;Field-adjustable 25/30/36W & 3500/4000/5000K
- 24D50** 2'x4' ;Field-adjustable 30/40/50W & 3500/4000/5000K

- [blank]** No options
- EM** Emergency Backup
- MS** Bi-level Motion Sensor

- [blank]** No options
- SM** Surface mount kit
- DG** Recessed drywall kit
- CK** Cable mount kit
- EMTR** Emergency Test Remote



- Efficacy: up to 125 LPW
- Lumen Output: 2,700 – 6,600 L
- Wattage: 22 – 49 W



The FTFS series is a Field-Adjustable LED center basket troffer light designed to be used in various indoor applications. 1x4 and 2x2 models can be set to 22, 26, 28 or 32W, and 2x4 models can be set to 29, 34, 39 or 49W, in addition to the selectable CCT of 3500, 4000, or 5000K, each formfactor of FTFS troffer can be field-adjusted to 12 different configurations.

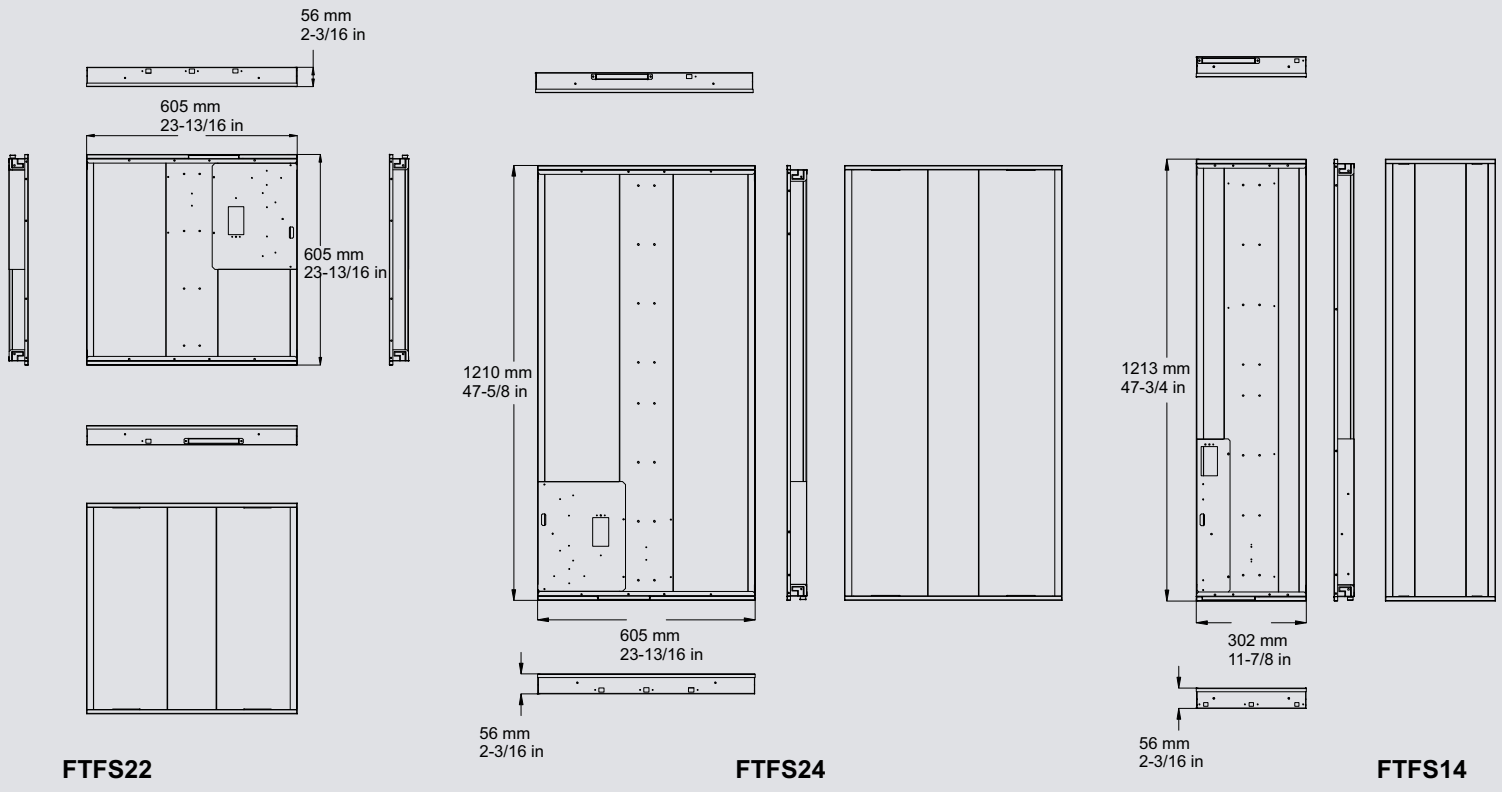
Ideal for use in healthcare facilities, office spaces and classrooms, where lighting preferences vary from space to space.

FIELD ADJUSTABLE  
 0-10V DIMMING  
 EMERGENCY BACKUP AVAILABLE  
 MOTION CONTROL AVAILABLE  
 DAYLIGHT HARVESTING AVAILABLE



# FTFS series

Model	Watts(W)*	Lumen(LM)*	Efficacy(LM/W)
FTFS22	22 - 32	2,800 - 4,100	125
FTFS24	29 - 49	4,300 - 6,600	125
FTFS14	22 - 32	2,700 - 4,100	125



FTFS22

FTFS24

FTFS14

Family	Model	Optional function	Optional addons
FTFS			



- 14 1'x4'; Field-adjustable 22/26/28/32W & 3500/4000/5000K
- 22 2'x2'; Field-adjustable 22/26/28/32W & 3500/4000/5000K
- 24 2'x4'; Field-adjustable 29/34/39/49W & 3500/4000/5000K

- [blank] No options
- EM Emergency Backup
- DH Bi-level Motion Sensor with Daylight Harvesting

- [blank] No options
- SM Surface mount kit
- DG Recessed drywall kit



- Efficacy: up to 130 LPW
- Lumen Output: 3,800 - 5,800 L
- Wattage: 30 - 46 W

The FTFB Series is center basket LED Premium Troffer designed to be used in various indoor applications. This dimmable fixture provides a single pleasant volumetric soft light that fills any interior space, giving it a larger, brighter, and more productive ambiance.



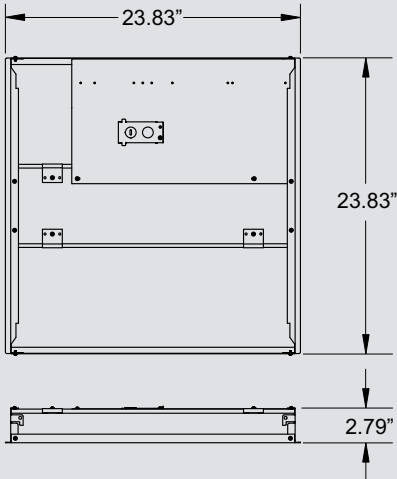
Ideal for use in offices, lobbies, schools or other indoor environment.

# FTFB series

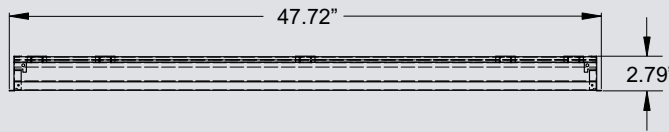
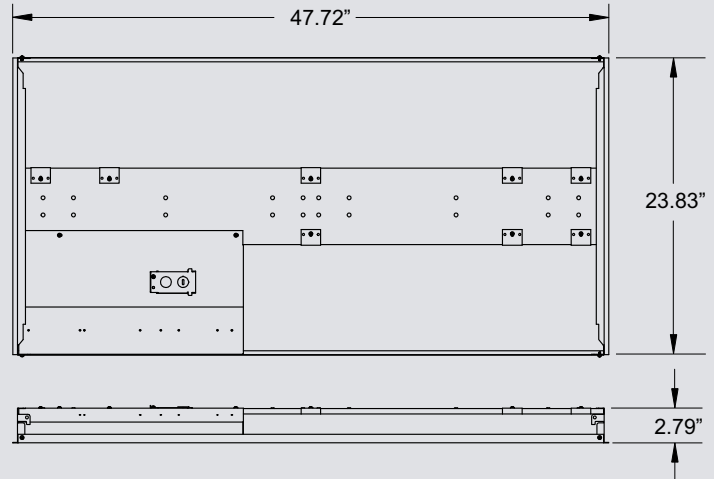
Model	Size	Watts(W)	Lumens (LM)	Efficacy (LPW)
FTFB14D35	1' x 4'	35	4,515	129
FTFB22D30	2' x 2'	30	3,780	126
FTFB22D40	2' x 2'	40	5,080	130
FTFB24D30	2' x 4'	30	3,780	126
FTFB24D46	2' x 4'	46	5,796	126

Lumen based on 5000K CCT

FTFB22D30  
FTFB22D40



FTFB24D30  
FTFB24D46



FTFB14D35



Family	Size	Model	Color Temperature	Optional Add-ons
FTFB				



<b>22D</b>	2' X 2'
<b>24D</b>	2' X 4'
<b>14D</b>	1' X 4'

<b>30</b>	30W
	(For 22D and 24D)
<b>35</b>	35 W (For 14D)
<b>40</b>	40 W (For 22D)
<b>46</b>	46 W (For 24D)

<b>3500</b>	3500 K
<b>4000</b>	4000 K
<b>5000</b>	5000 K

<b>[blank]</b>	None
<b>SM</b>	Surface Mount Kit
<b>DG</b>	Drywall Grid Adaptor
<b>EMA</b>	Emergency Kit
<b>TGH</b>	EMA T-Grid Hanger



- Efficacy: up to 124 LPW
- Lumen Output: 3,000 – 13,000 L
- Wattage: 27 – 115 W



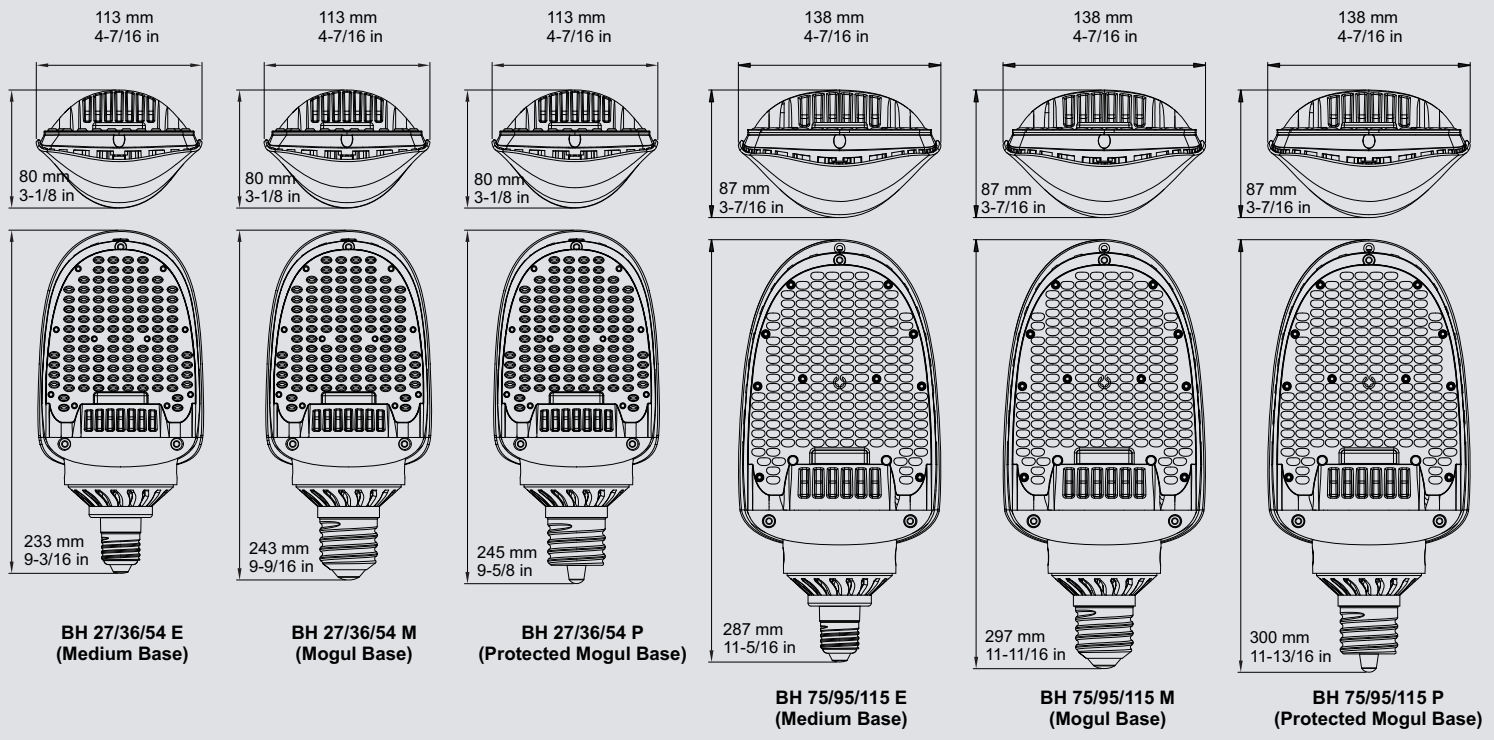
The BH series is LED bulbs designed for LED Retrofits of commercial and industrial lighting fixture, especially for the ones with a horizontal installed MH or CFL bulb. Simply bypass the ballast and install BH bulb to convert the fixtures into a modern LED luminaries. Its compact design allows it to fit in most of the fixtures.

The BU series is ideal to replace from 100w to 400w MH, or 60-200W CFL, for lighting fixtures such as wall pack, flood light, canopy lights, or parking lot lights.



# BH series

Models	Watts	4000 K (LM)	Efficacy (LPW)	5000 K	Efficacy
BH 27	27W	3032	117.07	3032	117.07
BH 36	36W	4010	115.33	4008.5	119.8
BH 54	54W	5672.4	111.53	5672.4	111.53
BH 75	75W	8507.2	115.32	8615.3	116.12
BH 95	95W	10622	114.03	10622	114.03
BH 115	115W	12819	113.44	12819	113.44



Family	Model	Lamp Base	Distribution Type	Color Temperature	
BH	27	27W	E E26	3 IES TYPE 3	4000 4000K (neutral white)
	36	36W	M E39	5 IES TYPE 5	5000 5000K (daylight)
	54	54W	P EX39		5700 5700K (cool white)
	75	75W			
	95	95W			
	115	115W			



- Efficacy: up to 113 LPW
- Lumen Output: 2,890 – 5,285 L
- Wattage: 30 – 50 W



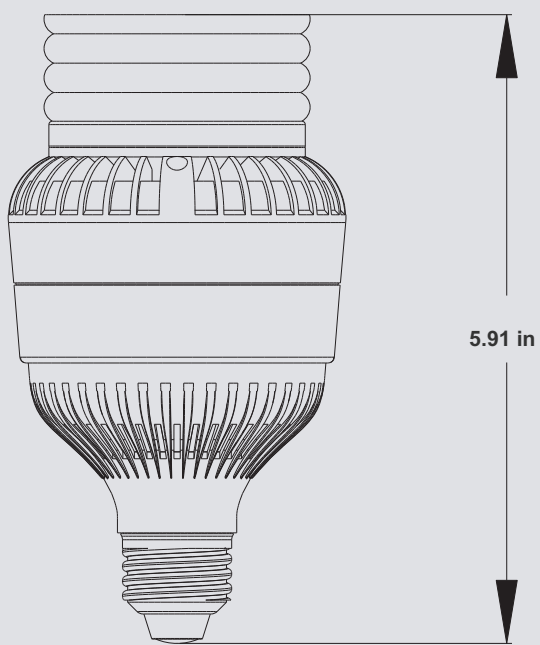
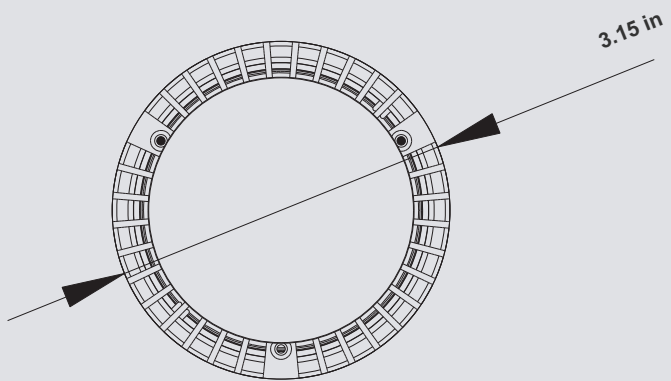
The BU Series is one of the most versatile bulbs on the market. Physically compact with a modern look. These units deliver high lumens and multiple color temperatures which allow for a variety of different solutions to fit your needs.

Some applications for this bulb include: Recessed Lighting, Wall Packs, Canopies, enclosed outdoor fixtures.

# BU series



Color Temp.	Lumen Output (Lm)			Efficacy (LPW)		
	(30 W) BU150	(40 W) BU200	(50 W) BU250	(30 W) BU150	(40 W) BU200	(50 W) BU250
WW (3000K)	2890	4235	5040	107.8	104.5	101.9
NW (4000K)	2930	4320	5120	109.5	106.5	103.5
DW (5000K)	2970	4400	5200	111.0	108.8	105.2
CW (6000K)	3020	4490	5285	112.6	110.7	106.9



Family	Model	Color Temperature
BU	150 30 W	WW 3000 K
	200 40 W	NW 4000 K
	250 50 W	DW 5000 K
		CW 6000 K



- Efficacy: up to 144 LPW
- Lumen Output: 2,000 – 15,000 L
- Wattage: 15 – 125 W



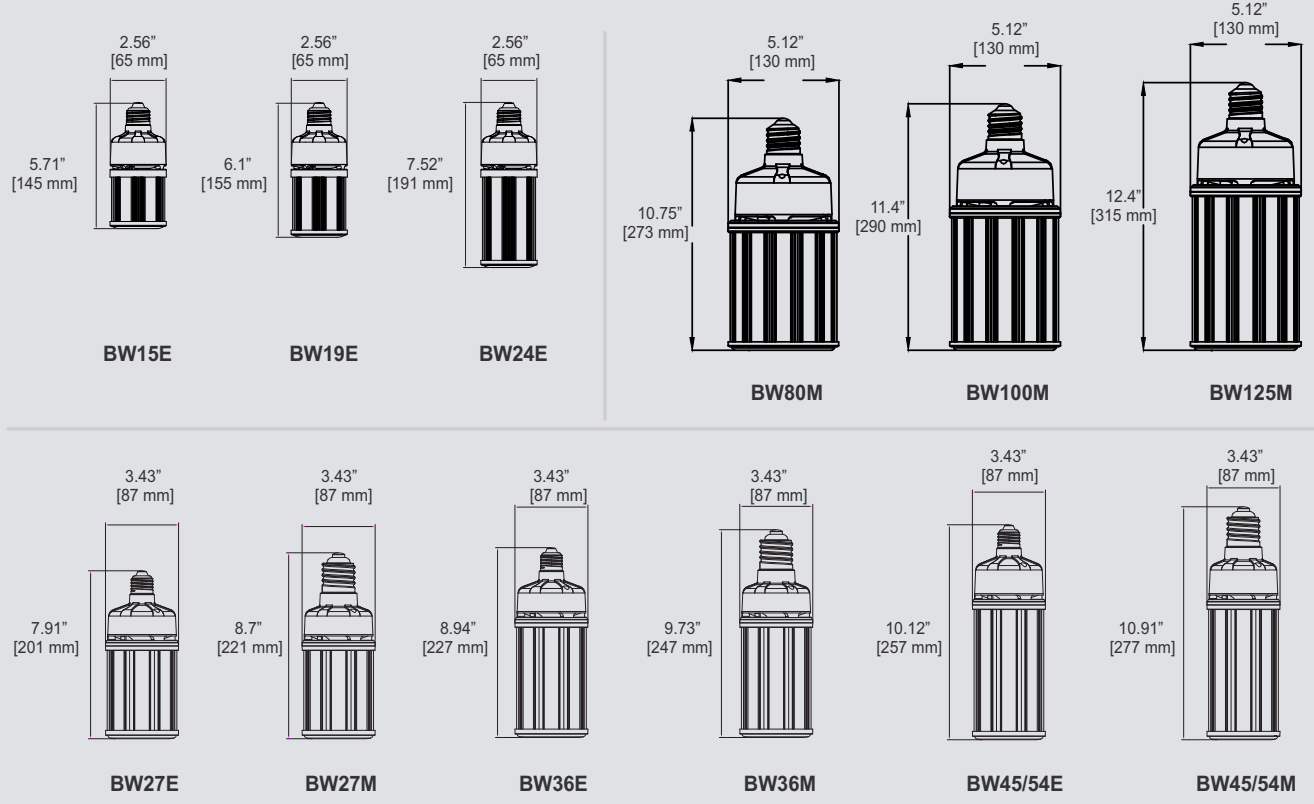
The BW series LED bulb is the most versatile LED bulb for commercial use. Built in surge protection ensures reliable performance in variety of applications.

Ideal for use in recessed lighting, area lights, wall lights, highbay, canopies, and other commercial lighting fixtures.



# BW series

CCT	Models / Lumen									
	BW15	BW19	BW24	BW27	BW36	BW45	BW54	BW80	BW100	BW125
3/5000	1,950	2,170	2,470	2,750	3,100	3,480				
3000K	3,218	4,340	5,126	6,015	9,569	12,170	14,645			
3500K	3,088	4,111	5,264	6,316	9,672	12,303	14,811			
4000K	3,115	4,128	5,325	6,370	9,774	12,437	14,977			
5000K	3,143	4,145	5,386	6,423	9,876	12,570	15,143			
5700K	3,225	4,196	5,571	6,584	10,081	12,836	15,475			

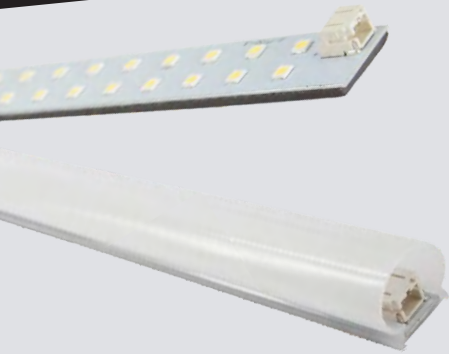


Family	Model	Base	Color Temperature	Diffuser
<b>BW</b>				

<b>Medium Base ONLY:</b>	<b>Medium or Mogul Base:</b>	<b>M</b> E39 Mogul	<b>3000</b> 3000 K	<b>C</b> Clear
<b>15</b> 15 W	<b>19</b> 19 W	<b>27</b> 27 W	<b>3500</b> 3500 K	<b>F</b> Frosted
<b>24</b> 24 W		<b>36</b> 36 W	<b>4000</b> 4000 K	
		<b>45</b> 45 W	<b>5000</b> 5000 K	
		<b>54</b> 54 W	<b>5700</b> 5700 K	
		<b>Mogul Base ONLY:</b>		
		<b>80</b> 80 W		
		<b>100</b> 100 W		
		<b>125</b> 125 W		



\*may not be available in all wattage



- Efficacy: up to 140 LPW
- Lumen Output: 2,450 - 7,050 L
- Wattage: 20 - 50 W



The RKLN Series is a LED Linear Retrofit Kit designed to replace fluorescent tubes in linear lighting fixtures. These LED strips and driver come with a magnetic backing for easy installation. The RKLN Series is available in various wattage, with different number and length of the LED strips.

Ideal for use to replaces traditional fluorescent tubes in a variety of applications on commercial or architectural lighting fixtures including but not limited to offices, lobbies, hallways and conference rooms in schools, libraries, airports, showrooms and hospitality environments.

# RKLN series

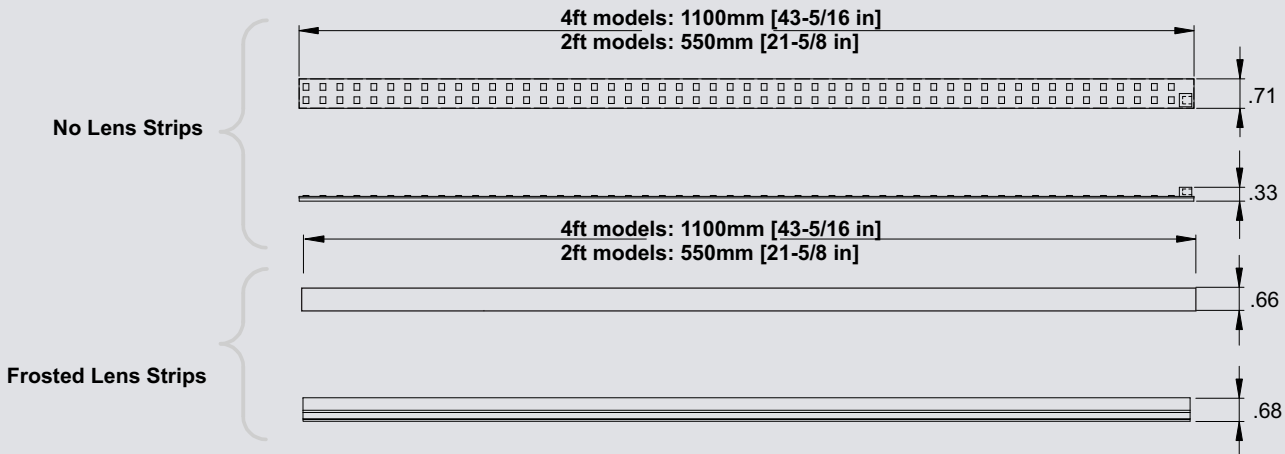
## 2 Ft. Kits

Model	Strip Qty	Watts	Lens	Lumens (LM)
RKLN22F25	2	25 W	Frosted	2950
RKLN22N20	2	20 W	No Lens	2450

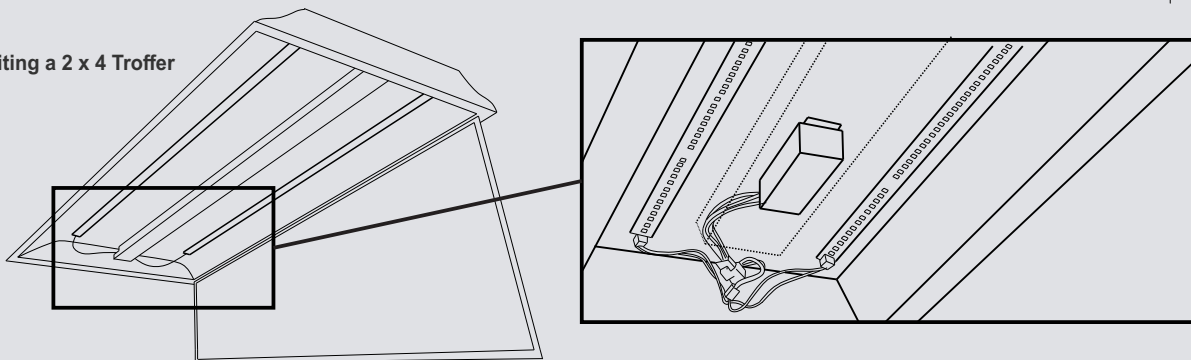
Lumen based on 5000K CCT

## 4 Ft. Kits

Model	Strip Qty	Watts	Lens	Lumens (LM)
RKLN44N50	4	50 W	No Lens	6500
RKLN44F50	4	50 W	Frosted	6450
RKLN34F40	3	40 W	Frosted	5200
RKLN24N50	2	50 W	No Lens	7050
RKLN24F36	2	36 W	Frosted	4150
RKLN24N32	2	32 W	No Lens	4500



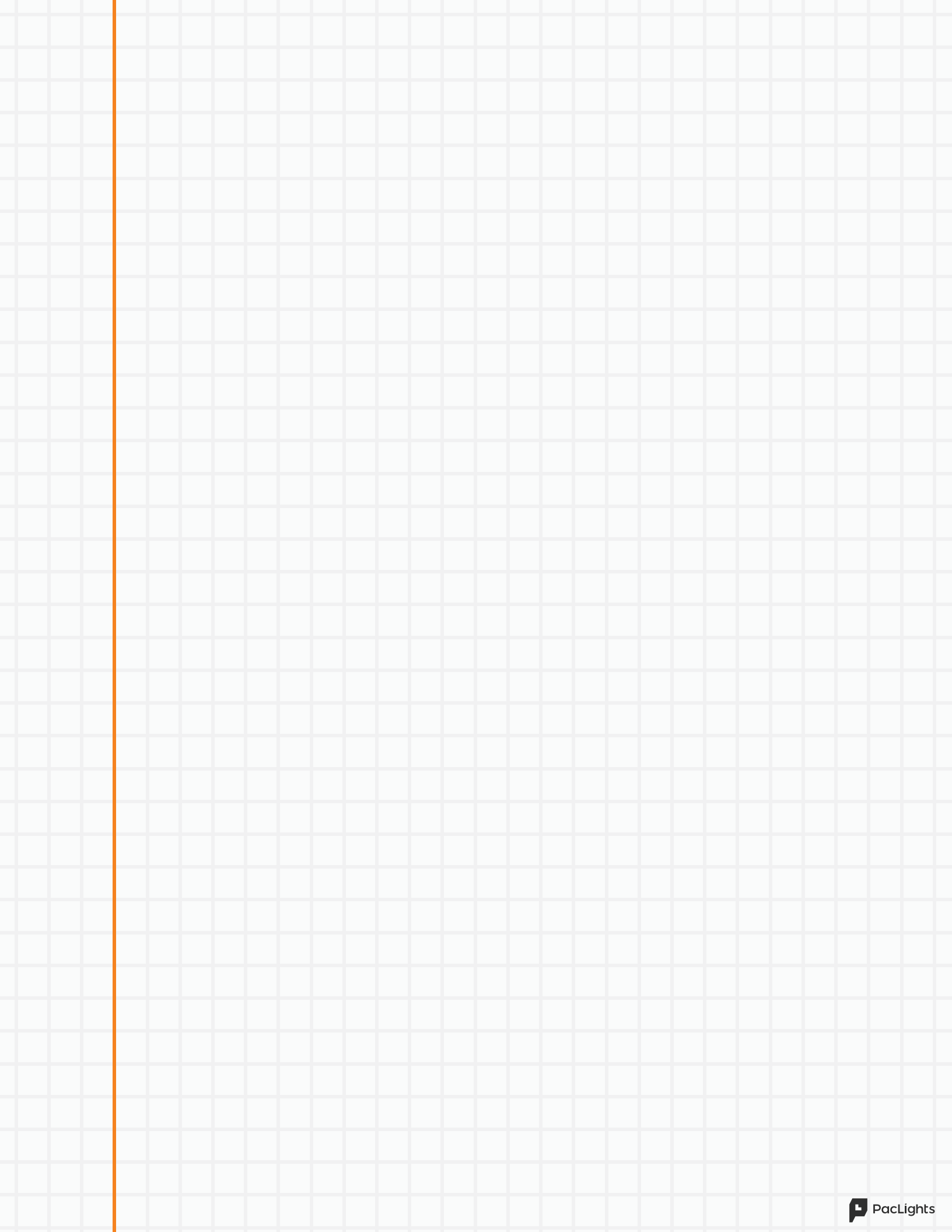
Retrofitting a 2 x 4 Troffer

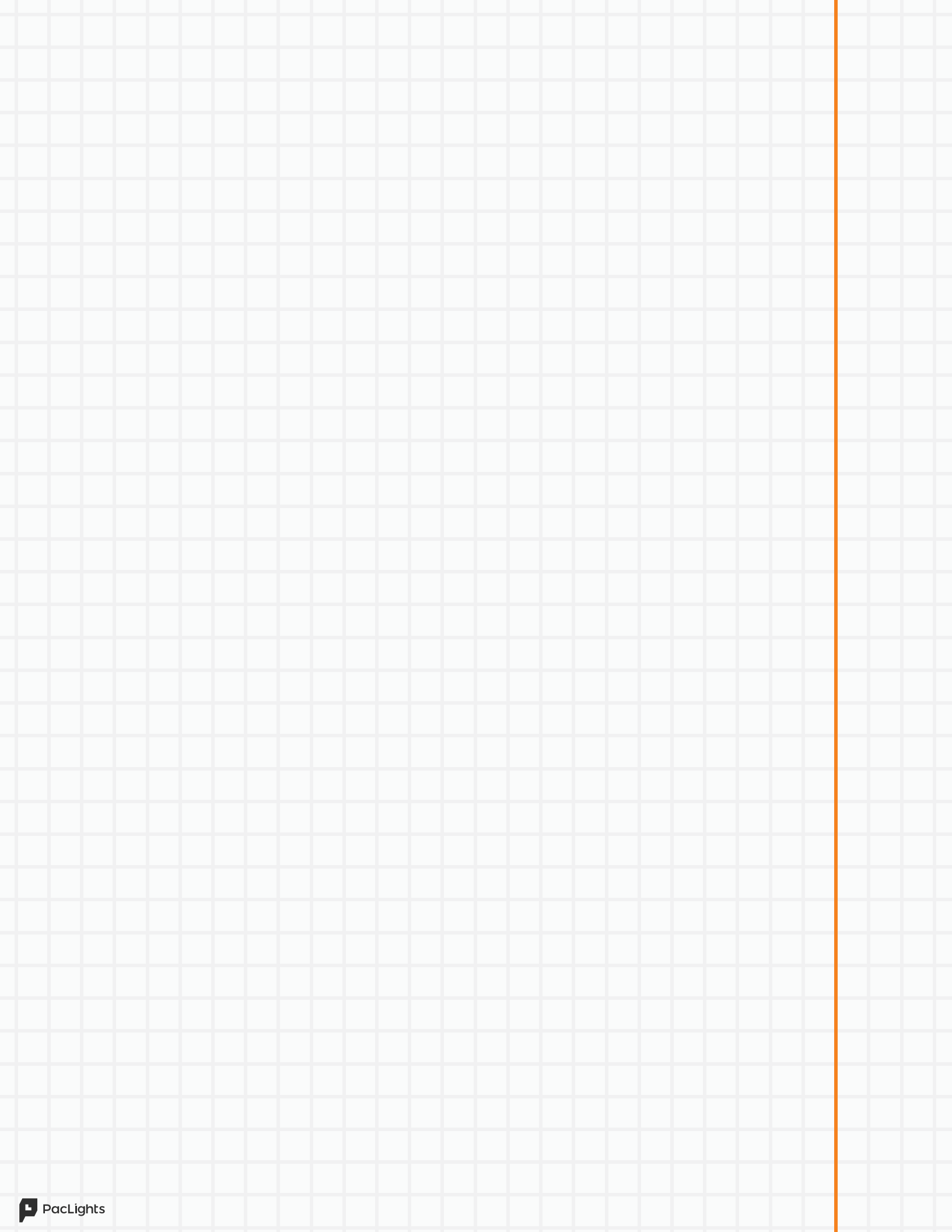


Family	Strips Quantity	Length	Lens	Model	Dimming	Color Temperature
RKLN						
	2	2 2 ft	F Frosted	20 20 W	[blank] Non-dimmable	35 3500 K
	3	4 4 ft	N No Lens	25 25 W	D Dimmable	40 4000 K
	4			32 32 W		45 4500 K
				36 36 W		50 5000 K
				40 40 W		
				50 50 W		









## FREE Lighting Layout Service

Want to see how many luminaires and/or retrofit kits you need for an application? Would you like a bird's eye view of the distribution?

Use our FREE lighting layout service to find out desired foot-candles, reflectances, room size and more to upgrade an application or build a new space with the right product and maximized energy savings.

Submit a Online Request Today  
[www.paclights.com/lighting-layout/](http://www.paclights.com/lighting-layout/)



## Real-time Utility Rebate Tool

Searching for utility commercial and industrial program information and calculating rebate estimates meant spending a lot of time on the computer or phone – sometimes over a week. We got the tool that you, your team, and your customers need to successfully navigate the world of energy efficiency, online, in Real-time.

Get real-time estimates of value for Paclights LED products from 3,000+ utility rebate programs  
[www.paclights.com/rebate/](http://www.paclights.com/rebate/)





PacLights, LLC  
paclights.com



Because PacLights is continually improving its products, specifications are subject to change without notice.

PacLights, the PacLights logo are trademark of PacLights, LLC. All other trademarks are the property of their respective owners

Copyright 2020 PacLights, LLC  
Rev.20/01

Printed in U.S.A

[www.paclights.com](http://www.paclights.com)   
visit our website for more information



scan QRcode with  
phone camera app